

1 KELLY A. JOHNSON
Acting Assistant Attorney General
2 Environment and Natural Resources Division
U.S. Department Of Justice
3 ROBERT D. MULLANEY
Trial Attorney
4 California State Bar No. 116441
Environmental Enforcement Section
5 U.S. Department of Justice
301 Howard Street, Suite 1050
6 San Francisco, CA 94105
Tel: (415) 744-6491
7 Fax: (415) 744-6476
E-mail: Robert.Mullaney@usdoj.gov

FILED
CLERK, U.S. DISTRICT COURT
DEC 13 2005
CENTRAL DISTRICT OF CALIFORNIA
BY *[Signature]* DEPUTY

SCANNED

8 DEBRA WONG YANG
United States Attorney
9 Central District of California
LEON W. WEIDMAN
10 Chief, Civil Division
ROBYN-MARIE LYON MONTELEONE
11 Assistant United States Attorney
California State Bar No. 130005
12 Room 7516, Federal Building
300 North Los Angeles Street
13 Los Angeles, CA 90012
Tel: (213) 894-2458
14 Fax: (213) 894-8782
15 E-mail: Robby.Monteleone@usdoj.gov
16 Attorney for Plaintiff United States of America

Priority
Send
Enter
Closed
JS-5/JS-6
JS-2/JS-3
Scan Only

LODGED

2005 OCT 19 AM 11:43
CLERK U.S. DISTRICT COURT
CENTRAL DIST. OF CALIF.
LOS ANGELES

UNITED STATES DISTRICT COURT
CENTRAL DISTRICT OF CALIFORNIA
WESTERN DIVISION

CV05-7514 AHM (CTx)

UNITED STATES OF AMERICA

Plaintiff,

Civil No.

v.

CONSENT DECREE

SEVEN-UP/RC BOTTLING
COMPANY OF SOUTHERN
CALIFORNIA, INC.,

Defendant.

DOCKETED ON CM
DEC 15 2005
BY *[Signature]* 003

8

TABLE OF CONTENTS

1
2
3
4
5
6
7
8
9
10
11
12
13
14
15
16
17
18
19
20
21
22
23
24
25
26
27
28

I. JURISDICTION AND VENUE -1-

II. APPLICABILITY -2-

III. DEFINITIONS -3-

IV. CIVIL PENALTY -4-

V. COMPLIANCE REQUIREMENTS -5-

VI. REPORTING REQUIREMENTS -9-

VII. STIPULATED PENALTIES -11-

VIII. FORCE MAJEURE -15-

IX. DISPUTE RESOLUTION -16-

X. INFORMATION COLLECTION AND RETENTION -18-

XI. EFFECT OF SETTLEMENT/RESERVATION OF RIGHTS -20-

XII. COSTS -21-

XIII. NOTICES -21-

SCANNED

1 XIV. EFFECTIVE DATE -23-
2
3 XV. RETENTION OF JURISDICTION -23-
4
5 XVI. MODIFICATION -23-
6
7 XVII. TERMINATION -23-
8
9 XVIII. PUBLIC PARTICIPATION -24-
10
11 XIX. SIGNATORIES/SERVICE -24-
12
13 XX. INTEGRATION -25-
14
15 XXI. FINAL JUDGMENT -25-
16
17 XXII. APPENDIX -25-
18
19
20
21
22
23
24
25
26
27
28

SCANNED

SCANNED

1 Concurrently with the lodging of this Consent Decree, Plaintiff
2 United States of America, on behalf of the United States Environmental Protection
3 Agency ("EPA"), has filed a Complaint in this action pursuant to Section 309 of
4 the Clean Water Act (the "Act"), 33 U.S.C. § 1319, alleging that Defendant Seven-
5 Up/RC Bottling Company of Southern California, Inc. ("Defendant" or "Seven-
6 Up") violated the Act at its soft drink bottling facility in Vernon, California (the
7 "Vernon Facility"), and at its soft drink bottling facility in Buena Park, California
8 (the "Buena Park Facility").

9 The Complaint alleges that Defendant: (i) discharged, without a
10 permit, pollutants, including industrial wastes and storm water associated with
11 industrial activity, from the Vernon Facility and the Buena Park Facility into
12 waters of the United States; (ii) violated the terms and conditions of the State
13 Water Resources Control Board's General Permit for Discharges of Storm Water
14 Associated with Industrial Activities Excluding Construction Activities ("General
15 Permit") at its Vernon Facility and Buena Park Facility; and (iii) violated federal
16 pretreatment requirements by discharging low pH wastewater from the Buena Park
17 Facility to the Orange County Sanitation District sewer system.

18 The Parties recognize, and the Court by entering this Consent Decree
19 finds, that this Consent Decree has been negotiated by the Parties in good faith and
20 will avoid litigation between the Parties, and that this Consent Decree is fair,
21 reasonable, and in the public interest.

22 NOW, THEREFORE, before the taking of any testimony, without the
23 adjudication or admission of any issue of fact or law except as provided in Section
24 I below, and with the consent of the Parties, IT IS HEREBY ADJUDGED,
25 ORDERED, AND DECREED as follows:

26 I. JURISDICTION AND VENUE

27 1. This Court has jurisdiction over the subject matter of this action,
28 pursuant to 28 U.S.C. §§ 1331, 1345, and 1355, and Section 309(b) of the Act, 33

1 U.S.C. § 1319(b), and over the Parties. Venue lies in this District pursuant to 33
2 U.S.C. § 1319(b), and 28 U.S.C. §§ 1391(b) and (c) and 1395(a), because the
3 violations alleged in the Complaint occurred in, and Defendant conducts business
4 in, this judicial District. For purposes of this Decree, or any action to enforce this
5 Decree, Defendant consents to the Court's jurisdiction over this Decree or such
6 action and over Defendant, and consents to venue in this judicial District.

7 2. For purposes of this Consent Decree, Defendant agrees that the
8 Complaint states claims upon which relief may be granted pursuant to Section
9 309(b) of the Act.

10 3. Notice of the commencement of this action has been given to the
11 State of California, as required by Section 309(b) of the Act.

12 II. APPLICABILITY

13 4. The obligations of this Consent Decree apply to and are binding upon
14 the United States, and upon Defendant and any successors, assigns, or other
15 entities or persons otherwise bound by law.

16 5. Any transfer of ownership or operation of the Facilities to any other
17 person must be conditioned upon the transferee's agreement: (i) to subject itself to
18 the jurisdiction of this Court as the defendant in this Consent Decree; and (ii) to
19 perform all remaining obligations of Seven-Up required by this Decree, as
20 provided in a written agreement between Seven-Up and the proposed transferee,
21 enforceable by the United States as a third-party beneficiary of such agreement.
22 At least 30 days prior to such transfer, Seven-Up shall provide a copy of this
23 Consent Decree to the proposed transferee. At least 15 days prior to such transfer,
24 Seven-Up shall provide written notice of the prospective transfer, together with a
25 copy of the proposed written agreement, to EPA and the United States, in
26 accordance with Section XIII (Notices) of this Decree. If Seven-Up attempts to
27 transfer ownership or operation of the Facilities without complying with this
28 Paragraph, it shall constitute a violation of this Decree. Seven-Up shall remain

SCANNED

1 d. "Day" shall mean a calendar day unless expressly stated to be a
2 working day. In computing any period of time under this Consent Decree, where
3 the last day would fall on a Saturday, Sunday, or federal holiday, the period shall
4 run until the close of business of the next working day;

5 e. "Defendant" shall mean Seven-Up/RC Bottling Company of
6 Southern California, Inc.;

7 f. "EPA" shall mean the United States Environmental Protection
8 Agency and any of its successor departments or agencies;

9 g. "Facilities" shall mean Defendant's Buena Park Facility and
10 Vernon Facility;

11 h. "Paragraph" shall mean a portion of this Decree identified by
12 an Arabic numeral;

13 i. "Parties" shall mean the United States and Defendant;

14 j. "Section" shall mean a portion of this Decree identified by a
15 Roman numeral;

16 k. "Settling Defendants" shall mean Seven-Up and its directors,
17 officers, and employees, acting in their capacities as such.

18 l. "United States" shall mean the United States of America, acting
19 on behalf of EPA.

20 m. "Vernon Facility" shall mean Defendant's soft drink bottling
21 facility in Vernon, California.

22 **IV. CIVIL PENALTY**

23 9. Within 30 days after the Effective Date of this Consent Decree,
24 Defendant shall pay the sum of \$428,250 as a civil penalty, together with interest
25 accruing from the date on which the Consent Decree is lodged with the Court, at
26 the rate specified in 28 U.S.C. § 1961 as of the date of lodging. Payment shall be
27 made by FedWire Electronic Funds Transfer ("EFT") to the U.S. Department of
28 Justice in accordance with instructions to be provided to Defendant, following

SCANNED

1 lodging of the Consent Decree, by the Financial Litigation Unit of the U.S.
2 Attorney's Office for the Central District of California. At the time of payment,
3 Defendant shall simultaneously send written notice of payment and a copy of any
4 transmittal documentation (which should reference DOJ case number 90-5-1-1-
5 08191 and the civil action number of this case) to the United States in accordance
6 with Section XIII (Notices) of this Decree.

7 10. Defendant shall not deduct the civil penalty of \$428,250, together
8 with accrued interest thereon, paid under this Section in calculating its federal
9 income tax.

10 V. COMPLIANCE REQUIREMENTS

11 11. Designation of Clean Water Act Compliance Director. Within 90
12 days after the Effective Date, Seven-Up shall designate an environmental
13 Compliance Director at the corporate level whose primary responsibility shall be
14 Seven-Up's corporate-wide compliance with the Act. The Compliance Director
15 shall have appropriate professional qualifications and shall directly report to
16 Seven-Up's Chief Executive Officer. The Compliance Director shall have
17 oversight authority and responsibility for Seven-Up's compliance with the Act,
18 including, but not limited to, timely application for and renewal of any applicable
19 National Pollutant Discharge Elimination System ("NPDES") permit for storm
20 water discharges associated with Seven-Up's industrial activities at the Facilities,
21 implementation and updates of Storm Water Pollution Prevention Plans
22 ("SWPPP") and Best Management Practices ("BMP") as required by the
23 applicable NPDES permit, and implementation of pretreatment compliance
24 measures at the Facilities. Within 105 days after the Entry Date, Seven-Up shall
25 provide notice to EPA in accordance with Section XIII (Notices) of this Consent
26 Decree, listing the individual's name, professional qualifications, address,
27 telephone and fax numbers, and e-mail address. If Seven-Up replaces the
28 Compliance Director, Seven-Up shall, within 15 days after the replacement,

1 provide notice to EPA in accordance with Section XIII (Notices) of this Consent
2 Decree, listing the individual's name, professional qualifications, address,
3 telephone and fax numbers, and e-mail address.

4 12. Vernon Facility BMP Plan. Within 45 days after the Effective Date,
5 Seven-Up shall submit to EPA and the Los Angeles County Sanitation District
6 ("District") for approval a BMP Plan, together with a schedule for completion of
7 tasks, for the design and implementation of structural BMPs to prevent the back
8 alley wastewater drain at the Vernon Facility from overflowing to any storm drain
9 or waters of the United States. EPA or the District may require Seven-Up to make
10 modifications to the BMP Plan. Unless otherwise specified by EPA or the
11 District, Seven-Up shall, within 45 days of receipt of comments from EPA and the
12 District, incorporate the modifications into the BMP Plan. After EPA and the
13 District have approved the BMP Plan, Seven-Up shall implement the Plan in
14 accordance with the approved schedule.

15 13. Buena Park Facility pH Compliance Plan.

16 a. Seven-Up's discharges from the Buena Park Facility to the
17 Publicly Owned Treatment Works ("POTW") shall comply with the pH limit of
18 5.0. Compliance shall be determined by the instantaneous result of a single grab
19 sample, as may be taken using a continuous pH monitoring device. In order to
20 achieve compliance with the pH limit of 5.0, Seven-Up shall implement the pH
21 Compliance Plan, which is attached as Appendix A to this Consent Decree, in
22 accordance with the following schedule: (i) complete construction, installation,
23 and start-up of a new pH treatment system and submit a notice of completion to
24 EPA no later than November 30, 2005; (ii) begin implementation of the training
25 component and submit the materials prepared for the training component to EPA
26 no later than December 15, 2005; and (iii) begin implementation of the monitoring
27 component no later than December 15, 2005.

28 b. Beginning on February 15, 2006, and continuing until February

1 15, 2008, Seven-Up shall submit to EPA, as part of the quarterly report submitted
2 pursuant to Paragraph 17(a) of this Consent Decree: (i) the Monthly Wastewater
3 Treatment System Review sheets required under the monitoring component of the
4 pH Compliance Plan; (ii) a daily tabulation of pH sample results for the
5 wastewater effluent during the reporting period that fall within each of the
6 following pH ranges: 4.9 to 4.0, 3.9 to 3.0, 2.9 to 2.0, and 1.9 and below,
7 including a separate category for those sample results covered by Paragraph
8 13.b.(iii)(b) below; (iii) for any pH value below 5.0 listed in the daily tabulations,
9 provide: (a) the relevant sampling data; (b) if Seven-Up claims that the pH value
10 did not reflect the actual pH value of the effluent at the time the sample was taken
11 due to documented mechanical/operational errors (e.g., probe failure) that directly
12 affected the validity of the particular sample, a description of the evidence of the
13 specific mechanical or operational error and all supporting documents; and (c) a
14 description of the corrective action taken and an assessment of its effectiveness;
15 and (iv) a log summarizing the training provided and listing the personnel trained
16 during the reporting period, along with any updated training materials.

17 c. Seven-Up shall retain all continuous pH monitoring data and
18 documents generated as part of the monitoring and training components of the pH
19 Compliance Plan on site until the termination of this Consent Decree pursuant to
20 Section XVII, and shall make them available for inspection by EPA and other
21 regulatory agencies.

22 d. Beginning on February 15, 2006, and continuing until February
23 15, 2008, any discharge to the POTW with a pH lower than 5.0 shall be subject to
24 Stipulated Penalties pursuant to Paragraph 24 of this Consent Decree; provided,
25 however, to the extent that Seven-Up properly and adequately documented its
26 claim under Paragraph 13.b.(iii)(b) that a pH value under 5.0 did not reflect the
27 actual pH value of the effluent at the time the sample was taken due to
28 documented mechanical/operational errors that directly affected the validity of the

PLANNED

1 particular sample, Seven-Up may raise that claim as an affirmative defense to a
2 demand for Stipulated Penalties.

3 14. Facilities Inspection and Response Program. Beginning 30 days after
4 the Effective Date until February 15, 2008, Seven-Up shall implement a Facility
5 Inspection and Response Program for the Facilities to: (a) inspect the outdoor
6 industrial areas at the Vernon Facility and Buena Park Facility on a daily basis
7 when the respective Facility is operating to assess the effectiveness of BMPs and
8 SWPPPs and ensure compliance with the General Permit; (b) respond
9 immediately to any problems or deficiencies noted during inspection; and
10 (c) maintain an inspection log documenting the inspection and any required
11 response. The inspection log shall be maintained on site at each Facility until the
12 termination of this Consent Decree pursuant to Section XVII and shall be
13 available for inspection. The inspection log shall include the following
14 information: (i) the date and time of the inspection; (ii) the person conducting the
15 inspection; (iii) a check list of areas inspected; (iv) observation of any industrial
16 activity or pollution source, including any spill or leakage, that may lead to the
17 storm water collection system or contribute to a non-storm water discharge; (v) the
18 person notified of any observations made pursuant to subparagraph (iv); and
19 (vi) any control measures taken to address the observations made pursuant to
20 subparagraph (iv) and the person performing the control measures. Within 45
21 days after the Effective Date, Seven-Up shall submit a copy of the Facility
22 Inspection and Response Program to EPA in accordance with Section XIII
23 (Notices) of this Consent Decree. In the quarterly report submitted to EPA
24 pursuant to Paragraph 17, Seven-Up shall include a separate section to identify
25 any problems or deficiencies observed during inspections, any control measures
26 taken, and the timing of any responses.

27 15. Non-storm Water Discharges at the Facilities. Except as allowed by
28 the Act, the General Permit or a separate individual NPDES permit, any non-storm

SCANNED

1 water discharges by Defendant, or its employees, agents, or contractors, from
2 either the Vernon Facility or the Buena Park Facility, either directly or indirectly
3 into waters of the United States, is prohibited. Beginning on the Effective Date
4 and continuing until February 15, 2008, any non-storm water discharge in
5 violation of this Paragraph shall be subject to Stipulated Penalties pursuant to
6 Paragraph 25 of this Consent Decree.

7 16. Permits. When any compliance obligation under this Section
8 requires Defendant to obtain a federal, state, or local permit or approval,
9 Defendant shall submit timely applications and timely provide additional
10 information as requested by the permitting authority to make its applications
11 complete, and take all other actions necessary to obtain all such permits or
12 approvals. Defendant may seek relief under the provisions of Section VIII (Force
13 Majeure) of this Consent Decree for any delay in the performance of any such
14 obligation resulting from a failure to obtain, or a delay in obtaining, any permit or
15 approval required to fulfill such obligation, if Defendant has submitted timely and
16 complete applications and has taken all other actions necessary to obtain all such
17 permits or approvals.

18 VI. REPORTING REQUIREMENTS

19 17. Defendant shall submit the following reports:
20 a. Within 30 days after the end of each calendar-year
21 quarter (*i.e.*, by April 30, July 30, October 30, and January 30) after the Effective
22 Date until termination of this Decree pursuant to Section XVII, Defendant shall
23 submit to EPA a quarterly report for the preceding quarter that shall include the
24 status of any construction or compliance measures (e.g., permitting process,
25 anticipated start-up of operation, testing, etc.); completion of milestones; problems
26 encountered or anticipated, together with implemented or proposed solutions;
27 status of permit applications; information required to be submitted to EPA
28 pursuant to Paragraphs 13 and 14 of this Consent Decree; all monitoring results

1 generated by the Facilities regarding storm water discharges; and reports to state
2 and local authorities.

3 b. Defendant shall notify the United States in writing,
4 within ten working days of the day Defendant first becomes aware of a violation
5 or a potential violation of any requirement of this Consent Decree, and shall
6 identify its likely duration, with an explanation of the violation's likely cause and
7 of the remedial steps taken, or to be taken, to prevent or minimize such violation.
8 If the cause of a violation cannot be fully explained at the time the report is due,
9 Defendant shall so state in the report. Defendant shall investigate the cause of the
10 violation and shall then submit an amendment to the report, including a full
11 explanation of the cause of the violation, within 30 days of the day Defendant
12 becomes aware of the cause of the violation. Nothing in this Paragraph or the
13 following Paragraph relieves Defendant of its obligation to provide the notice
14 required by Section VIII (Force Majeure) of this Consent Decree.

15 18. All reports shall be submitted to the persons designated in Section
16 XIII (Notices) of this Consent Decree.

17 19. Each report submitted by Defendant under this Section shall be
18 signed by an official of the submitting party and include the following
19 certification:

20 I certify under penalty of law that I have examined and
21 am familiar with the information submitted in this
22 document and all attachments and that this document and
23 its attachments were prepared either by me personally or
24 under my direction or supervision in a manner designed
25 to ensure that qualified and knowledgeable personnel
26 properly gather and present the information contained
27 therein. I further certify, based on my personal know-
28 ledge or on my inquiry of those individuals immediately
responsible for obtaining the information, that the
information is true, accurate and complete. I am aware
that there are significant penalties for submitting false
information, including the possibility of fines and
imprisonment for knowingly and willfully submitting a
materially false statement.

This certification requirement does not apply to emergency or similar notifications

1 where compliance would be impractical.

2 20. The reporting requirements of this Consent Decree do not relieve
3 Defendant of any reporting obligations required by the Act or implementing
4 regulations, or by any other federal, state, or local law, regulation, permit, or other
5 requirement.

6 21. Any information provided pursuant to this Consent Decree may be
7 used by the United States in any proceeding to enforce the provisions of this
8 Consent Decree and as otherwise permitted by law.

9 VII. STIPULATED PENALTIES

10 22. If Defendant fails to pay the civil penalty required to be paid under
11 Section IV (Civil Penalty) of this Decree when due, Defendant shall pay a
12 Stipulated Penalty of \$5,000 per day for each day that the payment is late. Late
13 payment of the civil penalty shall be made in accordance with Section IV,
14 Paragraph 9, above. Stipulated Penalties shall be paid in accordance with Section
15 VII, Paragraph 32, below. All transmittal correspondence shall state that any such
16 payment is for late payment of the civil penalty due under this Decree, or for
17 Stipulated Penalties for late payment, as applicable, and shall include the
18 identifying information set forth in Paragraph 9, above.

19 23. Defendant shall be liable for Stipulated Penalties to the United States
20 for violations of this Consent Decree as specified below, unless excused under
21 Section VIII (Force Majeure). A violation includes failing to perform any
22 obligation required by the terms of this Decree, including any work plan or
23 schedule approved under this Decree, according to all applicable requirements of
24 this Decree and within the specified time schedules established by or approved
25 under this Decree.

26 24. Discharge Limit. The following Stipulated Penalties shall accrue per
27 violation per day for each violation of the pH limit specified in Paragraph 13 that
28 occurs within a 24-hour period beginning at 12:00 a.m.:

<u>pH Range</u>	<u>Penalty per Violation per Day</u>
4.9 - 4.0	\$1,000
3.9 - 3.0	\$2,000
2.9 - 2.0	\$5,000
1.9 and below	\$7,500

If Seven-Up's sampling indicates multiple violations of the pH limit on a single day, Seven-Up shall be subject to one Stipulated Penalty for that day based on the most serious of the violations.^{1/}

25. Non-storm Water Discharges. The following Stipulated Penalties shall accrue per violation per day for each non-storm water discharge in violation of Paragraph 15 from either the Vernon Facility or the Buena Park Facility to waters of the United States:

<u>Penalty Per Violation Per Day</u>	<u>Period of Noncompliance</u>
\$5,000	1st through 3rd day
\$10,000	4th through 7th day
\$15,000	8th day and beyond

26. Compliance Milestones.

a. The following Stipulated Penalties shall accrue per violation per day for each violation of the requirements identified in Subparagraph b:

<u>Penalty Per Violation Per Day</u>	<u>Period of Noncompliance</u>
\$1,000	1st through 14th day
\$3,500	15th through 30th day
\$10,000	31st day and beyond

b. The applicable compliance requirements are as follows:

^{1/} For example, if monitoring for a Thursday indicated a pH of 4.9 at 11 a.m. and a pH of 2.9 at 4 p.m., a Stipulated Penalty of \$5,000 would apply for that Thursday.

<u>Requirement</u>	<u>Paragraph</u>
Designation of Compliance Director	11
BMP Plan Compliance Schedule Milestones	12
pH Compliance Plan Schedule Milestones	13
Failure to Conduct Inspections	14
Failure to Respond to Observed Deficiencies	14

27. Reporting, Monitoring, and Recordkeeping Requirements. The following Stipulated Penalties shall accrue per violation per day for each violation of the reporting, monitoring, and recordkeeping requirements of Sections V and VI of this Consent Decree:

<u>Penalty Per Violation Per Day</u>	<u>Period of Noncompliance</u>
\$500	1st through 30th day
\$750	31st day and beyond

28. For Defendant's failure to comply with Paragraph 5 or Paragraph 48 through 51 of this Consent Decree:

<u>Penalty per Violation per Day</u>	<u>Period of Noncompliance</u>
\$500	1st through 14th day
\$1,000	15th through 30th day
\$2,000	31st day and beyond

29. Stipulated Penalties under this Section shall begin to accrue on the day after performance is due or on the day a violation occurs, whichever is applicable, and shall continue to accrue until performance is satisfactorily completed or until the violation ceases. Stipulated Penalties shall accrue simultaneously for separate violations of this Consent Decree. Defendant shall pay any Stipulated Penalty within 30 days of receiving the United States' written demand.

30. The United States may, in the unreviewable exercise of its discretion, reduce or waive Stipulated Penalties otherwise due it under this Consent Decree.

1 31. Stipulated Penalties shall continue to accrue as provided in Paragraph
2 29, above, during any Dispute Resolution, with interest on accrued penalties
3 payable and calculated at the rate established by the Secretary of the Treasury,
4 pursuant to 28 U.S.C. § 1961, but need not be paid until the following:

5 a. If the dispute is resolved by agreement or by a decision
6 of EPA that is not appealed to the Court, Defendant shall pay accrued penalties
7 agreed upon or determined to be owing, together with interest, to the United States
8 within 30 days of the effective date of the agreement or the receipt of EPA's
9 decision or order.

10 b. If the dispute is appealed to the Court and the United
11 States prevails in whole or in part, Defendant shall pay all accrued penalties
12 determined by the Court to be owing, together with interest, within 60 days of
13 receiving the Court's decision or order, except as provided in Subparagraph c,
14 below.

15 c. If any Party appeals the District Court's decision,
16 Defendant shall pay all accrued penalties determined to be owing by the appellate
17 court, together with interest, within 15 days of receiving the final appellate court
18 decision.

19 32. Defendant shall, as directed by the United States in its demand, pay
20 Stipulated Penalties owing to the United States by EFT in accordance with Section
21 IV, Paragraph 9, above or by certified or cashier's check in the amount due,
22 payable to the "U.S. Department of Justice," referencing DOJ No. 90-5-1-1-08191,
23 and delivered to:

24 United States Attorney's Office
25 Central District of California
26 Attn: Financial Litigation Unit
27 300 North Los Angeles Street
28 Los Angeles, CA 90012

29 33. Defendant shall not deduct Stipulated Penalties paid under this
30 Section in calculating its federal income tax.

1 34. If Defendant fails to pay Stipulated Penalties according to the terms
2 of this Consent Decree, Defendant shall be liable for interest on such penalties, as
3 provided for in 28 U.S.C. § 1961, accruing as of the date payment became due.

4 35. Subject to the provisions of Section XI (Effect of Settlement/
5 Reservation of Rights) of this Consent Decree, the Stipulated Penalties provided
6 for in this Consent Decree shall be in addition to any other rights, remedies, or
7 sanctions available to the United States for Defendant's violation of
8 this Consent Decree or applicable law. Where a violation of this Consent Decree
9 is also a violation of the Act, Defendant shall be allowed a credit, for any
10 Stipulated Penalties paid, against any statutory penalties imposed for such
11 violation.

12 VIII. FORCE MAJEURE

13 36. A "Force Majeure Event" is any event beyond the control of
14 Defendant, its contractors, or any entity controlled by Defendant that delays the
15 performance of any obligation under this Consent Decree despite Defendant's best
16 efforts to fulfill the obligation. "Best efforts" includes anticipating any potential
17 force majeure event and addressing the effects of any such event (a) as it is
18 occurring and (b) after it has occurred, to prevent or minimize any resulting delay
19 to the greatest extent possible. "Force Majeure" does not include Defendant's
20 financial inability to perform any obligation under this Consent Decree.

21 37. Defendant shall provide notice orally or by electronic or facsimile
22 transmission to the United States as soon as possible, but not later than 72 hours
23 after the time Defendant first knew of, or by the exercise of due diligence, should
24 have known of, a claimed Force Majeure Event. Defendant shall also provide
25 written notice to the United States, as provided in Section XIII (Notices) of this
26 Consent Decree, within seven days of the time Defendant first knew of, or by the
27 exercise of due diligence, should have known of, the event. The notice shall state
28 the anticipated duration of any delay; its cause(s); Defendant's past and proposed

1 actions to prevent or minimize any delay; a schedule for carrying out those
2 actions; and Defendant's rationale for attributing any delay to a Force Majeure
3 Event. Failure to provide oral and written notice as required by this Paragraph
4 shall preclude Defendant from asserting any claim of force majeure, unless such
5 failure was due to a Force Majeure Event.

6 38. If the United States agrees that a Force Majeure Event has occurred,
7 the United States may agree to extend the time for Defendant to perform the
8 affected requirements for the time necessary to complete those obligations. An
9 extension of time to perform the obligations affected by a Force Majeure Event
10 shall not, by itself, extend the time to perform any other obligation. Where the
11 United States agrees to an extension of time, the appropriate modification shall be
12 made pursuant to Section XVI (Modification) of this Consent Decree.

13 39. If the United States does not agree that a Force Majeure Event has
14 occurred, or does not agree to the extension of time sought by Defendant, the
15 United States' position shall be binding, unless Defendant invokes Dispute
16 Resolution under Section IX of this Consent Decree. In any such dispute,
17 Defendant bears the burden of proving, by a preponderance of the evidence, that
18 each claimed Force Majeure Event is a Force Majeure Event, that Defendant gave
19 the notice required by Paragraph 37, that the Force Majeure Event caused any
20 delay Defendant claims was attributable to that event, and that Defendant
21 exercised best efforts to prevent or minimize any delay caused by the event.

22 IX. DISPUTE RESOLUTION

23 40. Unless otherwise expressly provided for in this Consent Decree, the
24 dispute resolution procedures of this Section shall be the exclusive mechanism to
25 resolve disputes arising under or with respect to this Consent Decree. Defendant's
26 failure to seek resolution of a dispute under this Section shall preclude Defendant
27 from raising any such issue as a defense to an action by the United States to
28 enforce any obligation of Defendant arising under this Decree.

1 41. Informal Dispute Resolution. Any dispute subject to dispute
2 resolution under this Consent Decree shall first be the subject of informal
3 negotiations. The dispute shall be considered to have arisen when the United
4 States receives a written Notice of Dispute from Defendant. Such Notice of
5 Dispute shall state clearly the matter in dispute. The period of informal
6 negotiations shall not exceed 20 days from the date the United States receives the
7 Notice of Dispute, unless that period is modified by written agreement. If the
8 Parties cannot resolve a dispute by informal negotiations, then the position
9 advanced by the United States shall be considered binding unless, within 20 days
10 after receiving written notice from the United States terminating informal negotia-
11 tions, Defendant invokes formal dispute resolution procedures as set forth below.

12 42. Formal Dispute Resolution. Defendant shall invoke formal dispute
13 resolution procedures, within the time period provided in the preceding Paragraph,
14 by serving on the United States a written Statement of Position regarding the
15 matter in dispute. The Statement of Position shall include, but may not necessarily
16 be limited to, any factual data, analysis, or opinion supporting Defendant's
17 position and any supporting documentation relied upon by Defendant.

18 43. The United States shall serve its Statement of Position within 30 days
19 of receipt of Defendant's Statement of Position. The United States' Statement of
20 Position shall include, but may not necessarily be limited to, any factual data,
21 analysis, or opinion supporting that position and any supporting documentation
22 relied upon by the United States. The United States' Statement of Position shall
23 be binding on Defendant, unless Defendant files a motion for judicial review of
24 the dispute in accordance with the following Paragraph.

25 44. Defendant may seek judicial review of the dispute by filing with the
26 Court and serving on the United States, in accordance with Section XIII (Notices)
27 of this Consent Decree, a motion requesting judicial resolution of the dispute. The
28 motion must be filed within 10 days of receipt of the United States' Statement of

1 Position pursuant to the preceding Paragraph. The motion shall contain a written
2 statement of Defendant's position on the matter in dispute, including any
3 supporting factual data, analysis, opinion, or documentation, and shall set forth the
4 relief requested and any schedule within which the dispute must be resolved for
5 orderly implementation of the Consent Decree.

6 45. The United States shall respond to Defendant's motion within the
7 time period allowed by the Local Rules of this Court. Defendant may file a reply
8 memorandum, to the extent permitted by the Local Rules.

9 46. In any dispute brought under Paragraph 44, Defendant shall bear the
10 burden of demonstrating that its position clearly complies with this Consent
11 Decree and the Act and that Defendant is entitled to relief under applicable law.
12 The United States reserves the right to argue that its position is reviewable only on
13 the administrative record and must be upheld unless arbitrary and capricious or
14 otherwise not in accordance with law.

15 47. The invocation of dispute resolution procedures under this Section
16 shall not, by itself, extend, postpone, or affect in any way any obligation of
17 Defendant under this Consent Decree, unless and until final resolution of the
18 dispute so provides. Stipulated Penalties with respect to the disputed matter shall
19 continue to accrue from the first day of noncompliance, but payment shall be
20 stayed pending resolution of the dispute as provided in Paragraph 31, above. If
21 Defendant does not prevail on the disputed issue, Stipulated Penalties shall be
22 assessed and paid as provided in Section VII (Stipulated Penalties).

23 X. INFORMATION COLLECTION AND RETENTION

24 48. The United States and its representatives, including attorneys,
25 contractors, and consultants, shall have the right of entry into Defendant's
26 Facilities, at all reasonable times, upon presentation of credentials, to:

- 27 a. monitor the progress of activities required under this Consent Decree;
- 28 b. verify any data or information submitted to the United States in

1 accordance with the terms of this Consent Decree;

2 c. obtain samples and, upon request, splits of any samples taken by
3 Defendant or its representatives, contractors, or consultants;

4 d. obtain documentary evidence, including photographs and similar
5 data; and

6 e. assess Defendant's compliance with this Consent Decree.

7 49. Upon request, Defendant shall provide EPA or its authorized
8 representatives splits of any samples taken by Defendant. Upon request, EPA
9 shall provide Defendant splits of any samples taken by EPA.

10 50. Until the termination of this Consent Decree pursuant to Section
11 XVII, Defendant shall retain, and shall instruct its contractors and agents to
12 preserve, copies of all documents, records, or other information (including docu-
13 ments, records, or other information in electronic form) in its or its contractors' or
14 agents' possession or control, or that come into its or its contractors' or agents'
15 possession, and that relate to Defendant's performance of its obligations under this
16 Consent Decree. This information-retention requirement shall apply regardless of
17 any contrary corporate or institutional policies or procedures. At any time during
18 this information-retention period, the United States may request copies of any
19 documents, records, or other information required to be maintained under this
20 Paragraph.

21 51. At the conclusion of the information-retention period provided in the
22 preceding Paragraph (i.e., upon the termination of this Consent Decree),
23 Defendant shall notify the United States at least 90 days prior to the destruction of
24 any documents, records, or other information subject to the requirements of the
25 preceding Paragraph, and, upon request by the United States, Defendant shall
26 deliver any such documents, records, or other information to EPA. Defendant may
27 assert that certain documents, records, or other information are privileged under
28 the attorney-client privilege or any other privilege recognized by federal law. If

1 Defendant asserts such a privilege, it shall provide the following: (1) the title of
2 the document, record, or information; (2) the date of the document, record, or
3 information; (3) the name and title of each author of the document, record, or
4 information; (4) the name and title of each addressee and recipient; (5) a
5 description of the subject of the document, record, or information; and (6) the
6 privilege asserted by Defendant. However, no documents, records, or other
7 information created or generated pursuant to the requirements of this Consent
8 Decree shall be withheld on grounds of privilege.

9 52. Defendant may also assert that information required to be provided
10 under this Section is protected as Confidential Business Information ("CBI")
11 under 40 C.F.R. Part 2. As to any information that Defendant seeks to protect as
12 CBI, Defendant shall follow the procedures set forth in 40 C.F.R. Part 2.

13 53. This Consent Decree in no way limits or affects any right of entry and
14 inspection, or any right to obtain information, held by the United States pursuant
15 to applicable federal laws, regulations, or permits, nor does it limit or affect any
16 duty or obligation of Defendant to maintain documents, records, or other
17 information imposed by applicable federal or state laws, regulations, or permits.

18 XI. EFFECT OF SETTLEMENT/RESERVATION OF RIGHTS

19 54. This Consent Decree resolves the civil claims of the United States
20 against the Settling Defendants for the violations alleged in the Complaint filed in
21 this action through the date of lodging.

22 55. The United States reserves all legal and equitable remedies available
23 to enforce the provisions of this Consent Decree, except as expressly stated in
24 Paragraph 54. This Consent Decree shall not be construed to limit the rights of the
25 United States to obtain penalties or injunctive relief under the Act or
26 implementing regulations, or under other federal laws, regulations, or permit
27 conditions, except as expressly specified in Paragraph 54. The United States
28 further reserves all legal and equitable remedies to address any imminent and

1 substantial endangerment to the public health or welfare or the environment
2 arising at, or posed by, Defendant's Facilities, whether related to the violations
3 addressed in this Consent Decree or otherwise.

4 56. This Consent Decree is not a permit, or a modification of any permit,
5 under any federal, State, or local laws or regulations. Defendant is responsible for
6 achieving and maintaining compliance with all applicable federal, State, and local
7 laws, regulations, and permits; and Defendant's compliance with this Consent
8 Decree shall be no defense to any action commenced pursuant to any such laws,
9 regulations, or permits. The United States does not, by its consent to the entry of
10 this Consent Decree, warrant or aver in any manner that Defendant's compliance
11 with any aspect of this Consent Decree will result in compliance with provisions
12 of the Act, 33 U.S.C. §§ 1251 - 1387, or with any other provisions of federal,
13 State, or local laws, regulations, or permits.

14 57. This Consent Decree does not limit or affect the rights of Defendant
15 or of the United States against any third party, not a party to this Consent Decree,
16 nor does it limit the rights of any third party, not a party to this Consent Decree,
17 against Defendant, except as otherwise provided by law.

18 58. This Consent Decree shall not be construed to create rights in, or
19 grant any cause of action to, any third party not a party to this Consent Decree.

20 XII. COSTS

21 59. The Parties shall bear their own costs of this action, including
22 attorneys' fees, except that the United States shall be entitled to collect the costs
23 (including attorneys' fees) incurred in any action necessary to collect any portion
24 of the civil penalty or any Stipulated Penalties due but not paid by Defendant.

25 XIII. NOTICES

26 60. Unless otherwise specified herein, whenever notifications,
27 submissions, or communications are required by this Consent Decree, they shall be
28 made in writing and shall be sent by certified mail, express mail, or similar

RECEIVED

1 overnight mail delivery with return receipt requested and addressed as follows:

2 To the United States:

3 Chief, Environmental Enforcement Section
4 Environment and Natural Resources Division
5 U.S. Department of Justice
6 Box 7611 Ben Franklin Station
7 Washington, D.C. 20044-7611
8 Re: DOJ No. 90-5-1-1-08191

9 and

10 Chief, Environmental Enforcement Section
11 Attn: DOJ # 90-5-1-1-08191(Mullaney)
12 United States Department of Justice
13 301 Howard Street, Suite 1050
14 San Francisco, California 94105

15 and

16 Jessica Kao, ORC-2
17 U.S. Environmental Protection Agency, Region IX
18 75 Hawthorne Street
19 San Francisco, California 94105

20 To EPA:

21 Director, Water Division (WTR-1)
22 U.S. Environmental Protection Agency, Region IX
23 75 Hawthorne Street
24 San Francisco, California 94105
25 Attention: Amy Miller

26 To Defendant:

27 President
28 Seven-Up/RC Bottling Company of Southern California, Inc.
3220 E. 26th Street
Vernon, California 90023

With a Copy to:

William M. Nelson
Senior Vice President and General Counsel
Dr. Pepper/Seven-Up Bottling Group, Inc.
5950 Sherry Lane, Suite 500
Dallas, Texas 75225

61. Any Party may, by written notice to the other Party, change its designated notice recipient or notice address provided above.

62. Notices submitted pursuant to this Section shall be deemed submitted

1 upon mailing, unless otherwise provided in this Consent Decree or by mutual
2 agreement of the Parties in writing.

3 XIV. EFFECTIVE DATE

4 63. The Effective Date of this Consent Decree shall be the date upon
5 which this Consent Decree is entered by the Court.

6 XV. RETENTION OF JURISDICTION

7 64. The Court shall retain jurisdiction over this case until termination of
8 this Consent Decree, for the purpose of resolving disputes arising under this
9 Decree or entering orders modifying this Decree, pursuant to Sections IX and
10 XVI, or effectuating or enforcing compliance with the terms of this Decree.

11 XVI. MODIFICATION

12 65. The terms of this Consent Decree may be modified only by a
13 subsequent written agreement signed by the Parties. Where the modification
14 constitutes a material change to any term of this Decree, it shall be effective only
15 upon approval by the Court.

16 XVII. TERMINATION

17 66. After Defendant has complied with all requirements relating to
18 Paragraphs 5 (if applicable), and 11 through 15 of this Consent Decree, and has
19 paid the civil penalty and any accrued Stipulated Penalties as required by this
20 Consent Decree, Defendant may serve upon the United States a Request for
21 Termination, stating that Defendant has satisfied those requirements, together with
22 all necessary supporting documentation.

23 67. Following receipt by the United States of Defendant's Request for
24 Termination, the Parties shall confer informally concerning the Request and any
25 disagreement that the Parties may have as to whether Defendant has satisfactorily
26 complied with the requirements for termination of this Consent Decree. If the
27 United States agrees that the Decree may be terminated, the Parties shall submit,
28 for the Court's approval, a joint stipulation terminating the Decree.

1 68. If the United States does not agree that the Decree may be terminated,
2 Defendant may invoke Dispute Resolution under Section IX of this Decree.
3 However, Defendant shall not seek Dispute Resolution of any dispute regarding
4 termination, under Paragraph 42 of Section IX, until 60 days after service of its
5 Request for Termination.

6 XVIII. PUBLIC PARTICIPATION

7 69. This Consent Decree shall be lodged with the Court for a period of
8 not less than 30 days for public notice and comment in accordance with 28 C.F.R.
9 § 50.7. The United States reserves the right to withdraw or withhold its consent if
10 the comments regarding the Consent Decree disclose facts or considerations
11 indicating that the Consent Decree is inappropriate, improper, or inadequate.
12 Defendant consents to entry of this Consent Decree without further notice.

13 XIX. SIGNATORIES/SERVICE

14 70. Each undersigned representative of Defendant and the Assistant
15 Attorney General for the Environment and Natural Resources Division of the
16 Department of Justice or her delegate certifies that he or she is fully authorized to
17 enter into the terms and conditions of this Consent Decree and to execute and
18 legally bind the Party he or she represents to this document.

19 71. This Consent Decree may be signed in counterparts, and its validity
20 shall not be challenged on that basis.

21 72. Defendant agrees not to oppose entry of this Consent Decree by the
22 Court or to challenge any provision of the Decree, unless the United States has
23 notified Defendant in writing that it no longer supports entry of the Decree.

24 73. Defendant agrees to accept service of process by mail with respect to
25 all matters arising under or relating to this Consent Decree and to waive the formal
26 service requirements set forth in Rules 4 and 5 of the Federal Rules of Civil
27 Procedure and any applicable Local Rules of this Court including, but not limited
28 to, service of a summons.

1
2
3
4
5
6
7
8
9

XX. INTEGRATION

74. This Consent Decree constitutes the final, complete, and exclusive agreement and understanding between the Parties with respect to the settlement embodied in the Decree and supersedes all prior agreements and understandings, whether oral or written, concerning the settlement embodied herein. No other document, nor any representation, inducement, agreement, understanding, or promise, constitutes any part of this Decree or the settlement it represents, nor shall it be used in construing the terms of this Decree.

10
11
12
13
14

XXI. FINAL JUDGMENT

75. Upon approval and entry of this Consent Decree by the Court, this Consent Decree shall constitute a final judgment of the Court as to the United States and Defendant. The Court finds that there is no just reason for delay and therefore enters this judgment as a final judgment under Fed. R. Civ. P. 54 and 58.

15
16
17
18

XXII. APPENDIX

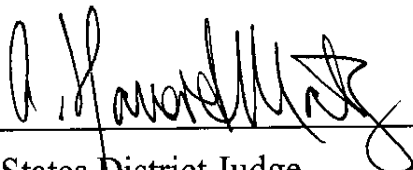
76. The following Appendix is attached to and incorporated into this Consent Decree:

“Appendix A” is the pH Compliance Plan for the Buena Park Facility.

19
20
21
22
23
24
25
26
27
28

ORDER

IT IS SO ORDERED:



United States District Judge

Dated: 12/13/05

1 FOR PLAINTIFF UNITED STATES OF AMERICA:

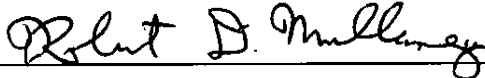
2 KELLY A. JOHNSON
3 Acting Assistant Attorney General
4 Environment and Natural Resources
5 Division
6 Washington, D.C. 20530

7 Date: 10-3-05

8 By: 

9 W. BENJAMIN FISHEROW
10 Deputy Chief
11 Environmental Enforcement Section
12 Environment and Natural Resources
13 Division
14 U.S. Department of Justice

15 Dated: 10-14-05

16 

17 ROBERT D. MULLANEY
18 Trial Attorney
19 Environmental Enforcement Section
20 U.S. Department of Justice
21 301 Howard Street, Suite 1050
22 San Francisco, California 94105
23 Telephone: (415) 744-6491
24
25
26
27
28

1
2
3
4
5
6
7
8
9
10
11
12
13
14
15
16
17
18
19
20
21
22
23
24
25
26
27
28

Dated: Sept. 27, 2005

Nancy J. Marvel for

GRANTA Y. NAKAYAMA
Assistant Administrator
Office of Enforcement and Compliance
Assurance
U.S. Environmental Protection Agency
1200 Pennsylvania Avenue
Mail Code 2201A
Washington, D.C. 20460

SEARCHED

1
2
3
4
5
6
7
8
9
10
11
12
13
14
15
16
17
18
19
20
21
22
23
24
25
26
27
28

Dated: 05 OCT 05



WAYNE NASTRI
Regional Administrator
U.S. Environmental Protection
Agency, Region 9
San Francisco, CA

51-40000-1

OF COUNSEL:

Jessica Kao
Assistant Regional Counsel
U.S. Environmental Protection Agency, Region 9
75 Hawthorne Street
San Francisco, CA 94105

1 FOR DEFENDANT SEVEN-UP/RC BOTTLING COMPANY OF SOUTHERN
2 CALIFORNIA, INC.:

3
4 Dated: Sept. 29, 2005

W.M. Nelson
5 WILLIAM M. NELSON
6 Senior Vice President and General Counsel
7 Seven-Up/RC Bottling Company
8 of Southern California, Inc.
9 3220 E. 26th Street
10 Vernon, California 90023

SCANNED

11
12
13
14
15
16
17
18
19
20
21
22
23
24
25
26
27
28

APPENDIX A

**PH COMPLIANCE PLAN FOR SEVEN-UP/RC BOTTLING COMPANY
OF SOUTHERN CALIFORNIA, BUENA PARK FACILITY**

SCANNED

The pH compliance plan for Seven-Up/RC Bottling Company for Southern California, Inc. ("Seven-Up") shall comprise the following components and be implemented in accordance with the schedules set forth in the Consent Decree between the United States and Seven-Up under the Clean Water Act. Unless otherwise specified, any submission to the U.S. Environmental Protection Agency ("EPA") required under this Appendix shall be made as part of the quarterly report required under the Consent Decree.

1. Wastewater Treatment System Corrective Measures

The Corrective Measures shall consist of: (i) construction, installation and start-up of a new (including otherwise significantly modified) pH treatment system; and (ii) implementation of necessary procedures to ensure the proper operation and maintenance of the new pH treatment system. The Corrective Measures are more specifically described in Attachment 1, inclusive of the diagrams entitled "Proposed Waste Treatment System Layout" and "Waste Treatment System Design Process & Instrumentation Diagram," and any EPA-approved replacement or modifications thereof.

Modifications to the pH treatment system may become necessary from time to time. A "minor modification" is a modification that does not in any way reduce or compromise the functionality and efficiency of the pH treatment system. A "major modification" is any modification that is not a "minor modification." For a minor modification, Seven-Up may proceed with it but must include documentation of the modification in Seven-Up's quarterly report EPA under the Consent Decree. For a major modification, Seven-Up must obtain EPA approval before proceeding with it.

2. Wastewater Treatment System pH Monitoring Component

The Monitoring Component, more specifically described in Attachment 2, shall consist of: (i) daily pH logging, which shall include using a pH chart recorder or similar device to record daily pH sample results, and preparing daily tabulation of any pH sample results that fall within the pH ranges of 4.9 to 4.0, 3.9 to 3.0, 2.9 to 2.0, and 1.9 and below; (ii) daily supervisory review of pH data; (iii) periodic pH probe and equipment maintenance; and (iv) periodic management review of pH compliance and preparation of reports to EPA

3. Wastewater Treatment System Training Component

The Training Component, more specifically described in Attachment 3, shall consist of: (i) an employee training program; (ii) an outside personnel orientation program; and (iii) a training/orientation log program.

ATTACHMENT 1

SEVEN-UP/RC BOTTLING COMPANY OF SOUTHERN CALIFORNIA WASTEWATER TREATMENT SYSTEM

SCANNED

Corrective measures consist of significant modifications to the treatment plant and operation and maintenance of the new system. Implementations of these corrective measures are described below.

Process Description

Changes to the existing Seven-Up/RC Bottling Company of Southern California, Inc. (Seven-Up) wastewater treatment system to ensure consistent and continuous compliance are presented in the Waste Treatment Process & Instrumentation Diagram (P&ID). The drawing shows and describes the wastewater treatment processes and controls and the process sequence to provide the necessary treatment to consistently meet the pH limits, eliminate dry weather flows to the storm drain, and mitigate wet weather flows by capturing them for treatment and subsequent discharge to the sanitary sewer.

Minor modifications to the actual constructed facilities may be necessary based on actual field conditions, but the functionality and process efficiency of the system will not be reduced by any changes to the mechanical, structural, electrical or instrumentation components to meet field conditions. Any changes will be noted to the EPA and documented by submitting a set of record drawings.

Wastewater Treatment System Operating and Maintenance

The new wastewater treatment system operation and maintenance requires additional training and staffing. Under normal conditions, the system pumps, control valves, chemical metering pumps, and mixer operate automatically. Operator intervention is needed for the following normal operations:

- Monitoring caustic feed tank level, ordering chemicals, and monitoring tank filling operations
- Cross-checking and recording the influent and effluent pH meter readings once per shift
- Changing pH and flow meter chart paper once per week
- Weekly pH meter calibration (outside contractor)
- Monthly pH meters maintenance and assessment (outside contractor)

Seven-Up personnel will also be needed for abnormal operation or emergency conditions when an alarm sounds, when there is an equipment malfunction, or when there is discrepancy between the pH meter and the cross-check pH meter. Standard mechanical and electrical equipment will be checked and maintained per the manufacturer's recommendations. The lift station has a 100 percent installed backup pump. Spare parts for other mechanical, electrical equipment, and instrumentation will be provided to minimize any down time and provide for consistent compliance.

The wastewater treatment system quality assurance (QA) centers around assuring proper pH meter function and calibration. As more specifically described in the section on continuous pH monitoring as part of the pH compliance plan and as described above, Seven-Up personnel monitor the operation of the wastewater treatment system and specifically cross-check the pH of the meter readings. The pH meter readings are cross-checked against an independent and laboratory-calibrated pH meter to check for significant differences. An operator check list is presented in the section on continuous pH monitoring and includes reporting alarms, potential violations, and abnormal conditions to the supervisor. A monthly report is also generated for management review. Any violations will be reported to the supervisor and management for immediate action including a report to USEPA and the Orange County Sanitation District (OCSD).

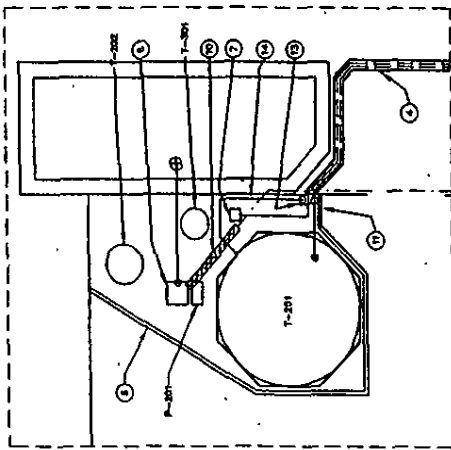


1 2 3 4 5 6 7

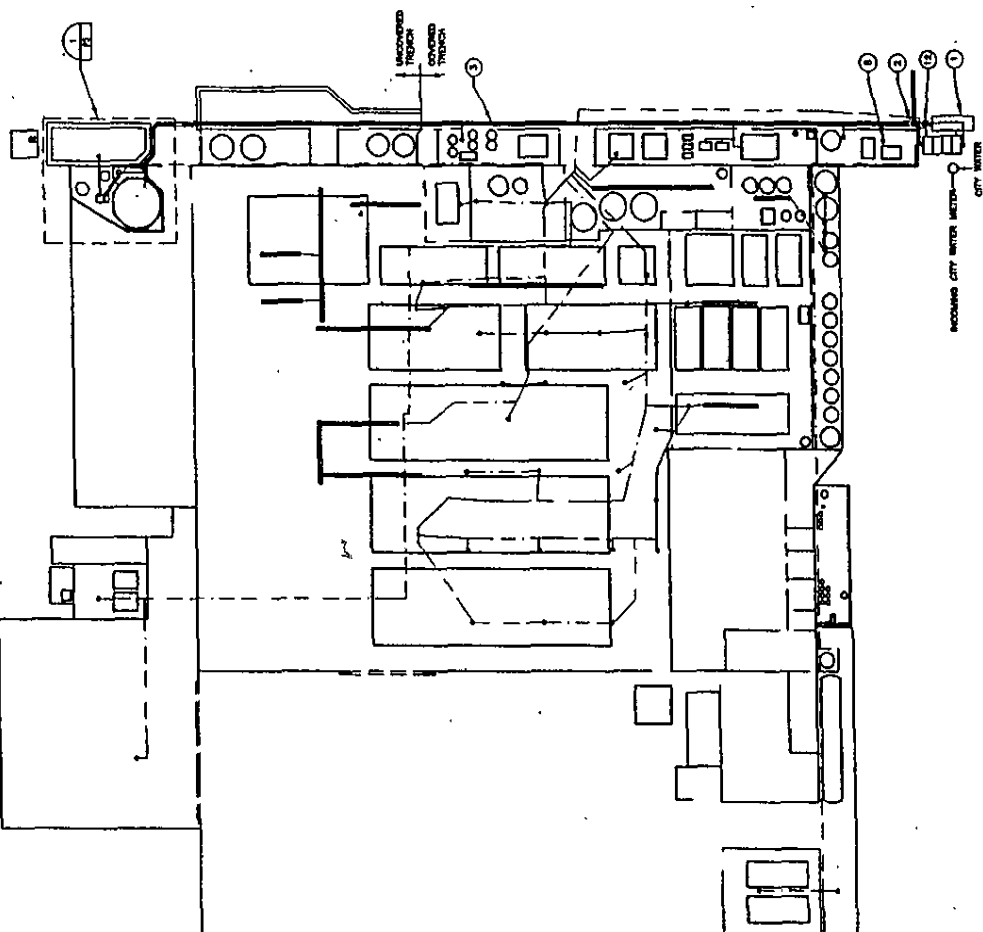
NOTES

1. INSTALL PVC-CAST CONCRETE KEY TRENCH AND P-102 IN LEFT STRUTTER, CONNECT CITY STAGE OF EXISTING C-1 TRENCH TO KEY UP STRUTTER WITH 6" PIPE.
2. CONNECT EXISTING 12" AND 8" SERVICE TRENCHES TO NEW GASKET TO SEAL AND H-20 WATED PLATE TO COVER TRENCH.
3. MOUNT PIPES (TWO 4" EACH PVC PER) IN TRENCH INFLUENT TO EQUALIZATION TANK, DISCHARGE TO SOIL, AND CITY SERVICE USE. CONNECT TO SOIL, AND H-20 WATED PLATE TO COVER TRENCH.
4. INSTALL NEW 6" SERVICE TRENCH BETWEEN EXISTING TRUCK WASH AND AND OUTSIDE BUILDING WALL. PERFORM WELD IN TRENCH. INFLUENT PIPE CONTRIBUTE UP WALL TO TRUCK WASH FOR DISCHARGE INTO TOP OF TANK.
5. EXISTING SKILL, CONFORMANCE BENCH.
6. EXISTING SLUMP AND PUMP, REMOVE DISCHARGE TO EQUALIZATION TANK.
7. REMOVE EXISTING SANDPANS BEDS, OVERFLOW VALVE, AND PIPING TO ALL TRENCHES. WALL AT SAME HEIGHT AS INFLUENT PVC. RELIEF VALVE IN TRENCH TO ALLOW FOR INFLUENT PIPE TO CLAMPED DISCHARGE W/O.
8. CONNECT FLOOR DRAIN TO TRENCH.
9. USE AS FOR TRUCK WASHES AND EQUIPMENT.
10. EXISTING SLUMP AND PUMP DISCHARGE TO EQUALIZATION TANK.
11. CHECKSIN WITH OF EXISTING SKILL, CONFORMANCE WALL LEGS, 8" BORN AT THESE OF TRENCH, FROM
12. INSTALL VALVE BOX BELOW GROUND.
13. INSTALL 2" X 1" X 1/2" TRENCH DRAIN, DISCHARGE TO FLOOR DRAIN AND 6" DISCHARGE TO SOIL.
14. REMOVE 6" PVC SERVICE TRENCH, EQUALIZATION TANK TO TRENCH DRAIN. DISCHARGE TO FLOOR DRAIN AND DISCHARGE OF DISCHARGE INTO BOX.

- LEGEND**
- INCOMING CITY WATER
 - - - PROCESS SEWER
 - ⊕ FLOOR DRAIN
 - EXISTING TRENCH DRAIN



DETAIL
SCALE 1" = 10"



PROJECT MANAGER	BOB VON LANGEN
PROJECT ENGINEER	BRUCE HALLIDAY
PROJECT NUMBER	17713

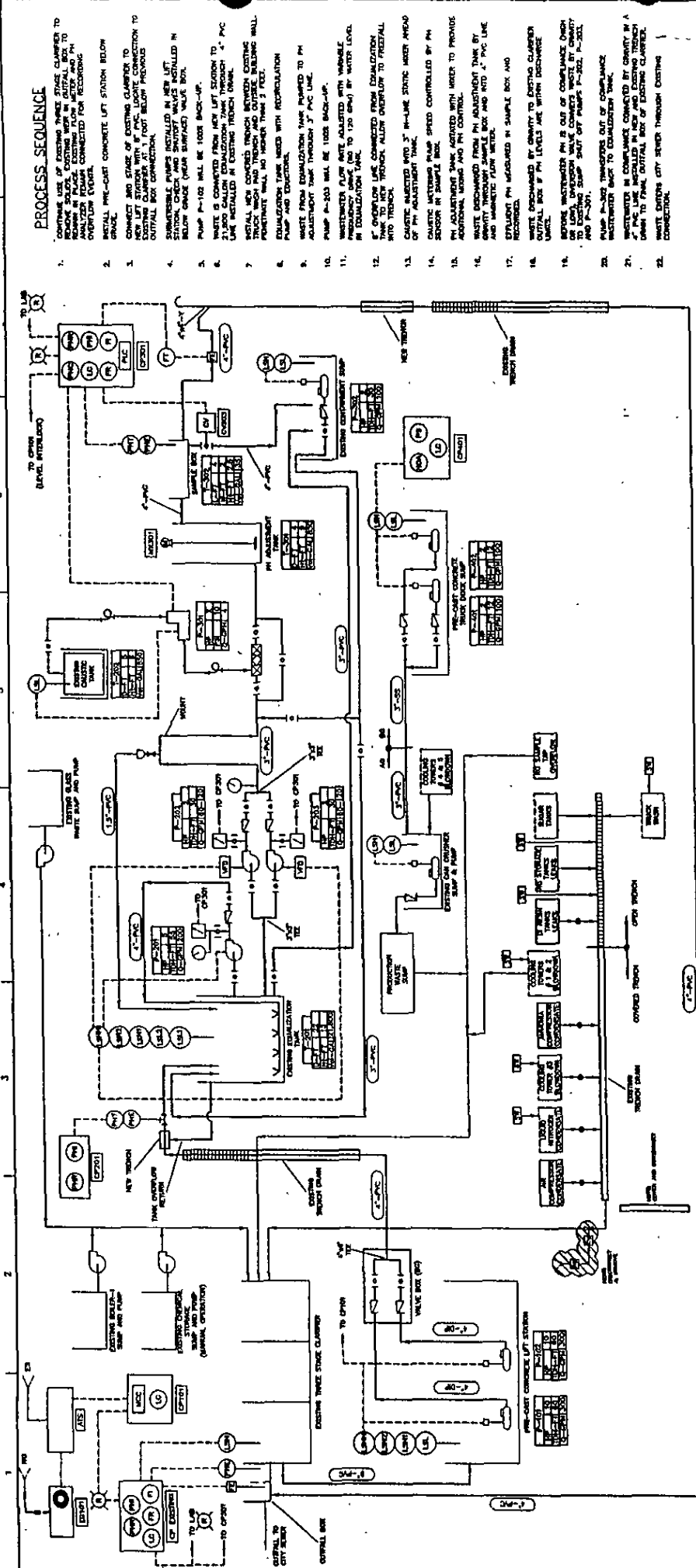
ISSUE	DATE	BY	PERMIT APPLICATION	DESCRIPTION
A	2/23/05	HW	PERMIT APPLICATION	



SEVEN-UP/RC BOTTLING COMPANY OF SOUTHERN CALIFORNIA, INC.

PROPOSED WASTE TREATMENT SYSTEM LAYOUT

SCALE 1" = 20'
FILED 05-27-05
SHEET P5



PROCESS SEQUENCE

1. CONTINUE USE OF EXISTING TRUCK CHAMBER TO RECEIVE WASTEWATER FROM INITIAL BOX TO RECEIVE WASTEWATER FROM PUMP AND PH CONTROL SYSTEM.
2. INSTALL PRE-CAST CONCRETE LIFT STATION BELOW GRADE.
3. CONNECT END STAGE OF EXISTING CHAMBER TO NEW LIFT STATION WITH 4" PVC LOCATE CONNECTION TO EXISTING CHAMBER AND 4" PVC LOCATE CONNECTION TO NEW LIFT STATION.
4. INSTALL NEW COVERED TRENCH BETWEEN EXISTING TRUCK CHAMBER AND NEW LIFT STATION. CHECK AND ADJUST VALVES INSTALLED IN BELOW GRADE (NEAR SURFACE) VALVE BOX.
5. PUMP #1-102 SHALL BE 100% BACK-UP.
6. PUMP #1-103 SHALL BE 100% BACK-UP.
7. 21,000 GALLON DRAINAGE TANK THROUGH 4" PVC LINE INSTALLED IN EXISTING TRENCH DRAIN.
8. INSTALL NEW COVERED TRENCH BETWEEN EXISTING TRUCK CHAMBER AND NEW LIFT STATION. CHECK AND ADJUST VALVES INSTALLED IN BELOW GRADE (NEAR SURFACE) VALVE BOX.
9. PUMP #1-102 SHALL BE 100% BACK-UP.
10. PUMP #1-103 SHALL BE 100% BACK-UP.
11. WASTEWATER FLOW SHALL BE ADJUSTED WITH VALVE IN DRAINAGE TANK TO 1/20 GPM BY WATER LEVEL IN DRAINAGE TANK.
12. 4" OVERFLOW LINE CONNECTED FROM DRAINAGE TANK TO NEW TRENCH. ALLOW OVERFLOW TO PRETRIAL INTO TRENCH.
13. CHANGE INVERTED INTO 3" IN-LINE STATIC METER ABOVE IN DRAINAGE TANK.
14. STATIC METERING PUMP SPEED CONTROLLED BY PH SENSOR IN SAMPLE BOX.
15. PH ADJUSTMENT SHALL BE MADE WITH NEEDLE TO PREPARE APPROPRIATE SAMPLE BOX AND NOT 4" PVC LINE AND MAGNETIC FLOW METER.
16. WASTE DISCHARGE SAMPLE BOX AND NOT 4" PVC LINE AND MAGNETIC FLOW METER.
17. EFFLUENT PH MEASURED IN SAMPLE BOX AND RECORDED.
18. WASTE DISCHARGE BY GRAVITY TO EXISTING CHAMBER. INITIAL BOX # PH LEVELS ARE WITHIN DESIRED RANGE.
19. BEFORE WASTEWATER PH IS OUT OF COMPLIANCE CHECK TO EXISTING TRENCH SHUT OFF PUMPS #1-102, #1-103, AND #1-104.
20. PUMP #1-102 THROUGHOUT OF COMPLIANCE. WASTEWATER BACK TO DRAINAGE TANK.
21. WASTEWATER IN COMPLIANCE CONNECTED BY GRAVITY TO EXISTING CHAMBER THROUGH INITIAL BOX TO EXISTING CHAMBER.
22. WASTE DISCHARGE CITY SEWER THROUGH EXISTING CONNECTION.

DRY WEATHER CONNECTION IMPROVEMENTS

1. TRUCK WHICH BEING EXTENDED APPROXIMATELY 1/2' SOUTH TO CAPTURE LEANAGE FROM PROCESS TRENCH.
2. FLOOR DRAIN INSTALLED TO CAPTURE OIL AND GREASE FROM PROCESS TRENCH. CONDUIT FROM FLOOR DRAIN TO TRUCK DUCK. CONDUIT FROM FLOOR DRAIN TO TRUCK DUCK.
3. DRY WEATHER AND FLOOR DRAIN FLOW FROM TRUCK WHICH AREA TO OPEN TRENCH.

WET WEATHER TRUCK DUCK IMPROVEMENTS

1. INSTALL 4"-20 TRENCH DRAIN ACROSS CHAMBER AREA IN/UP DOWN TO TRUCK DUCK COLLECTION AREA.
2. INSTALL GRAVITY 4" TRUCK DRAIN TRUCK DUCK AREA TO PRETRIAL RUN OFF.
3. REMOVE 1/2" JOE DRAIN ACROSS TOP OF TRUCK DUCK. COVER TO GRADE AT WEST SIDE OF TRUCK DUCK.
4. INSTALL NEW TRUCK DUCK PRE-CAST CONCRETE SLAB WITH SLIP PUMPS (#1-101 & #1-102).

ABBREVIATIONS

AB	ABOVE GRADE
AS	AS LOW AS PRACTICABLE
AV	AUTOMATIC VALVE
CC	CONTROL PANEL
CP	CHECK VALVE
CS	CHECK VALVE
CV	CONTROL VALVE
DA	DRAINAGE AREA
DB	DRAINAGE AREA
DC	DRAINAGE AREA
DE	DRAINAGE AREA
DF	DRAINAGE AREA
DG	DRAINAGE AREA
DH	DRAINAGE AREA
DI	DRAINAGE AREA
DJ	DRAINAGE AREA
DK	DRAINAGE AREA
DL	DRAINAGE AREA
DM	DRAINAGE AREA
DN	DRAINAGE AREA
DO	DRAINAGE AREA
DP	DRAINAGE AREA
DQ	DRAINAGE AREA
DR	DRAINAGE AREA
DS	DRAINAGE AREA
DT	DRAINAGE AREA
DU	DRAINAGE AREA
DV	DRAINAGE AREA
DW	DRAINAGE AREA
DX	DRAINAGE AREA
DY	DRAINAGE AREA
DZ	DRAINAGE AREA
E1	ELECTRICAL SERVICE
E2	ELECTRICAL SERVICE
E3	ELECTRICAL SERVICE
E4	ELECTRICAL SERVICE
E5	ELECTRICAL SERVICE
E6	ELECTRICAL SERVICE
E7	ELECTRICAL SERVICE
E8	ELECTRICAL SERVICE
E9	ELECTRICAL SERVICE
E10	ELECTRICAL SERVICE
E11	ELECTRICAL SERVICE
E12	ELECTRICAL SERVICE
E13	ELECTRICAL SERVICE
E14	ELECTRICAL SERVICE
E15	ELECTRICAL SERVICE
E16	ELECTRICAL SERVICE
E17	ELECTRICAL SERVICE
E18	ELECTRICAL SERVICE
E19	ELECTRICAL SERVICE
E20	ELECTRICAL SERVICE
F1	FLOW METER
F2	FLOW METER
F3	FLOW METER
F4	FLOW METER
F5	FLOW METER
F6	FLOW METER
F7	FLOW METER
F8	FLOW METER
F9	FLOW METER
F10	FLOW METER
F11	FLOW METER
F12	FLOW METER
F13	FLOW METER
F14	FLOW METER
F15	FLOW METER
F16	FLOW METER
F17	FLOW METER
F18	FLOW METER
F19	FLOW METER
F20	FLOW METER
G1	GROUND
G2	GROUND
G3	GROUND
G4	GROUND
G5	GROUND
G6	GROUND
G7	GROUND
G8	GROUND
G9	GROUND
G10	GROUND
G11	GROUND
G12	GROUND
G13	GROUND
G14	GROUND
G15	GROUND
G16	GROUND
G17	GROUND
G18	GROUND
G19	GROUND
G20	GROUND
H1	HEAT TREATMENT
H2	HEAT TREATMENT
H3	HEAT TREATMENT
H4	HEAT TREATMENT
H5	HEAT TREATMENT
H6	HEAT TREATMENT
H7	HEAT TREATMENT
H8	HEAT TREATMENT
H9	HEAT TREATMENT
H10	HEAT TREATMENT
H11	HEAT TREATMENT
H12	HEAT TREATMENT
H13	HEAT TREATMENT
H14	HEAT TREATMENT
H15	HEAT TREATMENT
H16	HEAT TREATMENT
H17	HEAT TREATMENT
H18	HEAT TREATMENT
H19	HEAT TREATMENT
H20	HEAT TREATMENT
I1	INDICATOR
I2	INDICATOR
I3	INDICATOR
I4	INDICATOR
I5	INDICATOR
I6	INDICATOR
I7	INDICATOR
I8	INDICATOR
I9	INDICATOR
I10	INDICATOR
I11	INDICATOR
I12	INDICATOR
I13	INDICATOR
I14	INDICATOR
I15	INDICATOR
I16	INDICATOR
I17	INDICATOR
I18	INDICATOR
I19	INDICATOR
I20	INDICATOR
J1	JUNCTION
J2	JUNCTION
J3	JUNCTION
J4	JUNCTION
J5	JUNCTION
J6	JUNCTION
J7	JUNCTION
J8	JUNCTION
J9	JUNCTION
J10	JUNCTION
J11	JUNCTION
J12	JUNCTION
J13	JUNCTION
J14	JUNCTION
J15	JUNCTION
J16	JUNCTION
J17	JUNCTION
J18	JUNCTION
J19	JUNCTION
J20	JUNCTION
K1	KEY
K2	KEY
K3	KEY
K4	KEY
K5	KEY
K6	KEY
K7	KEY
K8	KEY
K9	KEY
K10	KEY
K11	KEY
K12	KEY
K13	KEY
K14	KEY
K15	KEY
K16	KEY
K17	KEY
K18	KEY
K19	KEY
K20	KEY
L1	LEVEL
L2	LEVEL
L3	LEVEL
L4	LEVEL
L5	LEVEL
L6	LEVEL
L7	LEVEL
L8	LEVEL
L9	LEVEL
L10	LEVEL
L11	LEVEL
L12	LEVEL
L13	LEVEL
L14	LEVEL
L15	LEVEL
L16	LEVEL
L17	LEVEL
L18	LEVEL
L19	LEVEL
L20	LEVEL
M1	METER
M2	METER
M3	METER
M4	METER
M5	METER
M6	METER
M7	METER
M8	METER
M9	METER
M10	METER
M11	METER
M12	METER
M13	METER
M14	METER
M15	METER
M16	METER
M17	METER
M18	METER
M19	METER
M20	METER
N1	NOTES
N2	NOTES
N3	NOTES
N4	NOTES
N5	NOTES
N6	NOTES
N7	NOTES
N8	NOTES
N9	NOTES
N10	NOTES
N11	NOTES
N12	NOTES
N13	NOTES
N14	NOTES
N15	NOTES
N16	NOTES
N17	NOTES
N18	NOTES
N19	NOTES
N20	NOTES
O1	OPEN
O2	OPEN
O3	OPEN
O4	OPEN
O5	OPEN
O6	OPEN
O7	OPEN
O8	OPEN
O9	OPEN
O10	OPEN
O11	OPEN
O12	OPEN
O13	OPEN
O14	OPEN
O15	OPEN
O16	OPEN
O17	OPEN
O18	OPEN
O19	OPEN
O20	OPEN
P1	PUMP
P2	PUMP
P3	PUMP
P4	PUMP
P5	PUMP
P6	PUMP
P7	PUMP
P8	PUMP
P9	PUMP
P10	PUMP
P11	PUMP
P12	PUMP
P13	PUMP
P14	PUMP
P15	PUMP
P16	PUMP
P17	PUMP
P18	PUMP
P19	PUMP
P20	PUMP
Q1	QUIET
Q2	QUIET
Q3	QUIET
Q4	QUIET
Q5	QUIET
Q6	QUIET
Q7	QUIET
Q8	QUIET
Q9	QUIET
Q10	QUIET
Q11	QUIET
Q12	QUIET
Q13	QUIET
Q14	QUIET
Q15	QUIET
Q16	QUIET
Q17	QUIET
Q18	QUIET
Q19	QUIET
Q20	QUIET
R1	RAISED
R2	RAISED
R3	RAISED
R4	RAISED
R5	RAISED
R6	RAISED
R7	RAISED
R8	RAISED
R9	RAISED
R10	RAISED
R11	RAISED
R12	RAISED
R13	RAISED
R14	RAISED
R15	RAISED
R16	RAISED
R17	RAISED
R18	RAISED
R19	RAISED
R20	RAISED
S1	SEWER
S2	SEWER
S3	SEWER
S4	SEWER
S5	SEWER
S6	SEWER
S7	SEWER
S8	SEWER
S9	SEWER
S10	SEWER
S11	SEWER
S12	SEWER
S13	SEWER
S14	SEWER
S15	SEWER
S16	SEWER
S17	SEWER
S18	SEWER
S19	SEWER
S20	SEWER
T1	TANK
T2	TANK
T3	TANK
T4	TANK
T5	TANK
T6	TANK
T7	TANK
T8	TANK
T9	TANK
T10	TANK
T11	TANK
T12	TANK
T13	TANK
T14	TANK
T15	TANK
T16	TANK
T17	TANK
T18	TANK
T19	TANK
T20	TANK
U1	UNDER
U2	UNDER
U3	UNDER
U4	UNDER
U5	UNDER
U6	UNDER
U7	UNDER
U8	UNDER
U9	UNDER
U10	UNDER
U11	UNDER
U12	UNDER
U13	UNDER
U14	UNDER
U15	UNDER
U16	UNDER
U17	UNDER
U18	UNDER
U19	UNDER
U20	UNDER
V1	VALVE
V2	VALVE
V3	VALVE
V4	VALVE
V5	VALVE
V6	VALVE
V7	VALVE
V8	VALVE
V9	VALVE
V10	VALVE
V11	VALVE
V12	VALVE
V13	VALVE
V14	VALVE
V15	VALVE
V16	VALVE
V17	VALVE
V18	VALVE
V19	VALVE
V20	VALVE
W1	WATER
W2	WATER
W3	WATER
W4	WATER
W5	WATER
W6	WATER
W7	WATER
W8	WATER
W9	WATER
W10	WATER
W11	WATER
W12	WATER
W13	WATER
W14	WATER
W15	WATER
W16	WATER
W17	WATER
W18	WATER
W19	WATER
W20	WATER
X1	EXHAUST
X2	EXHAUST
X3	EXHAUST
X4	EXHAUST
X5	EXHAUST
X6	EXHAUST
X7	EXHAUST
X8	EXHAUST
X9	EXHAUST
X10	EXHAUST
X11	EXHAUST
X12	EXHAUST
X13	EXHAUST
X14	EXHAUST
X15	EXHAUST
X16	EXHAUST
X17	EXHAUST
X18	EXHAUST
X19	EXHAUST
X20	EXHAUST
Y1	YIELD
Y2	YIELD
Y3	YIELD
Y4	YIELD
Y5	YIELD
Y6	YIELD
Y7	YIELD
Y8	YIELD
Y9	YIELD
Y10	YIELD
Y11	YIELD
Y12	YIELD
Y13	YIELD
Y14	YIELD
Y15	YIELD
Y16	YIELD
Y17	YIELD
Y18	YIELD
Y19	YIELD
Y20	YIELD
Z1	ZONE
Z2	ZONE
Z3	ZONE
Z4	ZONE
Z5	ZONE
Z6	ZONE
Z7	ZONE
Z8	ZONE
Z9	ZONE
Z10	ZONE
Z11	ZONE
Z12	ZONE
Z13	ZONE
Z14	ZONE
Z15	ZONE
Z16	ZONE
Z17	ZONE
Z18	ZONE
Z19	ZONE
Z20	ZONE

WASTE TREATMENT SYSTEM DESIGN
PROCESS & INSTRUMENTATION DIAGRAM
SCALE: NONE
SHEET 1

SEVEN-UP/PC BOTTLING COMPANY OF SOUTHERN CALIFORNIA, INC.

PROJECT NUMBER	21712
DATE	
ISSUE	
DESCRIPTION	

PROJECT NUMBER	21712
DATE	
ISSUE	
DESCRIPTION	

HDR

ATTACHMENT 2

SEVEN-UP/RC BOTTLING COMPANY OF SOUTHERN CALIFORNIA WASTEWATER TREATMENT SYSTEM PH MONITORING COMPONENT

SCANNED

This attachment describes the pH monitoring program for Seven-Up/RC Bottling Company of Southern California, Inc. (Seven-Up). The purpose of the pH monitoring program is to ensure development and maintenance of a continuous pH monitoring system for compliance monitoring. The pH monitoring program consists of:

- The operator filling out a daily log sheet on a once per shift basis
- Supervisory review of the log on a daily basis and preparation of a monthly summary report
- Weekly pH probe maintenance by an outside contractor and monthly pH equipment condition assessment by an outside contractor
- Monthly management review of the report unless there is a near violation or violation

Once per shift, operator reviews wastewater treatment system operation according to the attached log sheet. The operator completes the log sheet in full, and notifies the supervisor in the event of a pH violation, alarm event, or abnormal condition. Abnormal conditions include, but are not limited to, differences between visual observations and instrument readings, differences between independent pH readings and instrument readings, if the diversion valve is open, or an alarm condition. Any abnormal condition is noted on the daily log sheet and a supervisor notified. The Seven-Up operator reviews the pH readings from the previous day and notes any near violations or actual violations. A near violation is defined as a pH reading less than 6.1, but greater than 6.0. It will be the employee's responsibility to note the near violation(s) and report the incidence to a supervisor.

In the event of an actual violation, pH reading less than 5.0 for purposes of complying with Federal requirements, the operator notes the violation(s) on the log sheet, confirms that the flow is diverted to the wastewater treatment area sump and immediately reports the incidence to a supervisor. It is the supervisor's responsibility to verify that the problem is properly solved and the discharge pH is in compliance, and report the violation to Seven-Up management for reporting to the U.S.EPA. The report shall include a daily tabulation of five-minute pH data for the following pH ranges: 4.9 to 4.0, 3.9 to 3.0, 2.9 to 2.0, and 1.9 and below. The supervisor is also responsible for preparing the monthly wastewater treatment system summary. The summary consists of the attached monthly report sheet, attachments from all outside contractor reports for the same time period, and recommendations for any equipment or operating procedure improvements. The monthly summary will be reviewed by the plant manager.

M:\Projects\201120.Seven-UP-RC\21712 Prelim Design N Reg Apprvls\EPA Submits\Aug Submit\Mntng Prog Doc

ATTACHMENT 3

SEVEN-UP/RC BOTTLING COMPANY OF SOUTHERN CALIFORNIA WASTEWATER TREATMENT SYSTEM TRAINING COMPONENT

50451616

Employee Training and Documentation

Seven-Up/RC Bottling Company of Southern California, Inc. (Seven-Up) will ensure that all Seven-Up personnel will be trained to implement the appropriate waste management practices relevant to their positions. All training activities will be logged and a copy of the log, along with any updated training materials, will be included in the quarterly report to USEPA. The log will include the date of training, person responsible for conducting the training, a short description of the training, and the name of the employees/contractor employee receiving training. Training materials will include an operations and maintenance manual, checklists for various operations, and training records. Seven-Up personnel will receive an initial on-the-job training during new system start-up and formal training within the first two months of operations. Formal training will be videotaped and then used for refresher training. Annual refresher training will be given for personnel responsible for the wastewater treatment system operations. Any new Seven-Up employee with wastewater treatment system responsibilities will be required to watch the formal training video and then given a "hands-on" training session by their supervisor. At least two (2) employees per shift will have the appropriate waste management training. Annually, the wastewater treatment system operations and maintenance procedures will be reviewed and changes made as necessary to the operations and maintenance manual.

Outside Personnel Training and Documentation

Outside contracted personnel will be given a system orientation by Seven-Up personnel. The orientation will review the wastewater treatment system basic operations, recordation of pH meter calibrations and caustic tank filling procedures. The orientation will also instruct outside contracted personnel with the proper procedures to respond to an alarm condition. Outside personnel will be required to submit a verbal and written report prior to leaving the site. All contracted personnel must have permission and orientation prior to working on the system. An annual system orientation will be given to outside vendors to describe any significant changes in their procedures or any wastewater treatment system operations that may impact their activities. All orientation activities, including the date of the orientation, a short description of the orientation provided, and a list of personnel receiving the orientation, shall be recorded in an orientation log. A copy of the orientation log, along with any updated orientation materials, shall be included in the quarterly report to USEPA.