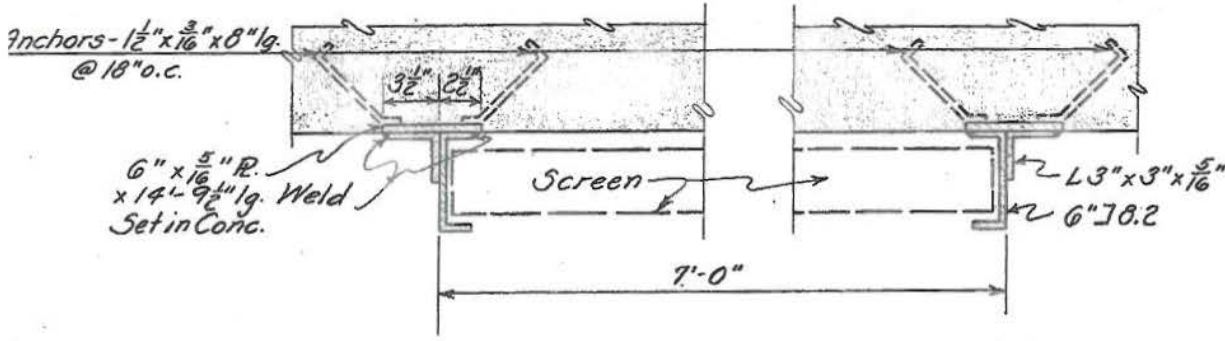


**DETAIL OF SCREEN GUIDES**

SCALE:  $\frac{1}{2}'' = 1'-0''$   
 3 REQ'D AS SHOWN  
 3 REQ'D OPP. HAND.

**DETAIL OF SCREEN**

SCALE:  $1'' = 1'-0''$



**SECTION E-E**

SCALE:  $1'' = 1'-0''$

**MERCURY UNIT POWER PLANT**

			T7-3	
			AK-225	
<b>DETAILS OF INTAKE PIPES          SCREEN HOUSE          PORTSMOUTH STEAM PLANT</b>			<b>PUBLIC SERVICE COMPANY OF NEW HAMPSHIRE</b>	
<b>NEPSCO SERVICES, INC.</b> ENGINEERING DEPARTMENT			<b>544-36</b>	
SCALE SHOWN			DATE 6-21-48	
TRASH RACK	8/12/02			
	7-14-48	B.W.F.		
	6-29-48			
	4-25-48			
VISION	DATE	CHKD		
S.F.		CHKD.		
S.R.				
M.		APPR.		

T7-

MAN	PHM	4-24-51	PUBLIC SERVICE CO. OF N. H. PROJECT NO. 2 JACKSON & MORELAND, ENGINEERS	BOSTON	PORTSMOUTH SCHILLER ST - NEW YORK
NUMBER	144	4-23-51			
DATE	4/24/51				
Co. of N. H. -22-1951			SCREEN HOUSE MISCELLANEOUS STEEL		
CMA 4/24/51 PROJECT MANAGER			RECORD NUMBER 4592	SCALE <i>as noted</i> IN. = 1 FOOT	592-B-10

DA-592-2

AR-226