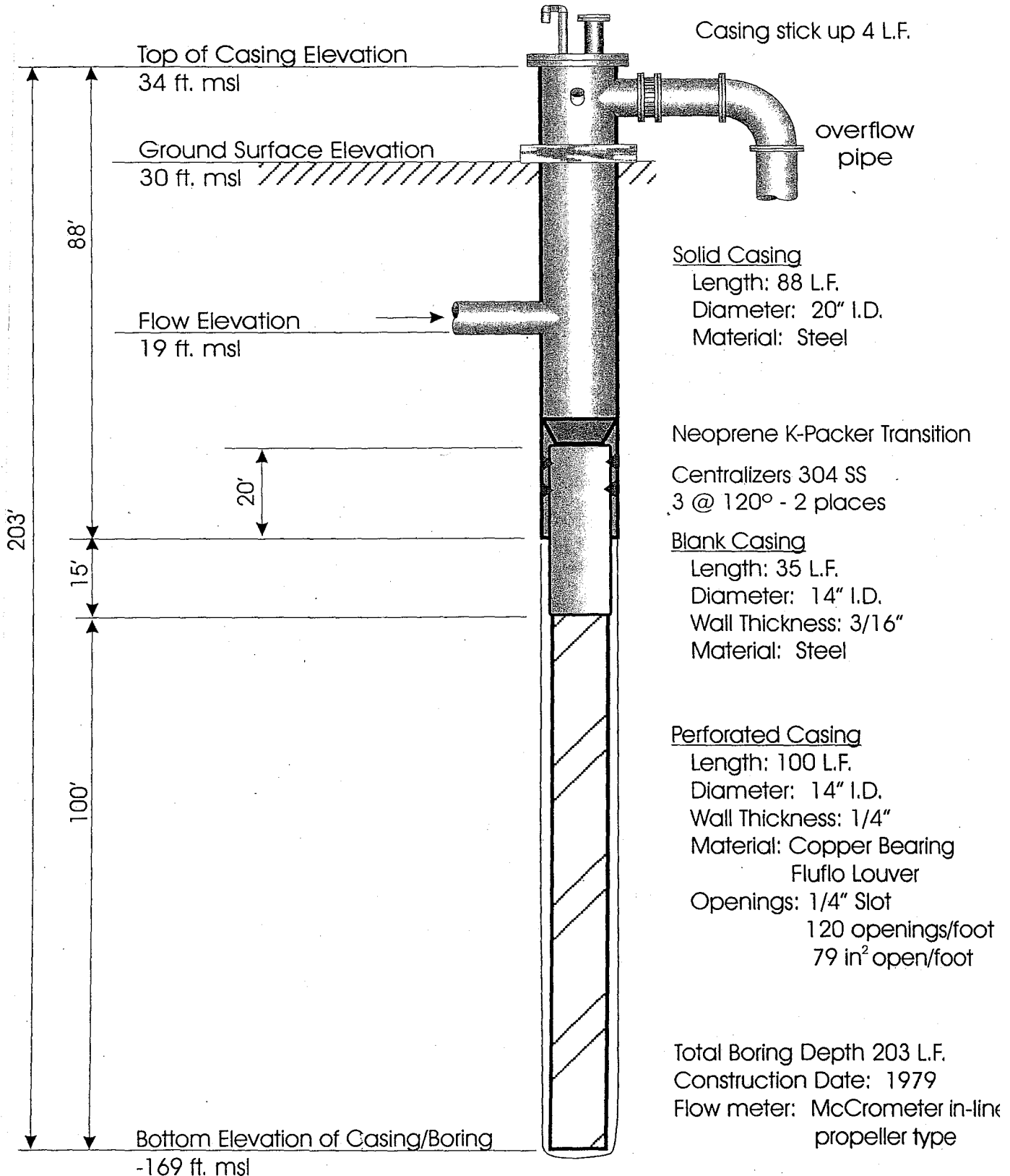
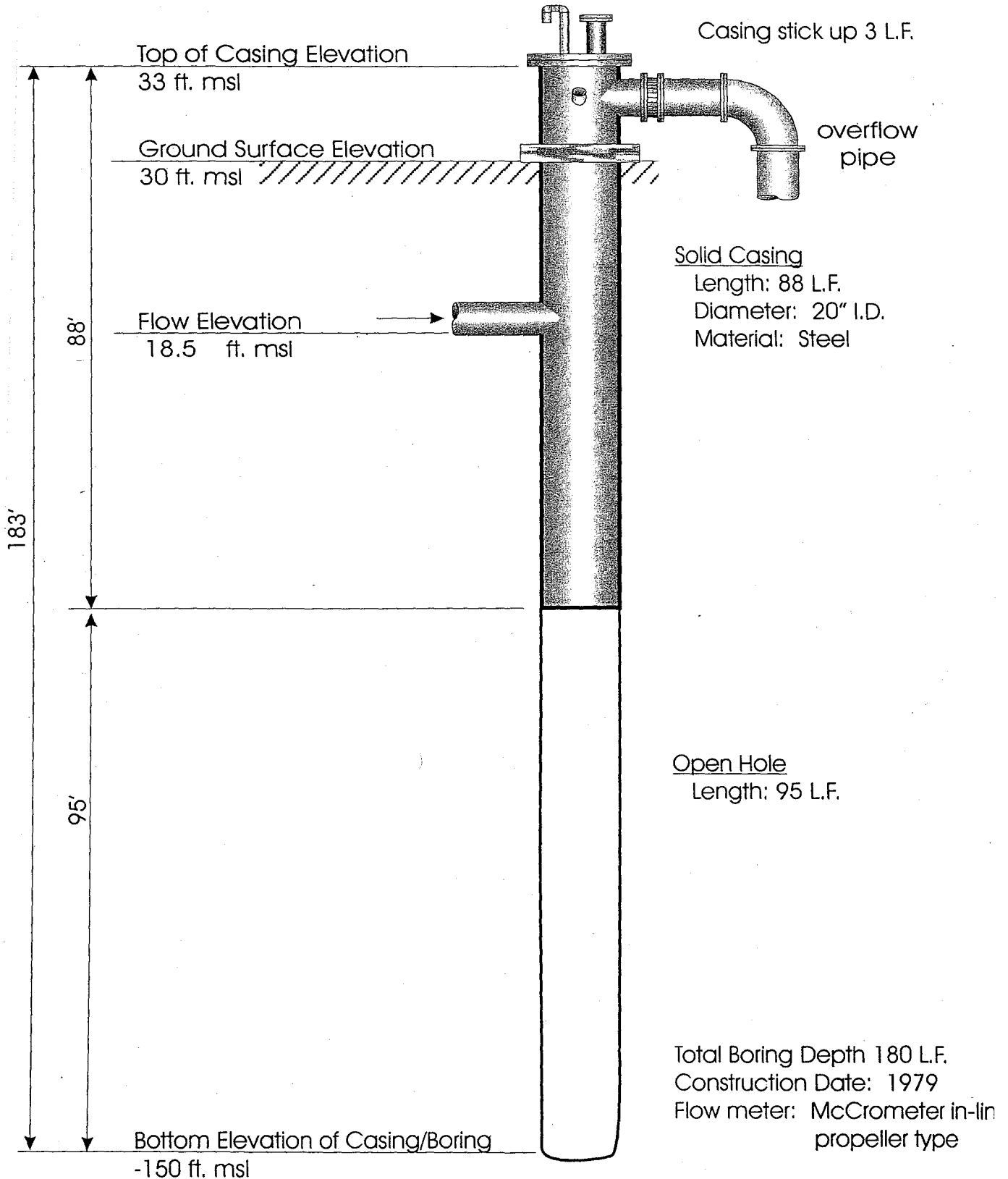


APPENDIX A - INJECTION WELL SCHEMATICS

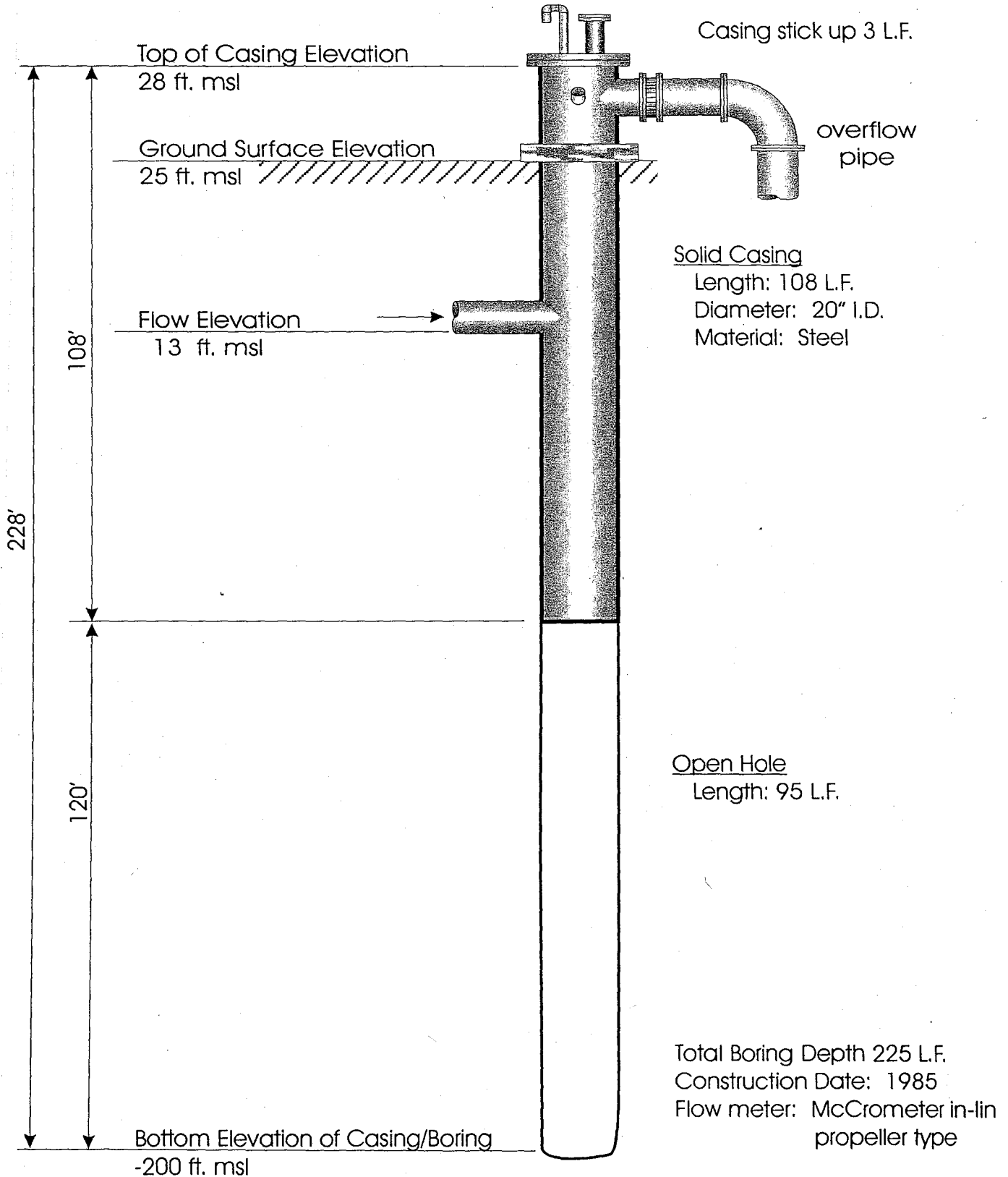
Lahaina Wastewater Reclamation Facility Injection Well No. 1



Lahaina Wastewater Reclamation Facility Injection Well No. 2



Lahaina Wastewater Reclamation Facility Injection Well No. 3



Lahaina Wastewater Reclamation Facility Injection Well No. 4

