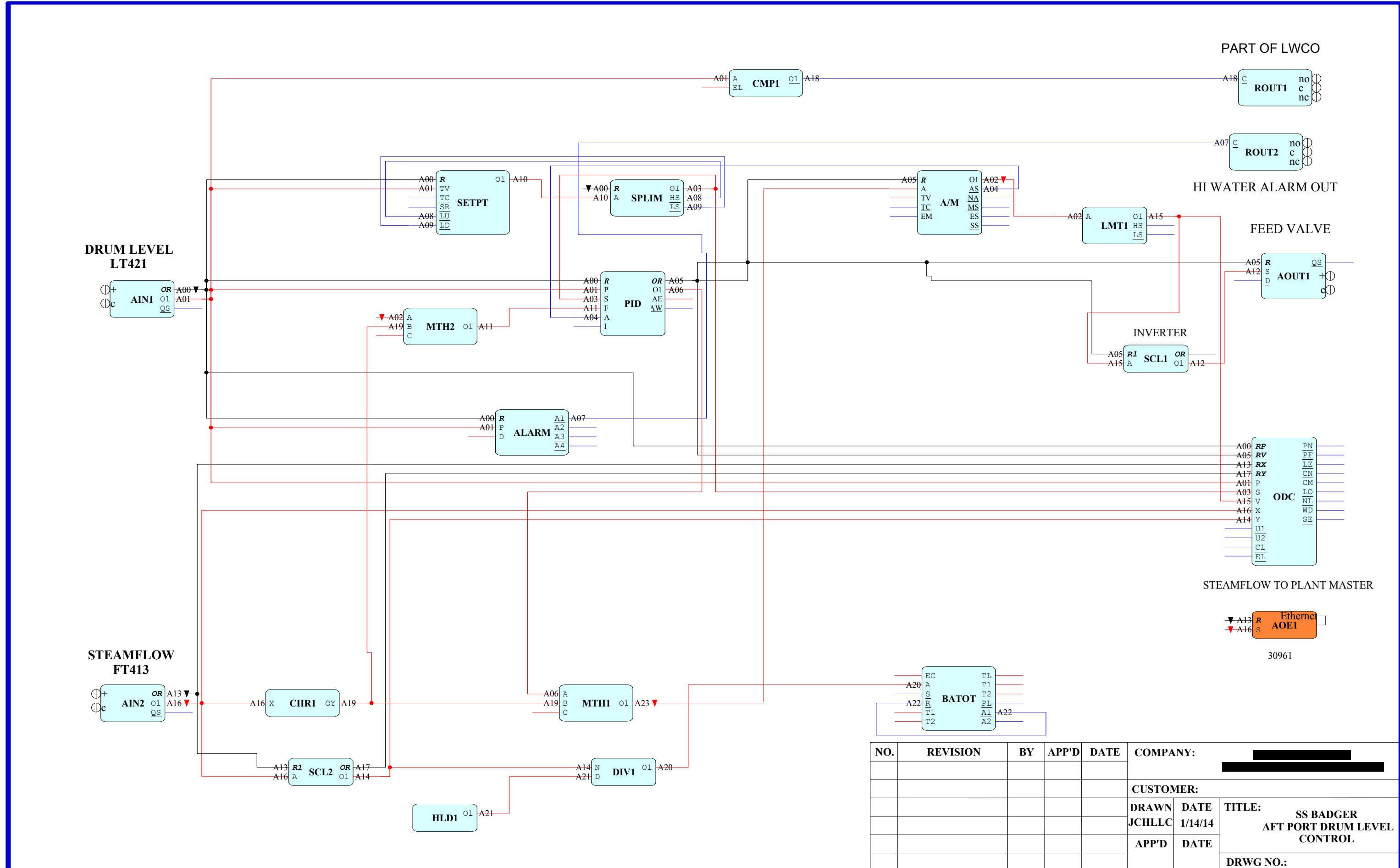


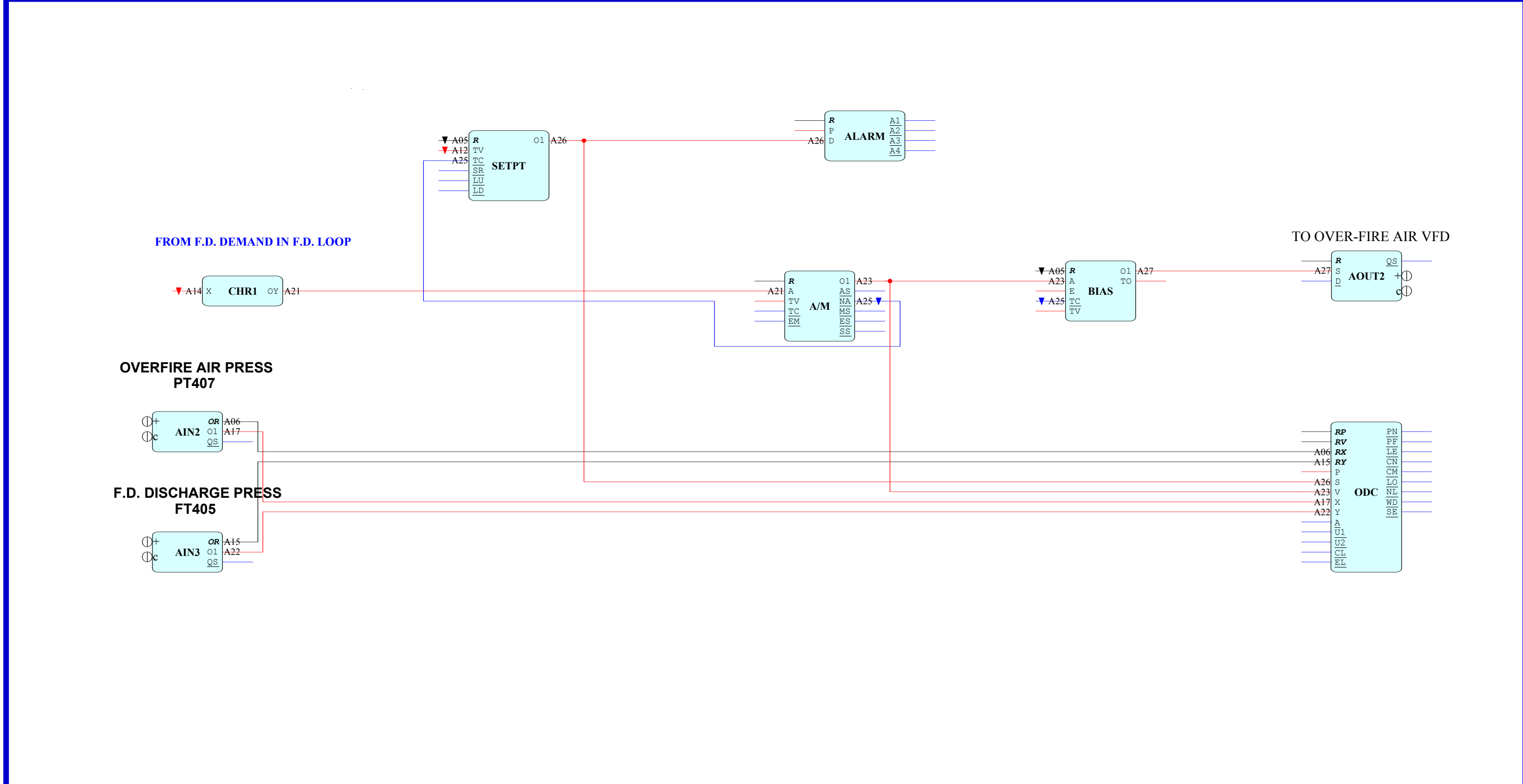
CONTAINS CONFIDENTIAL BUSINESS INFORMATION



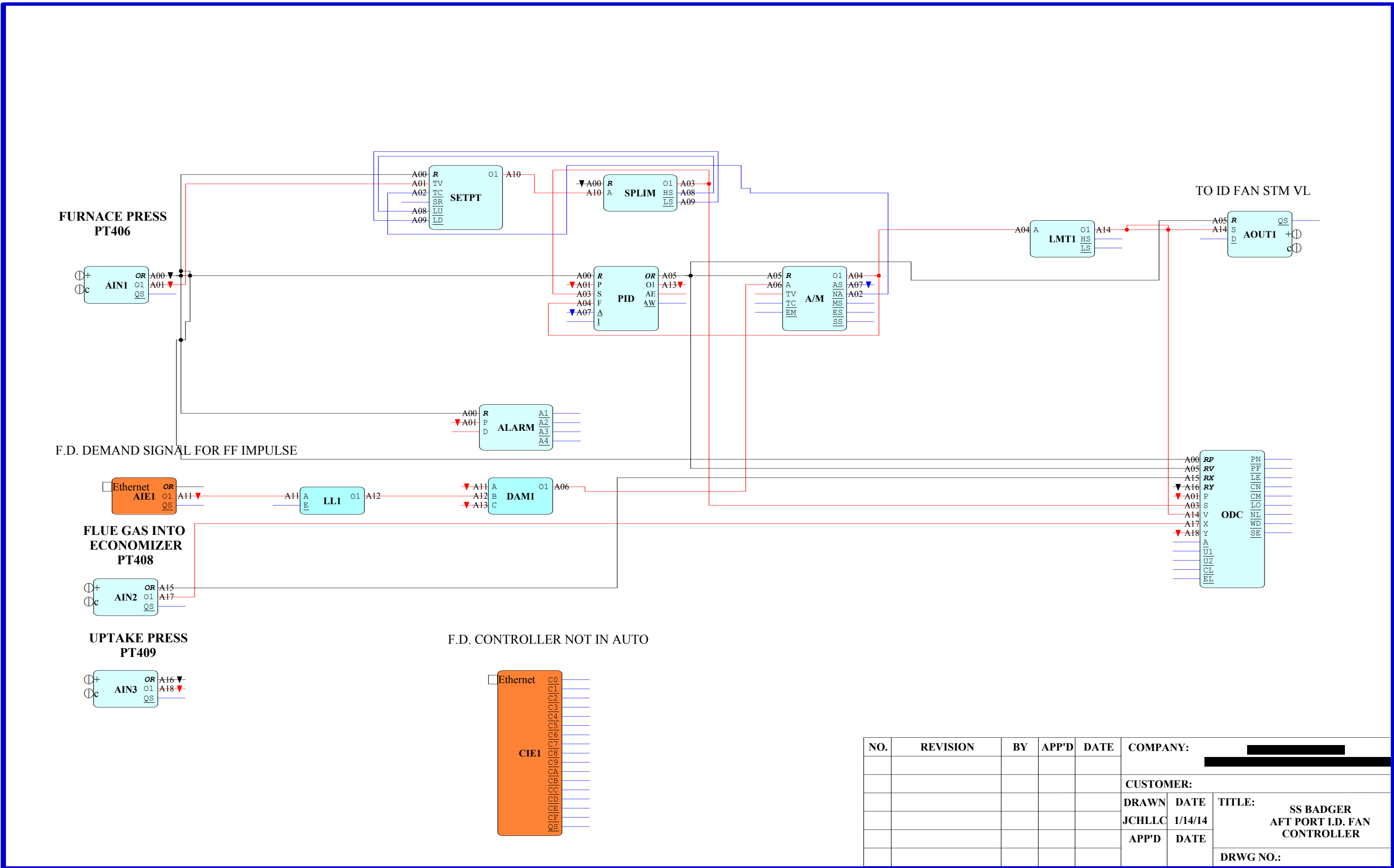
NO.	REVISION	BY	APP'D	DATE	COMPANY:	CUSTOMER:		
						[Redacted]		
						DRAWN	DATE	TITLE:
						JCHLLC	1/14/14	SS BADGER
						APP'D	DATE	AFT PORT DRUM LEVEL CONTROL
								DRWG NO.:



CONTAINS CONFIDENTIAL BUSINESS INFORMATION

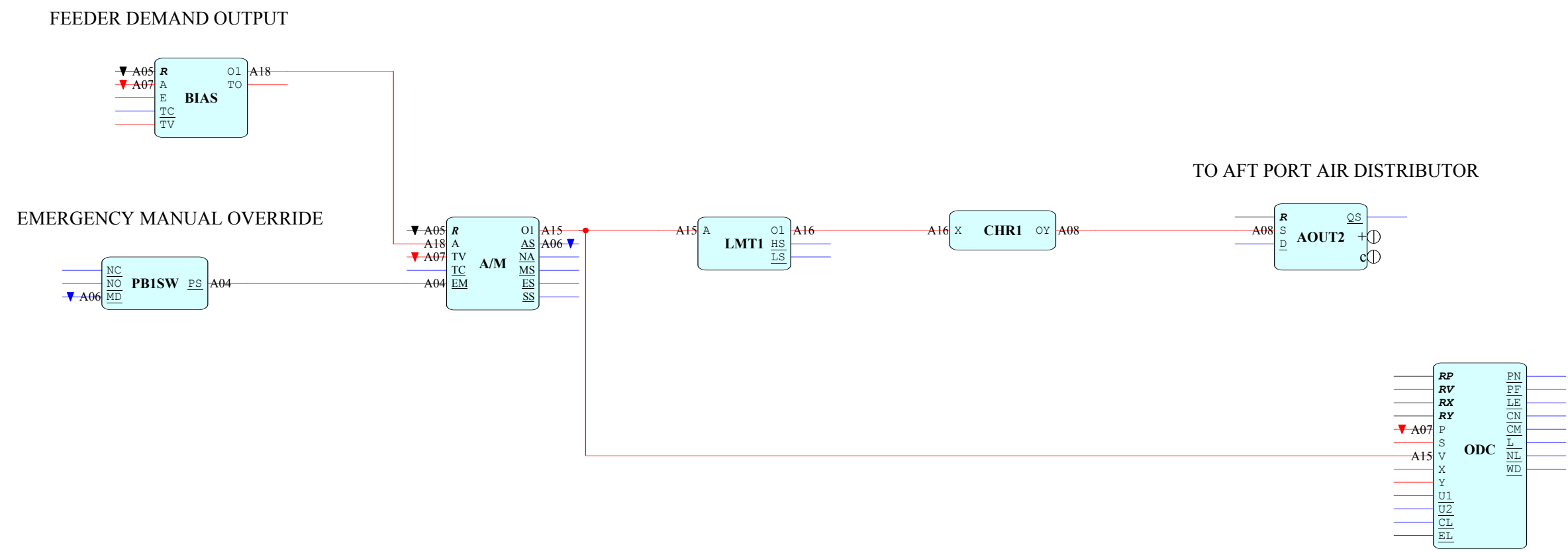


NO.	REVISION	BY	APP'D	DATE	COMPANY:			
					CUSTOMER:			
					DRAWN	DATE	TITLE: SS BADGER	
					JCH	8/13/13	AFT PORT OVERFIRE AIR LOOP	
					APP'D	DATE		
					DRWG NO.:			



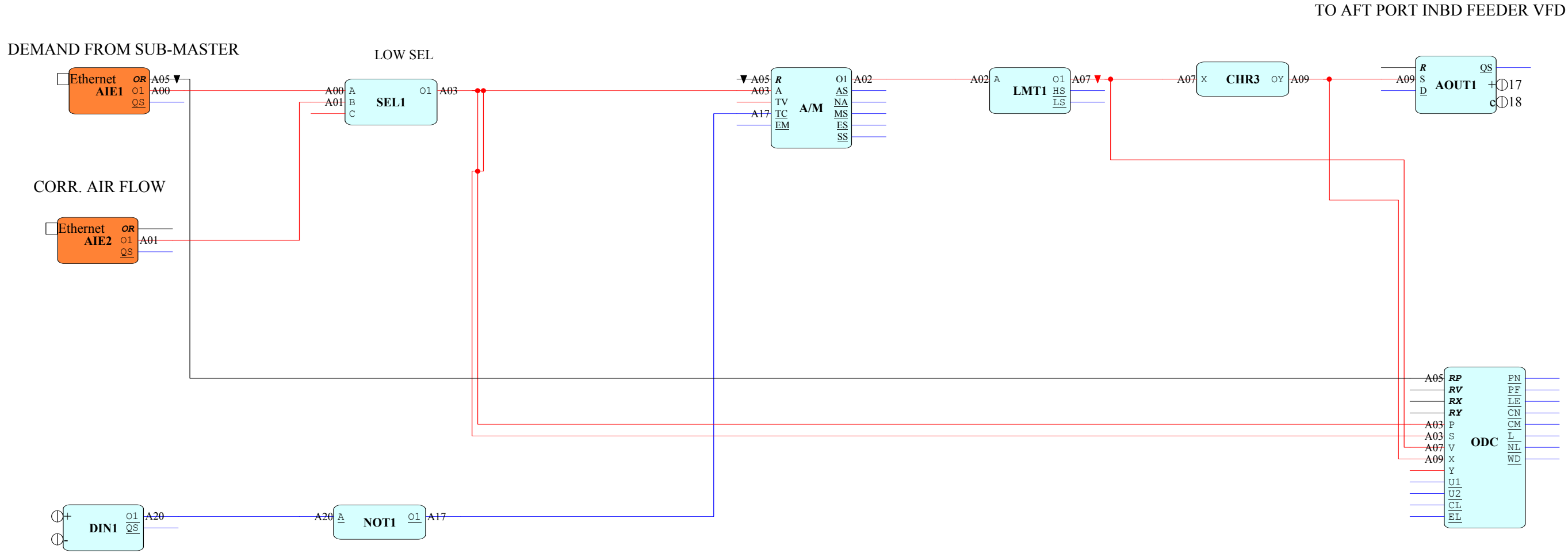
NO.	REVISION	BY	APP'D	DATE	COMPANY:		
						CUSTOMER:	
					DRAWN	DATE	TITLE:
					JCHLLC	1/14/14	SS BADGER AFT PORT I.D. FAN CONTROLLER
					APP'D	DATE	DRWG NO.:

CONTAINS CONFIDENTIAL BUSINESS INFORMATION



NO.	REVISION	BY	APP'D	DATE	COMPANY:		
					CUSTOMER:		
					DRAWN	DATE	TITLE:
					JCHLLC	1/15/14	SS BADGER AFT PORT AIR DISTRIBUTOR
					APP'D	DATE	
					DRWG NO.:		

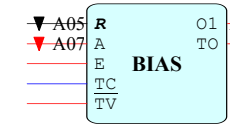
**CONTAINS CONFIDENTIAL BUSINESS INFORMATION**



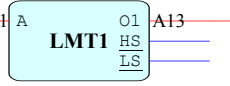
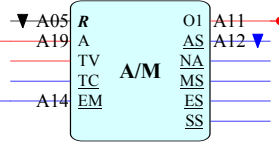
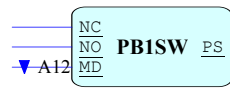
NO.	REVISION	BY	APP'D	DATE	COMPANY: [REDACTED]		
					CUSTOMER:		
					DRAWN	DATE	TITLE:
					JCHLLC	1/15/14	SS BADGER AFT PORT INBOARD COAL FEEDER
					APP'D	DATE	
							DRWG NO.:

CONTAINS CONFIDENTIAL BUSINESS INFORMATION

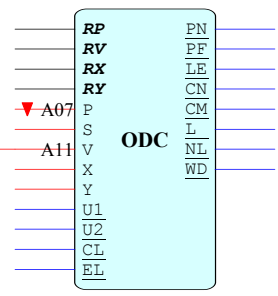
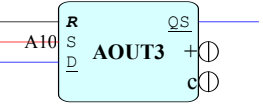
AFT PORT INBD FEEDER DEMAND OUT



EMERGENCY MANUAL OVERRIDE

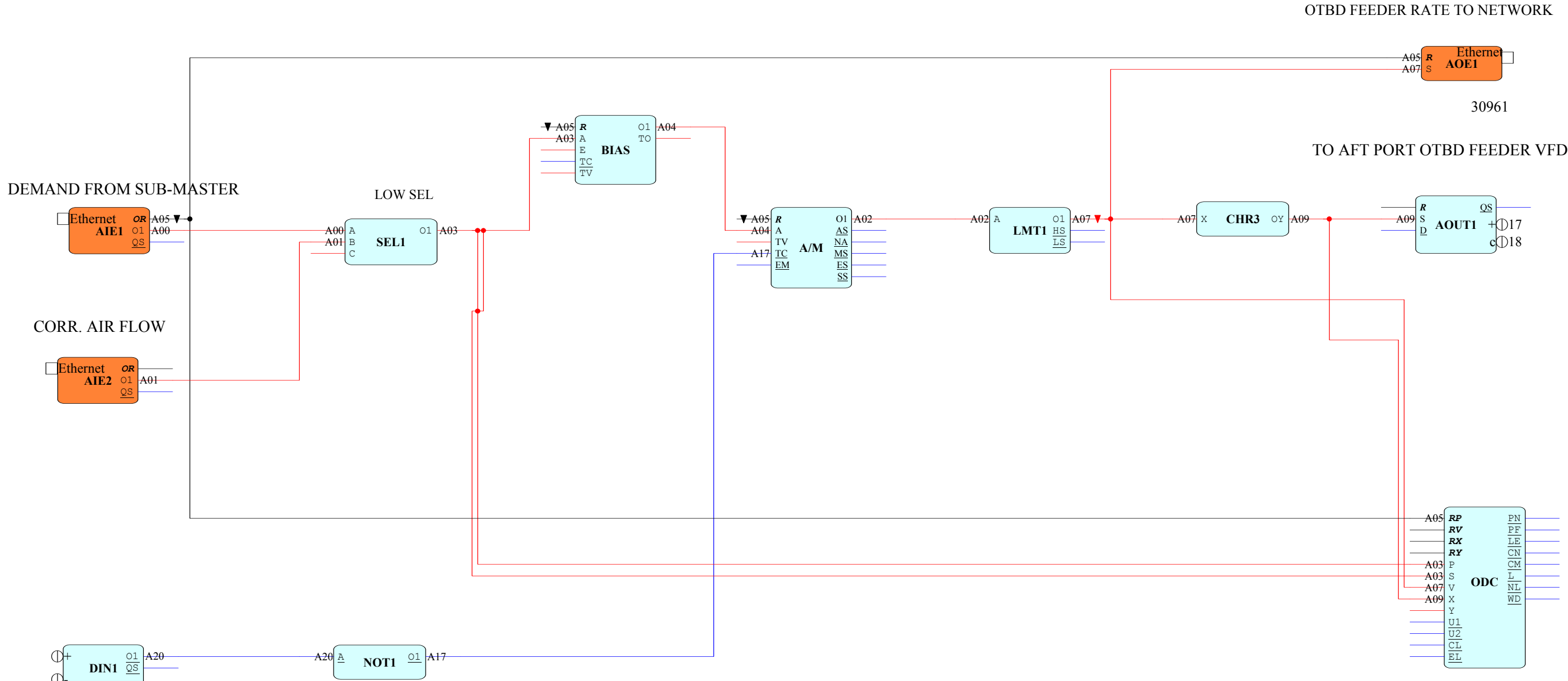


AFT PORT INBD ROTOR



NO.	REVISION	BY	APP'D	DATE	COMPANY:		
					CUSTOMER:		
					DRAWN	DATE	TITLE:
					JCHLLC	1/15/14	SS BADGER AFT PORT INBD ROTOR LOOP
					APP'D	DATE	
					DRWG NO.:		

**CONTAINS CONFIDENTIAL BUSINESS INFORMATION**

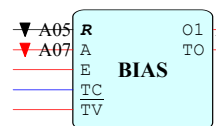


NO.	REVISION	BY	APP'D	DATE	COMPANY:		
					CUSTOMER:		
					DRAWN	DATE	TITLE:
					JCHLLC	1/15/14	SS BADGER AFT PORT OUTBOARD COAL FEEDER
					APP'D	DATE	
							DRWG NO.:

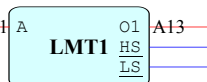
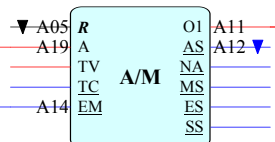
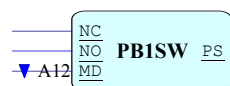


CONTAINS CONFIDENTIAL BUSINESS INFORMATION

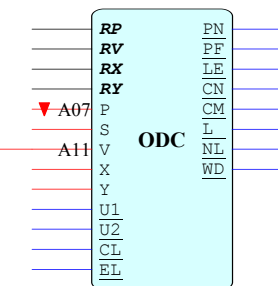
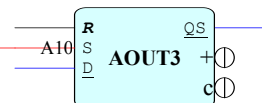
FWD STBD OTBD FEEDER DEMAND OUT



EMERGENCY MANUAL OVERRIDE

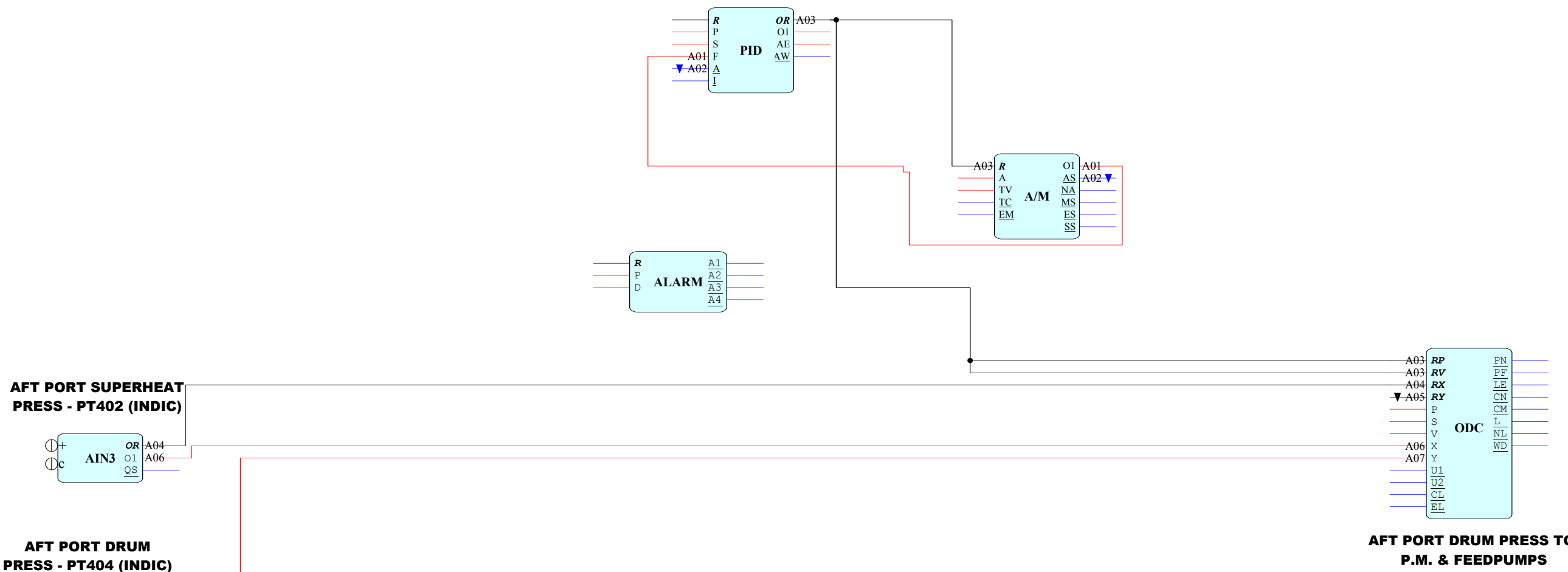


AFT PORT OTBD ROTOR



NO.	REVISION	BY	APP'D	DATE	COMPANY: ██████████		
					CUSTOMER: ██████████		
					DRAWN	DATE	TITLE: SS BADGER AFT PORT OUTBOARD ROTOR LOOP
					JCHLLC	1/15/14	
					APP'D	DATE	
					DRWG NO.:		

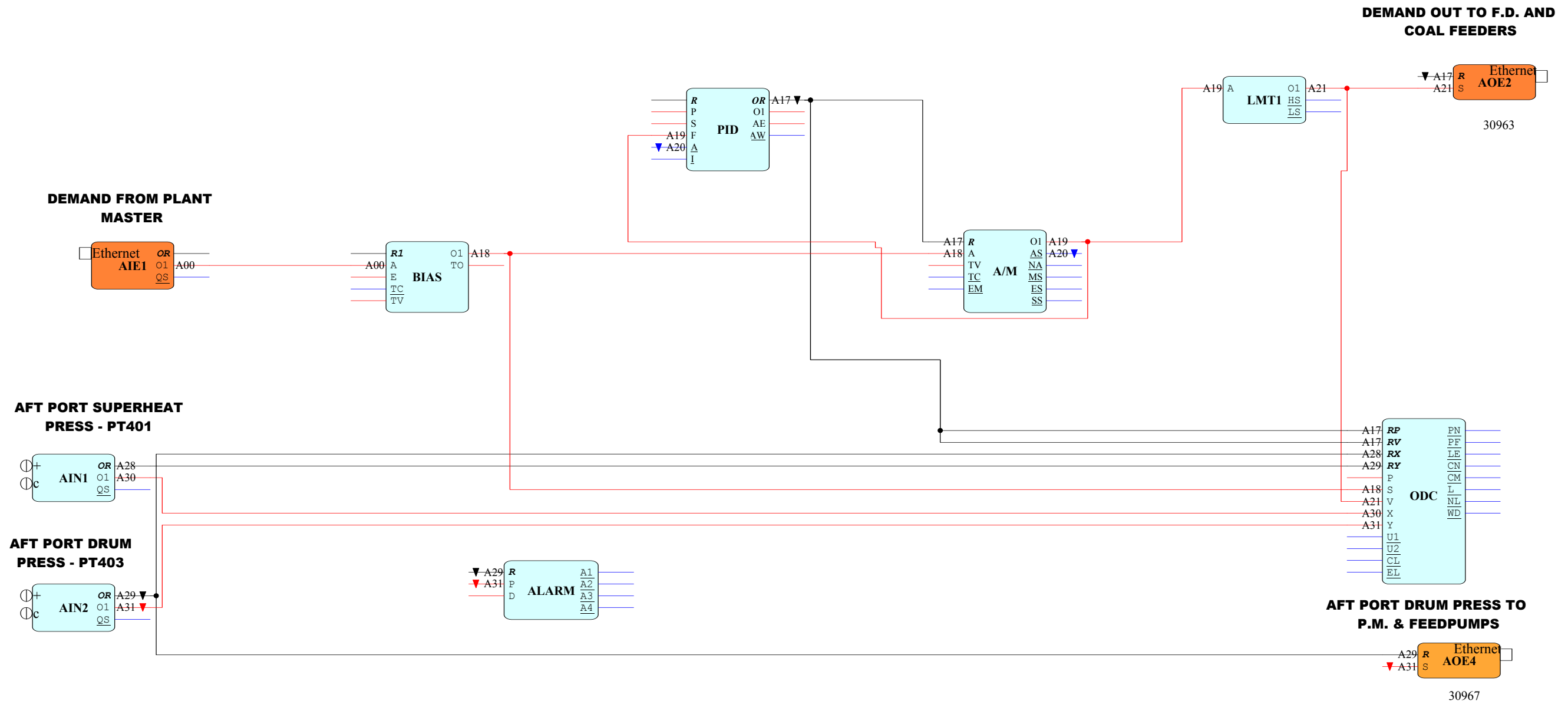
CONTAINS CONFIDENTIAL BUSINESS INFORMATION



30967

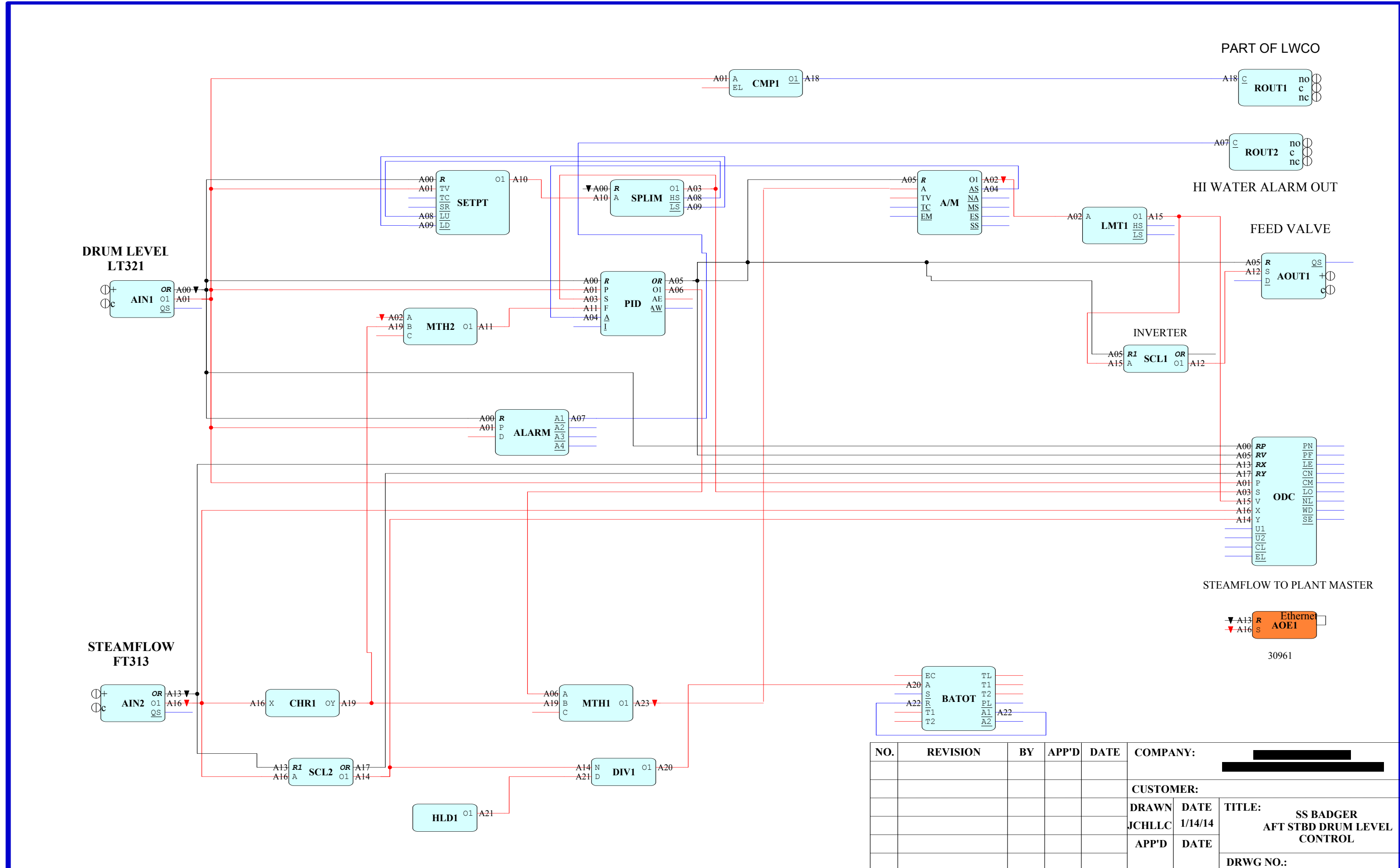
NO.	REVISION	BY	APP'D	DATE	COMPANY:		
					CUSTOMER:		
					DRAWN	DATE	TITLE:
					JCHLLC	1/24/14	SS BADGER AFT PORT BLR STEAM PRESS LOP
					APP'D	DATE	
					DRWG NO.:		

CONTAINS CONFIDENTIAL BUSINESS INFORMATION

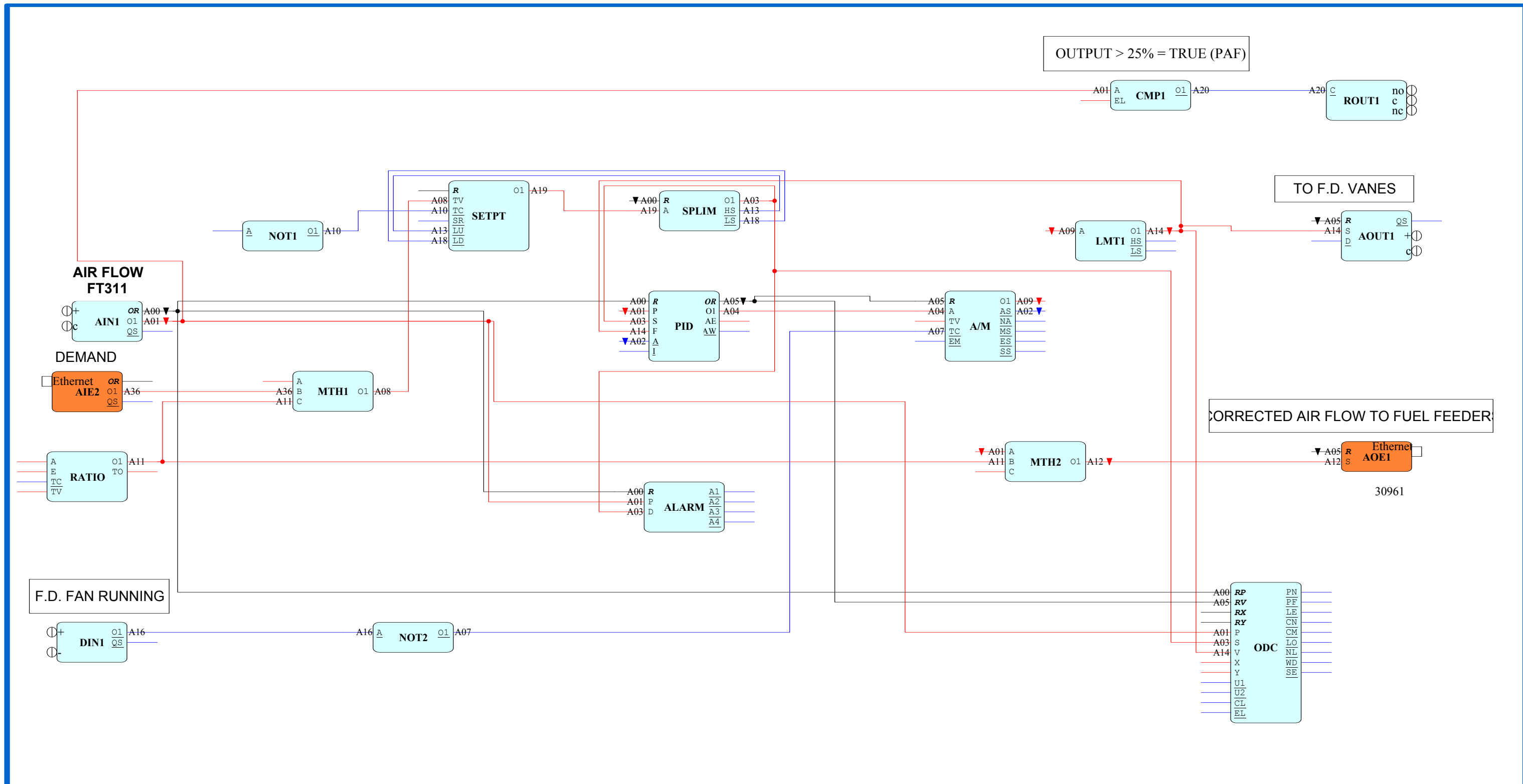


NO.	REVISION	BY	APP'D	DATE	COMPANY:
					CUSTOMER:
					DRAWN DATE TITLE:
					JCHLLC 1/14/14 SS BADGER
					APP'D DATE AFT PORT BLR
					SUB-MASTER W/ BIAS
					DRWG NO.:

CONTAINS CONFIDENTIAL BUSINESS INFORMATION



NO.	REVISION	BY	APP'D	DATE	COMPANY:			
					CUSTOMER:			
					DRAWN	DATE	TITLE:	
					JCHLLC	1/14/14	SS BADGER	
					APP'D	DATE	AFT STBD DRUM LEVEL CONTROL	
					DRWG NO.:			



OUTPUT > 25% = TRUE (PAF)

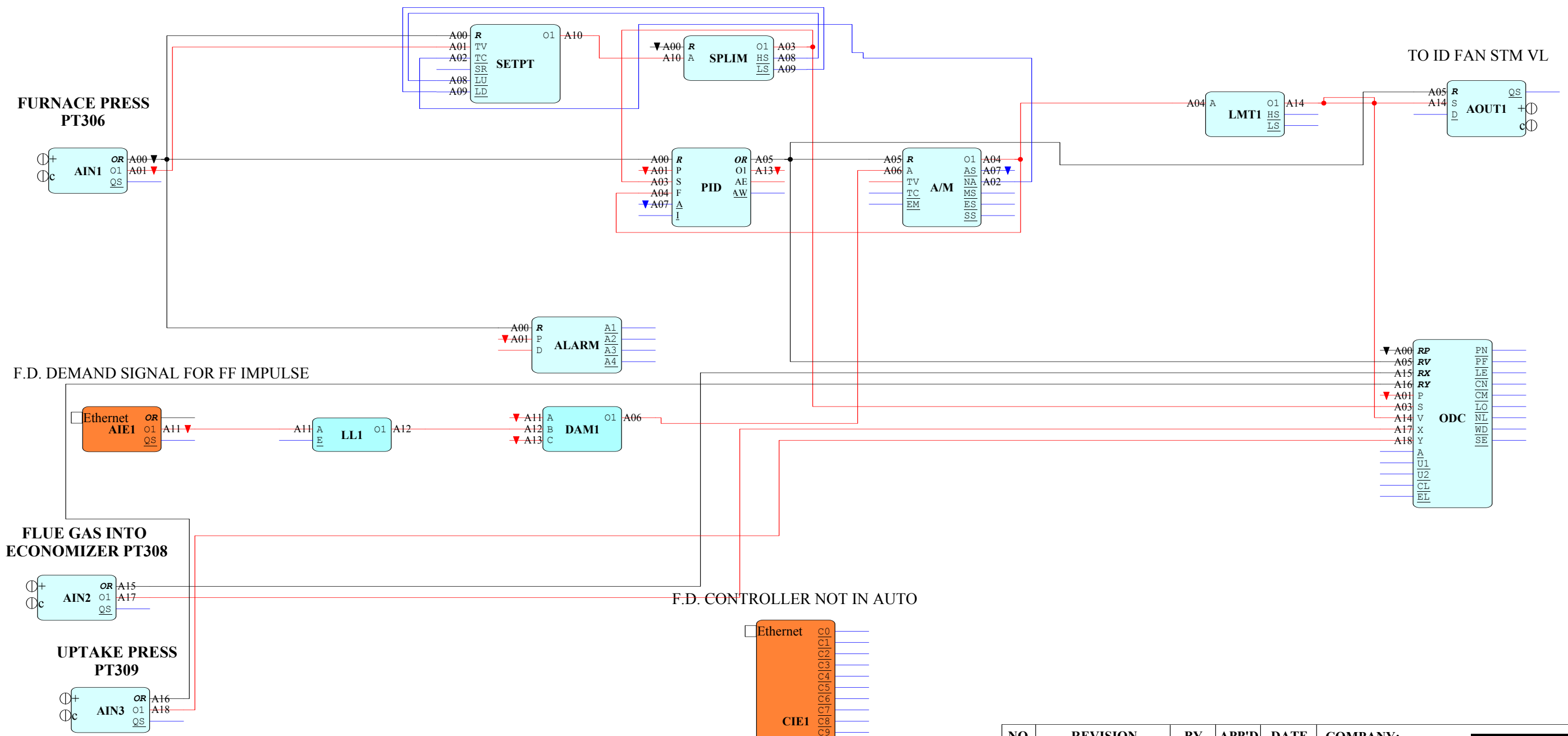
TO F.D. VANES

CORRECTED AIR FLOW TO FUEL FEEDER

30961

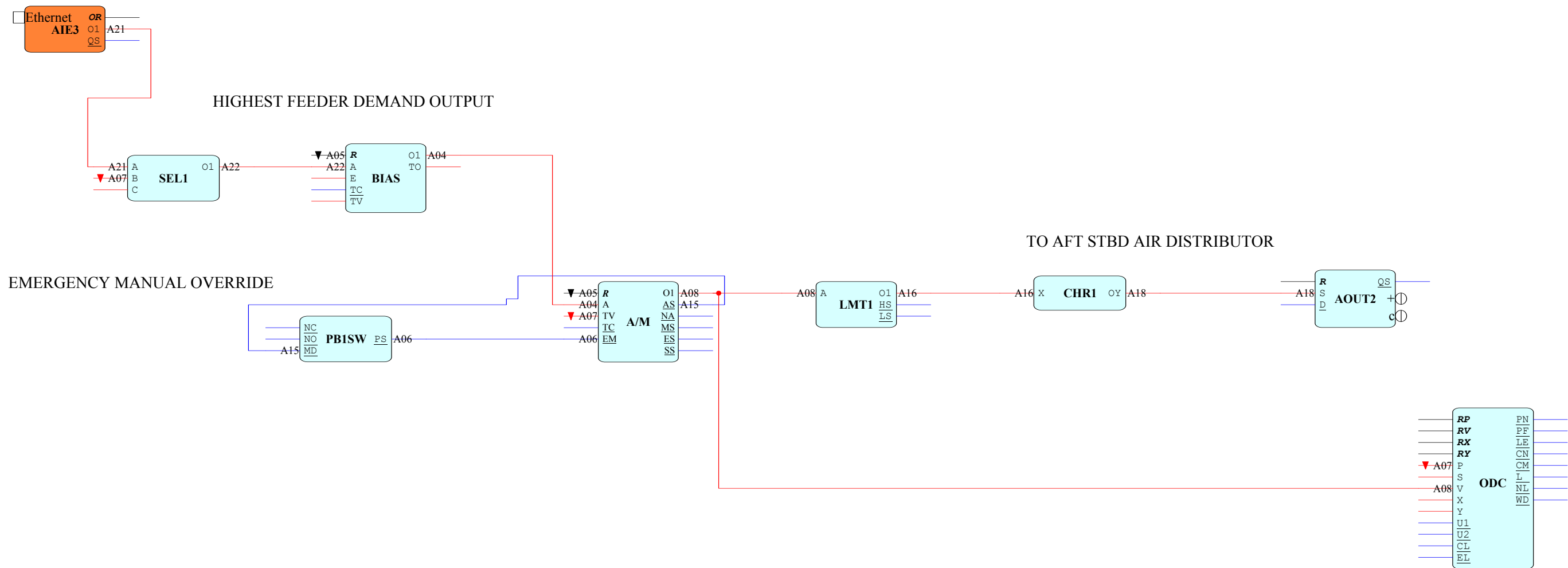
NO.	REVISION	BY	APP'D	DATE	COMPANY:		
				1			
					CUSTOMER:		
					DRAWN	DATE	TITLE:
					JCHLLC	1/14/14	SS BADGER
					APP'D	DATE	AFT STBD FD AIR FLOW CONTROL
					DRWG NO.:		





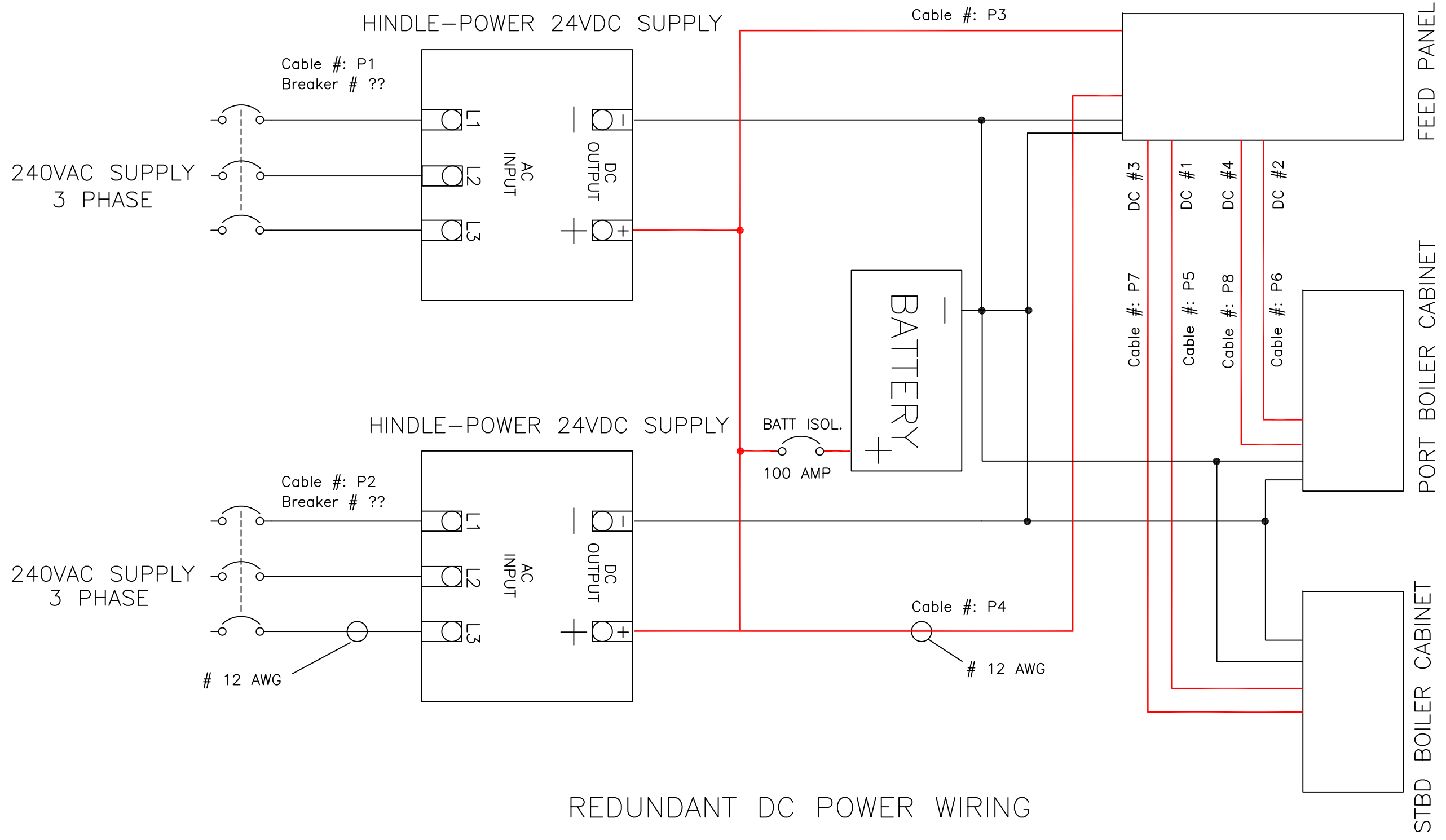
NO.	REVISION	BY	APP'D	DATE	COMPANY:		
						CUSTOMER:	
					DRAWN	DATE	TITLE:
					JCHLLC	1/14/14	SS BADGER AFT STBD I.D. FAN CONTROLLER
					APP'D	DATE	DRWG NO.:

CONTAINS CONFIDENTIAL BUSINESS INFORMATION



NO.	REVISION	BY	APP'D	DATE	COMPANY:		
					CUSTOMER:		
					DRAWN	DATE	TITLE:
					JCHLLC	1/15/14	SS BADGER AFT STBD AIR DISTRIBUTOR
					APP'D	DATE	
					DRWG NO.:		



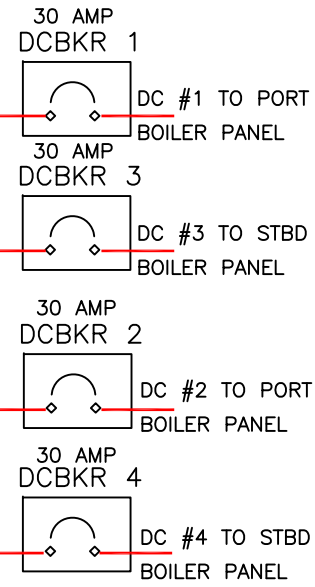


REDUNDANT DC POWER WIRING

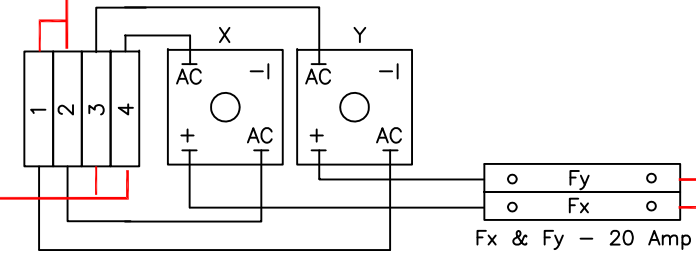
SS BADGER  
24VDC BATTERY-BACKED POWER

DRAWING NAME:	DRAWING NO:
BY: JCHLLC	SHEET ___ OF ___
DATE: 2/19/14	

DC SUPPLY LINE #1 FROM HINDLE-POWER CHARGER #1



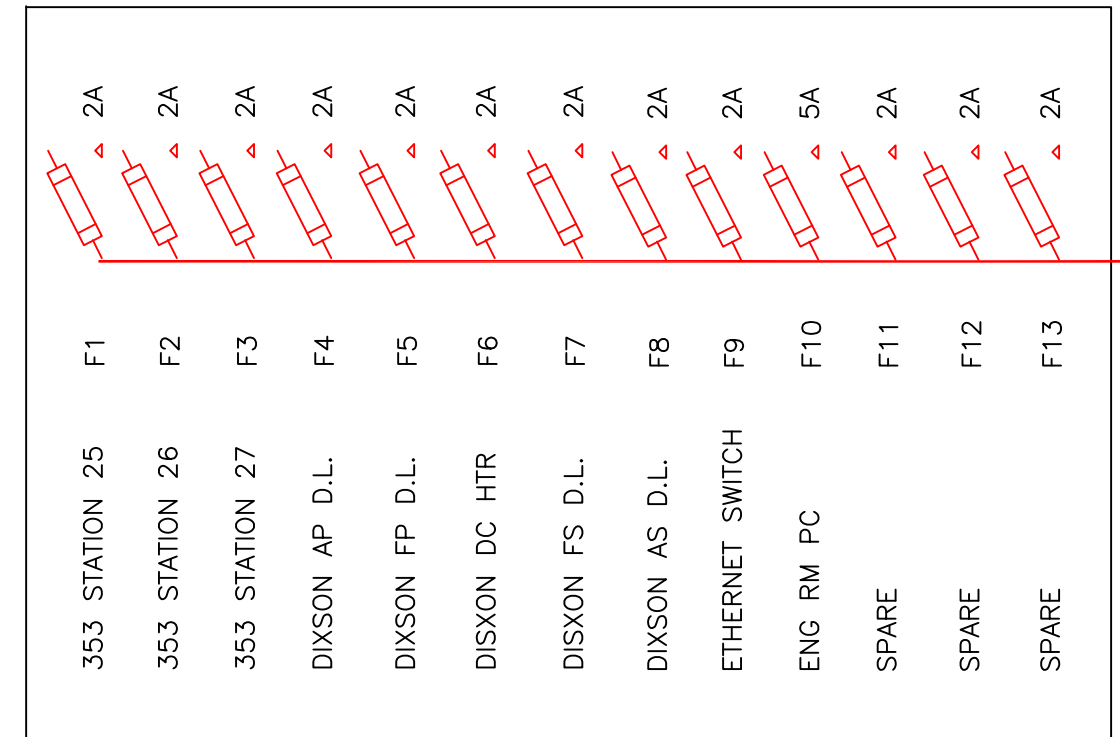
REV. PROTECTION DIODE WIRING DETAILS  
DIODES: GBPC2504



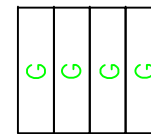
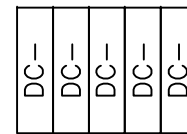
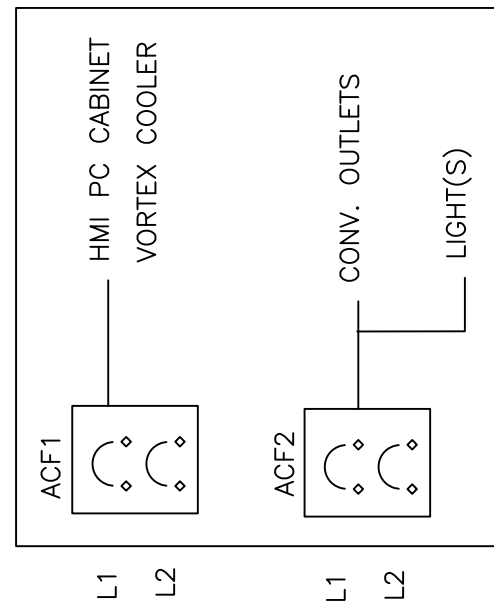
NOTE: TEST DIODES X AND Y BY ALTERNATELY OPENING FUSE HOLDERS Fx AND Fy.

DC SUPPLY LINE #2 FROM HINDLE-POWER CHARGER #2

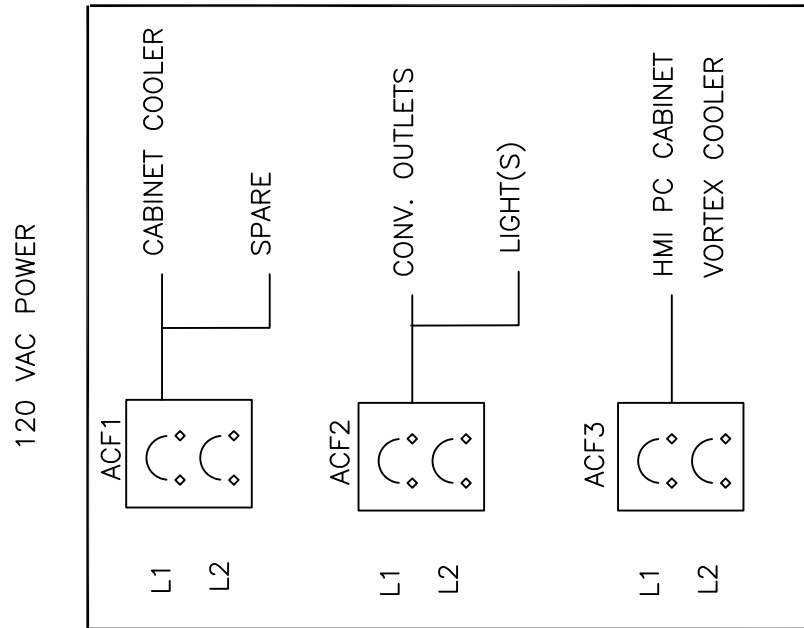
DC POWER - FEEDWATER CABINET



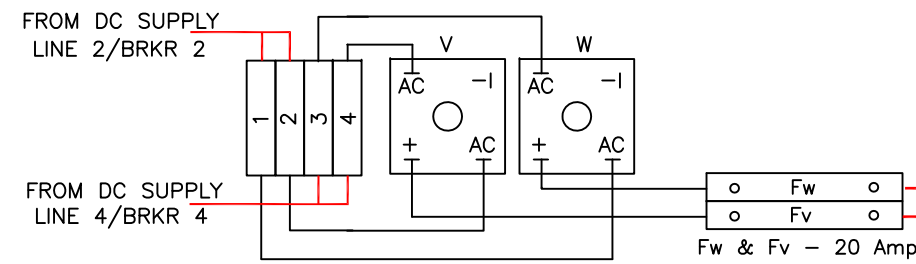
120 VAC POWER



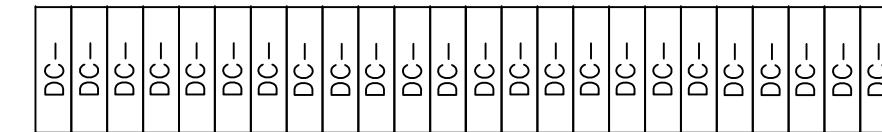
BADGER FEEDWATER PANEL WIRING



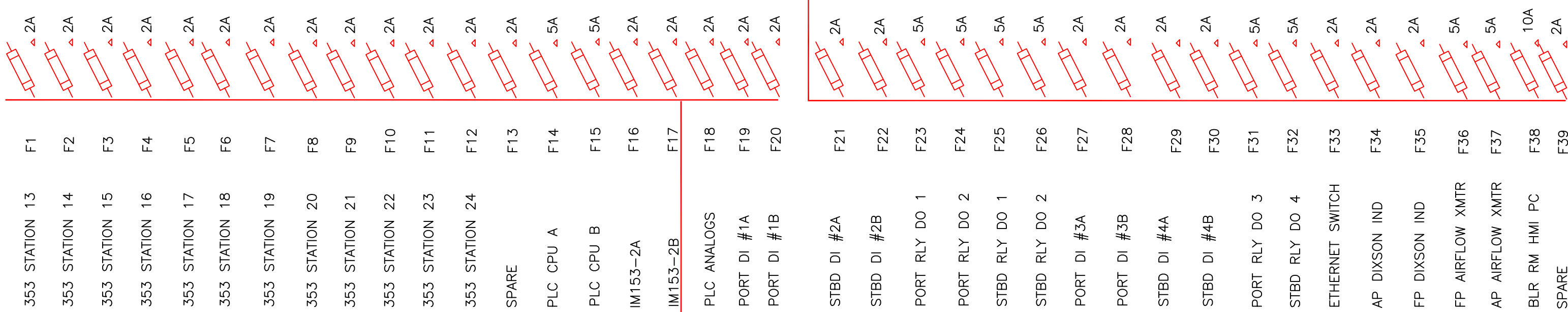
REV. PROTECTION DIODE WIRING DETAILS  
DIODES: GBPC2504



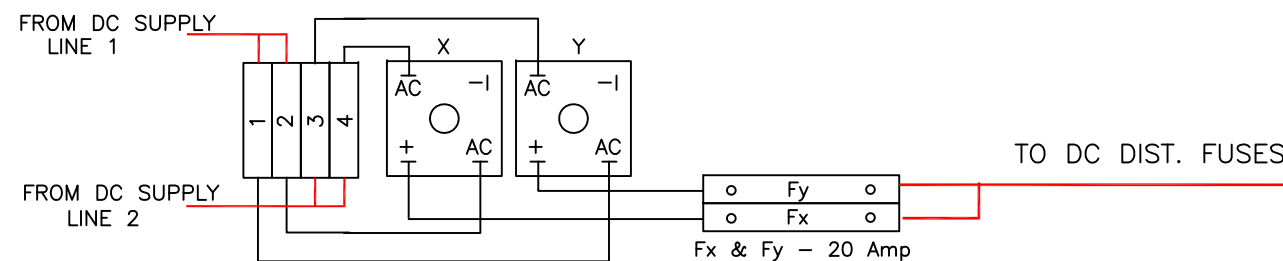
NOTE: TEST DIODES V AND W BY ALTERNATELY OPENING FUSE HOLDERS Fv AND Fw.



DC POWER - PORT BOILER CABINET



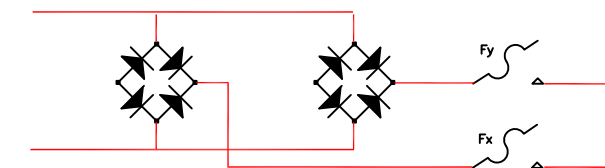
REV. PROTECTION DIODE WIRING DETAILS  
DIODES: GBPC2504



NOTE: TEST DIODES X AND Y BY ALTERNATELY OPENING FUSE HOLDERS Fx AND Fy.

DIODE CIRCUIT SCHEMATIC - TWO SETS

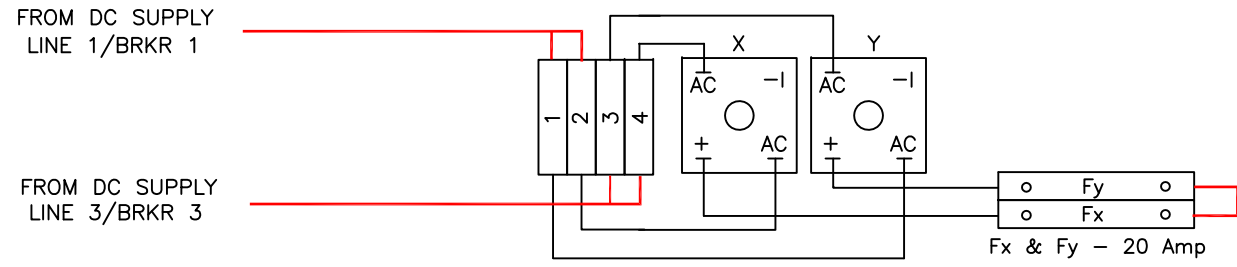
REVERSE POLARITY PROTECTION DIODES MODEL: GBPC2504  
EMPLOYS ONE SIDE EACH, REDUNDANT BRIDGE RECTIFIERS



BADGER BOILER PANEL WIRING  
PORT PANEL POWER DISTRIBUTION

REV.

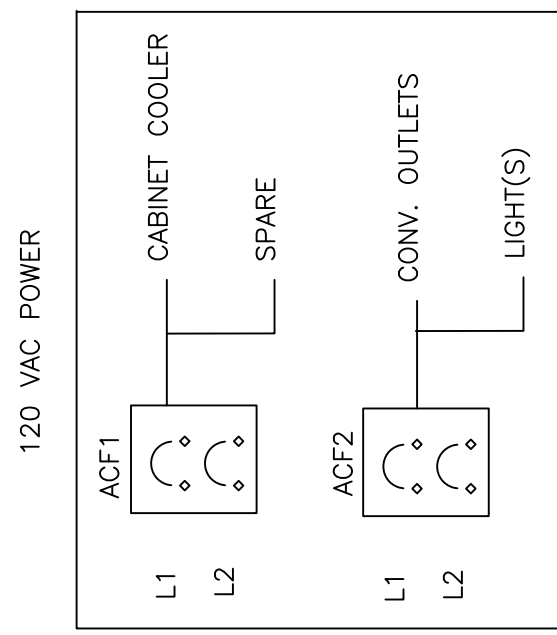
REV. PROTECTION DIODE WIRING DETAILS  
DIODES: GBPC2504



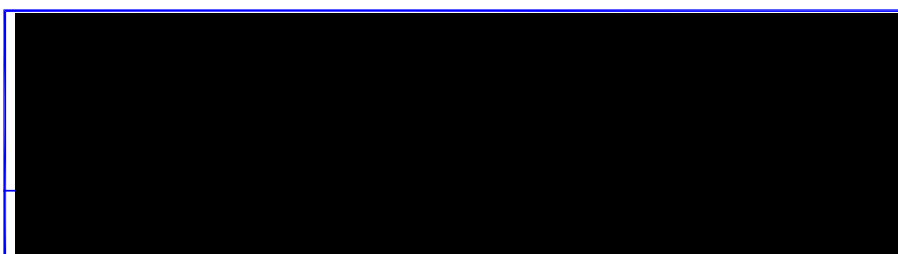
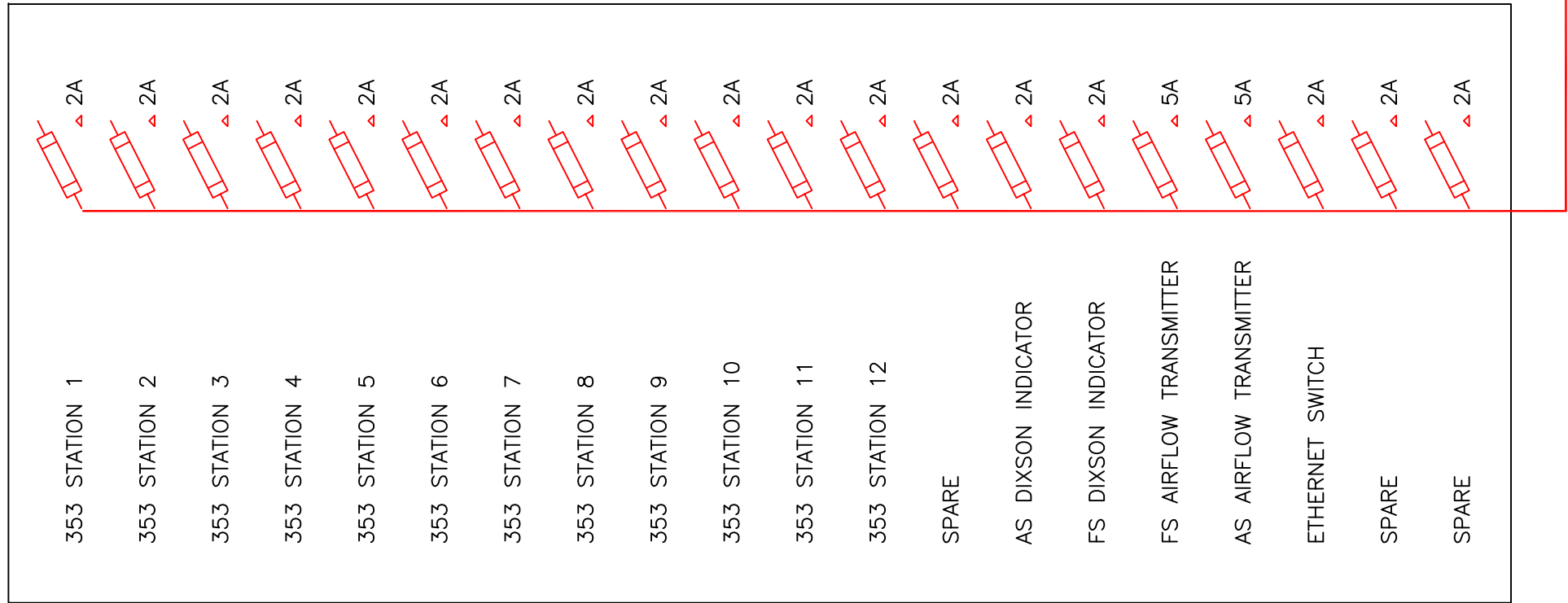
NOTE: TEST DIODES X AND Y BY ALTERNATELY OPENING FUSE HOLDERS Fx AND Fy.

DC-	DC-	DC-	DC-	DC-	DC-	DC-	DC-	DC-	DC-	DC-	DC-
-----	-----	-----	-----	-----	-----	-----	-----	-----	-----	-----	-----

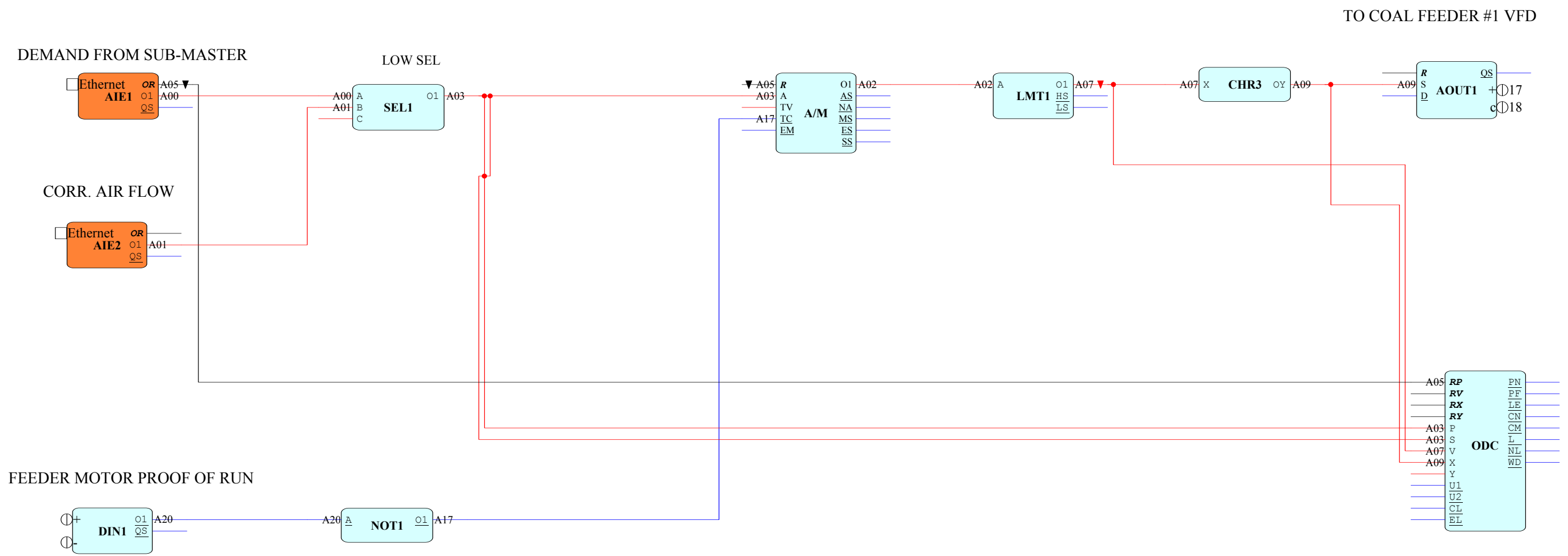
G	G	G	G	G	G	G	G
---	---	---	---	---	---	---	---



DC POWER -- STBD BOILER CABINET



CONTAINS CONFIDENTIAL BUSINESS INFORMATION

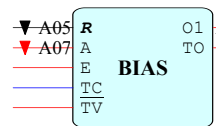


TO COAL FEEDER #1 VFD

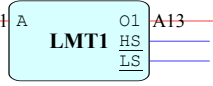
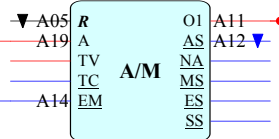
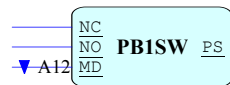
NO.	REVISION	BY	APP'D	DATE	COMPANY:		
					CUSTOMER:		
					DRAWN	DATE	TITLE:
					JCHLLC	1/15/14	SS BADGER AFT STBD INBOARD COAL FEEDER
					APP'D	DATE	
							DRWG NO.:

CONTAINS CONFIDENTIAL BUSINESS INFORMATION

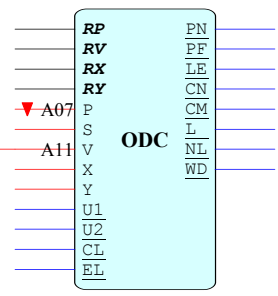
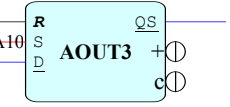
AFT STBD INBD FEEDER DEMAND OUT



EMERGENCY MANUAL OVERRIDE

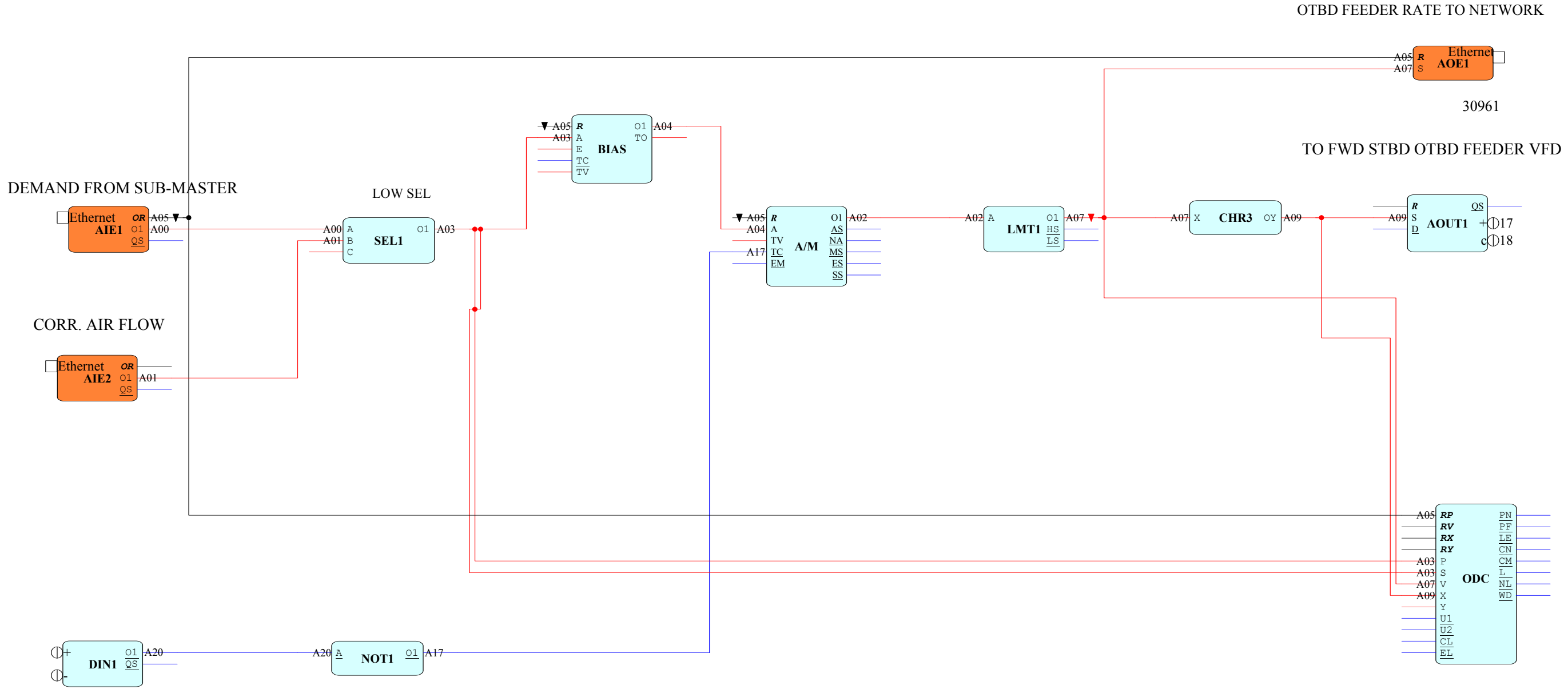


AFT STBD INBD ROTOR



NO.	REVISION	BY	APP'D	DATE	COMPANY: [REDACTED]		
					CUSTOMER:		
					DRAWN	DATE	TITLE: SS BADGER AFT STBD INBD ROTOR LOOP
					JCHLLC	1/15/14	
					APP'D	DATE	
					DRWG NO.:		

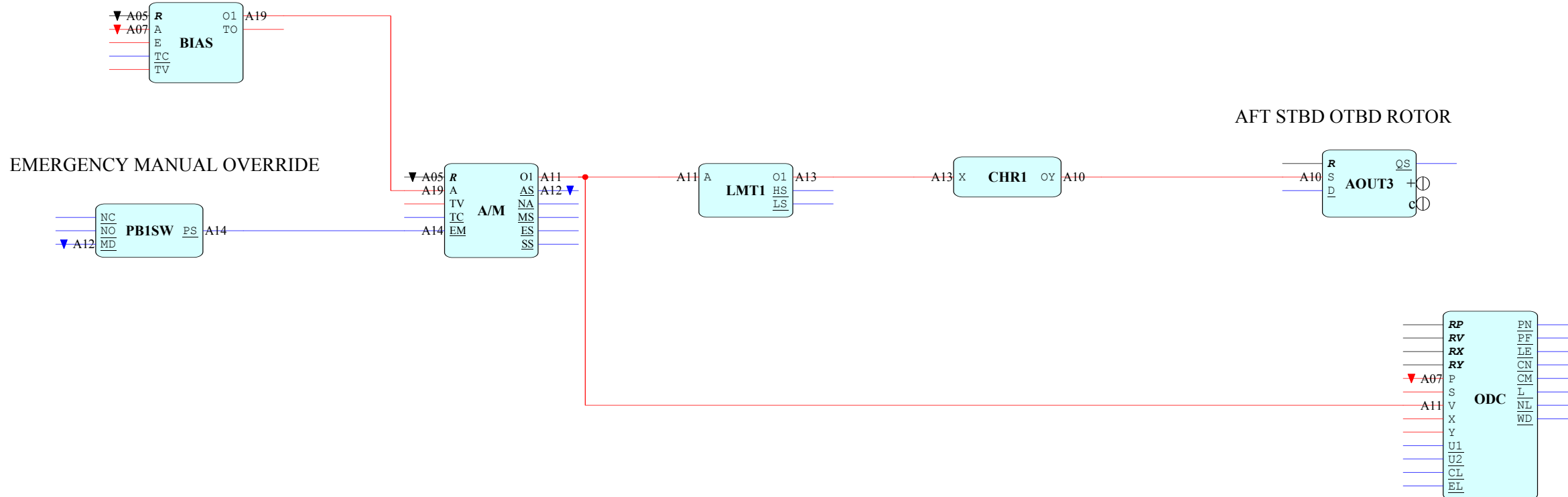
**CONTAINS CONFIDENTIAL BUSINESS INFORMATION**



NO.	REVISION	BY	APP'D	DATE	COMPANY: [REDACTED]		
					CUSTOMER:		
					DRAWN	DATE	TITLE:
					JCHLLC	1/15/14	SS BADGER AFT STBD OUTBOARD COAL FEEDER
					APP'D	DATE	
							DRWG NO.:

CONTAINS CONFIDENTIAL BUSINESS INFORMATION

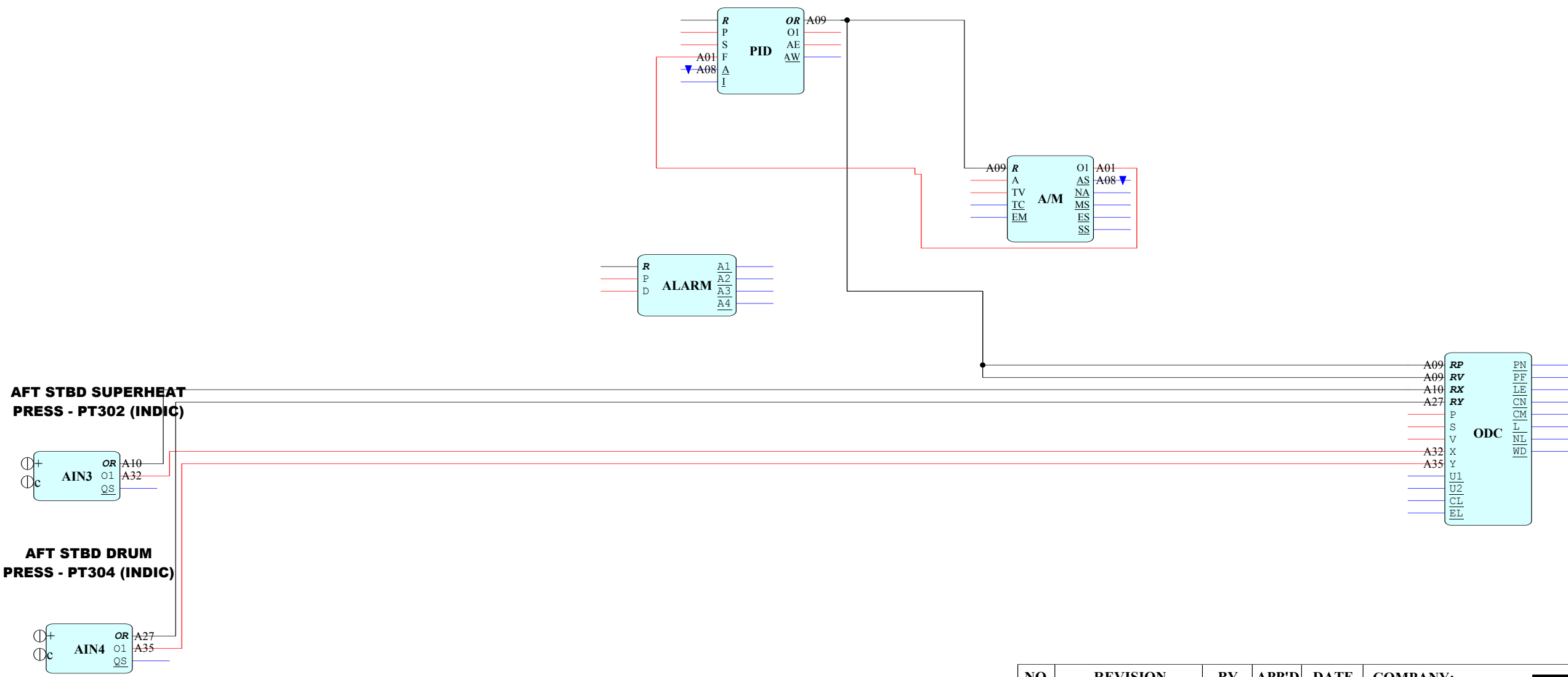
AFT STBD OTBD FEEDER DEMAND OUT



NO.	REVISION	BY	APP'D	DATE	COMPANY:		
					CUSTOMER:		
					DRAWN	DATE	TITLE:
					JCHLLC	1/15/14	SS BADGER AFT STBD OUTBOARD ROTOR LOOP
					APP'D	DATE	
							DRWG NO.:



CONTAINS CONFIDENTIAL BUSINESS INFORMATION

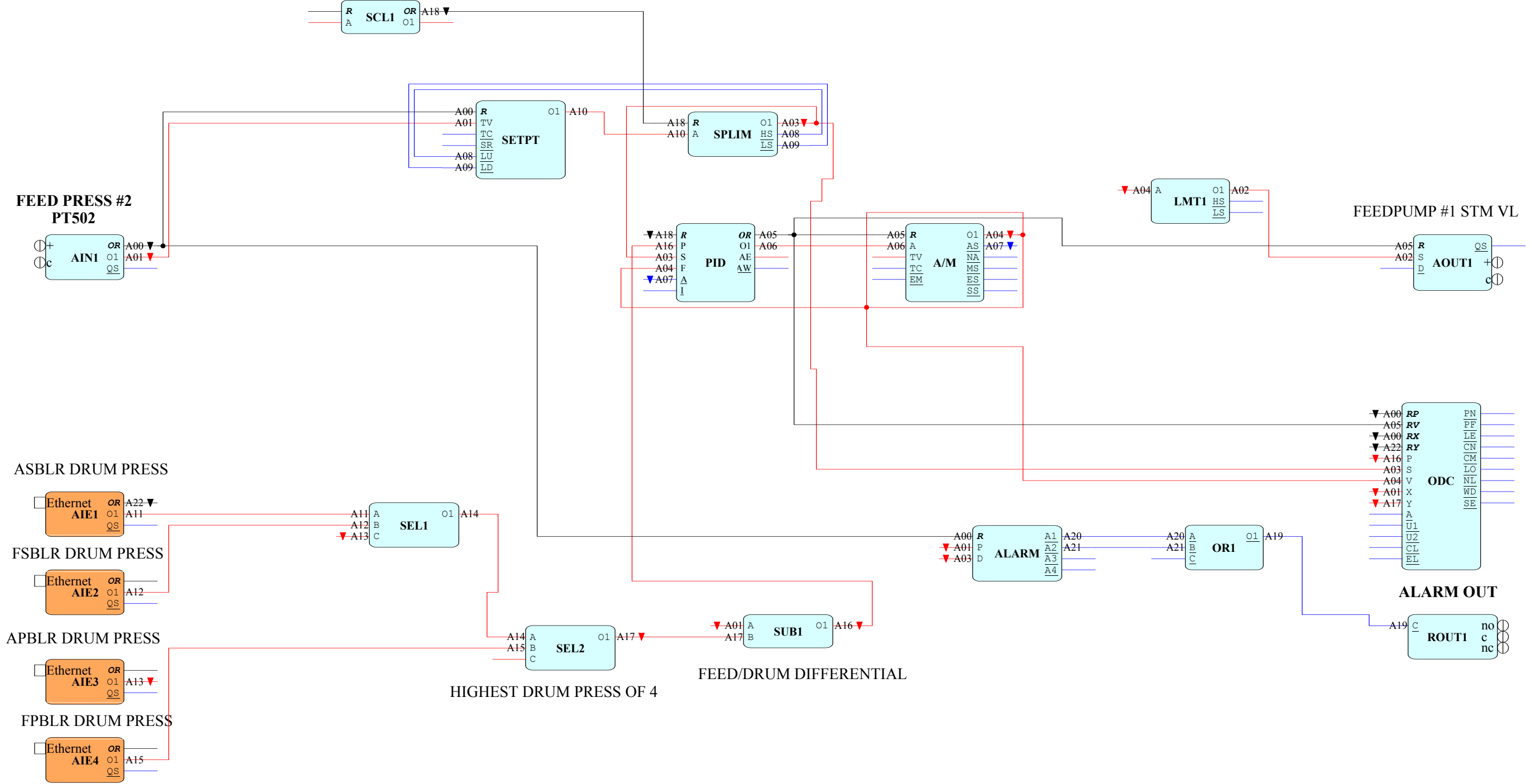


NO.	REVISION	BY	APP'D	DATE	COMPANY:		
					CUSTOMER:		
					DRAWN	DATE	TITLE:
					JCHLLC	1/24/14	SS BADGER AFT STBD BLR STEAM PRESS LOOP
					APP'D	DATE	
							DRWG NO.:

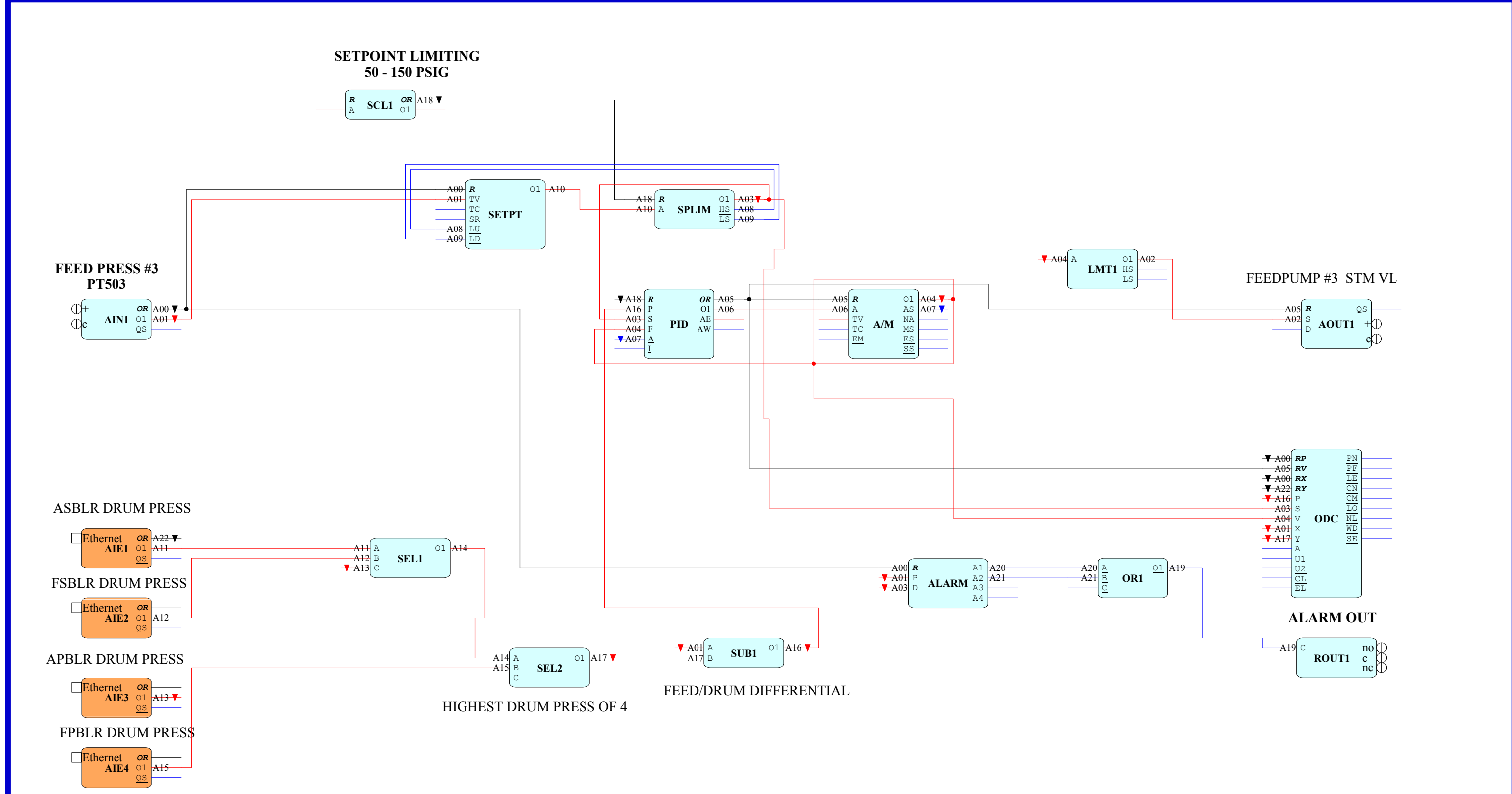




SETPOINT LIMITING  
50 - 150 PSIG

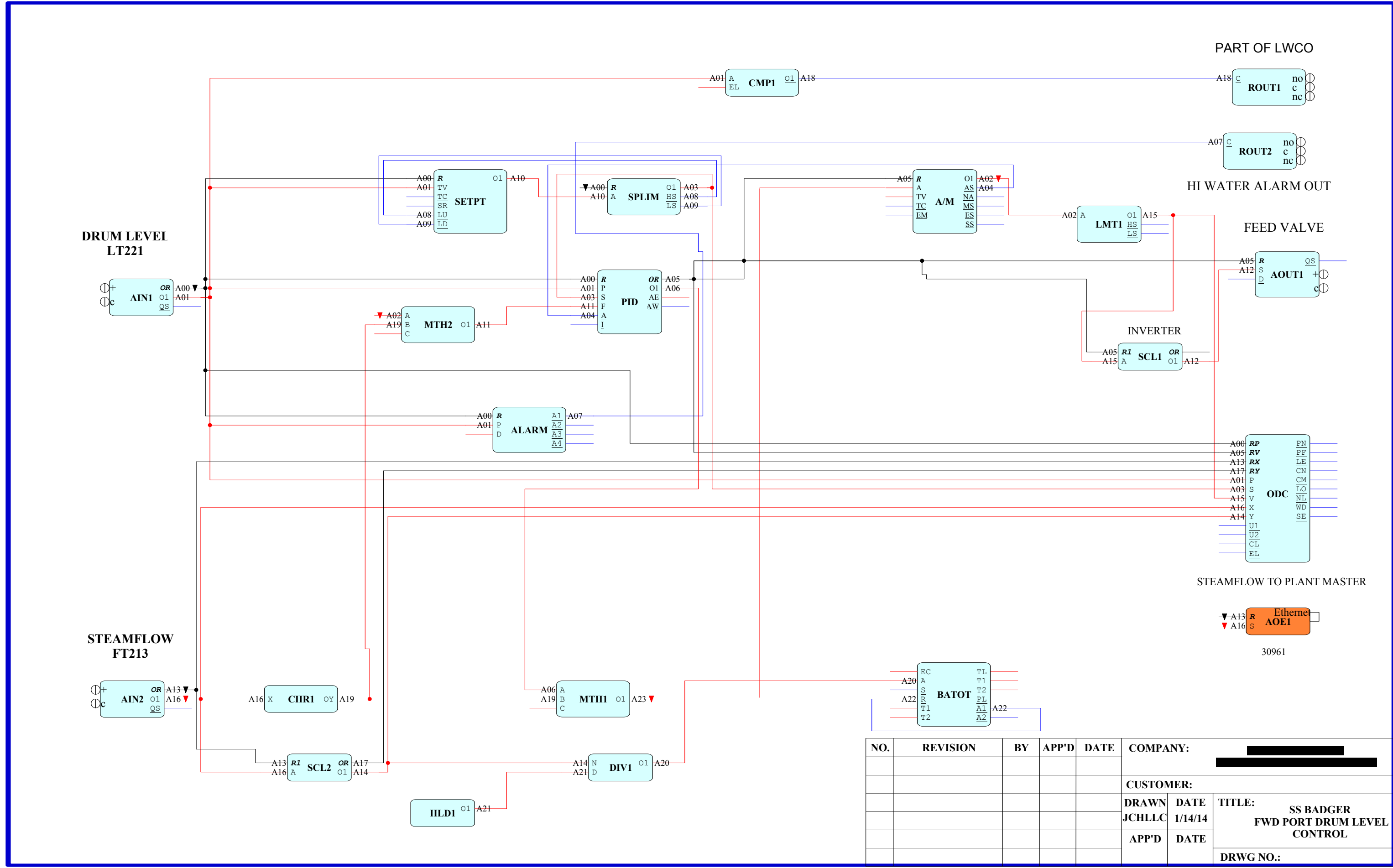


NO.	REVISION	BY	APP'D	DATE	COMPANY: [REDACTED]		
					CUSTOMER:		
					DRAWN	DATE	TITLE:
					JCHLLC	1/30/14	SS BADGER FEEDPUMP #2 D/P CONTROLLER
					APP'D	DATE	
					DRWG NO.:		

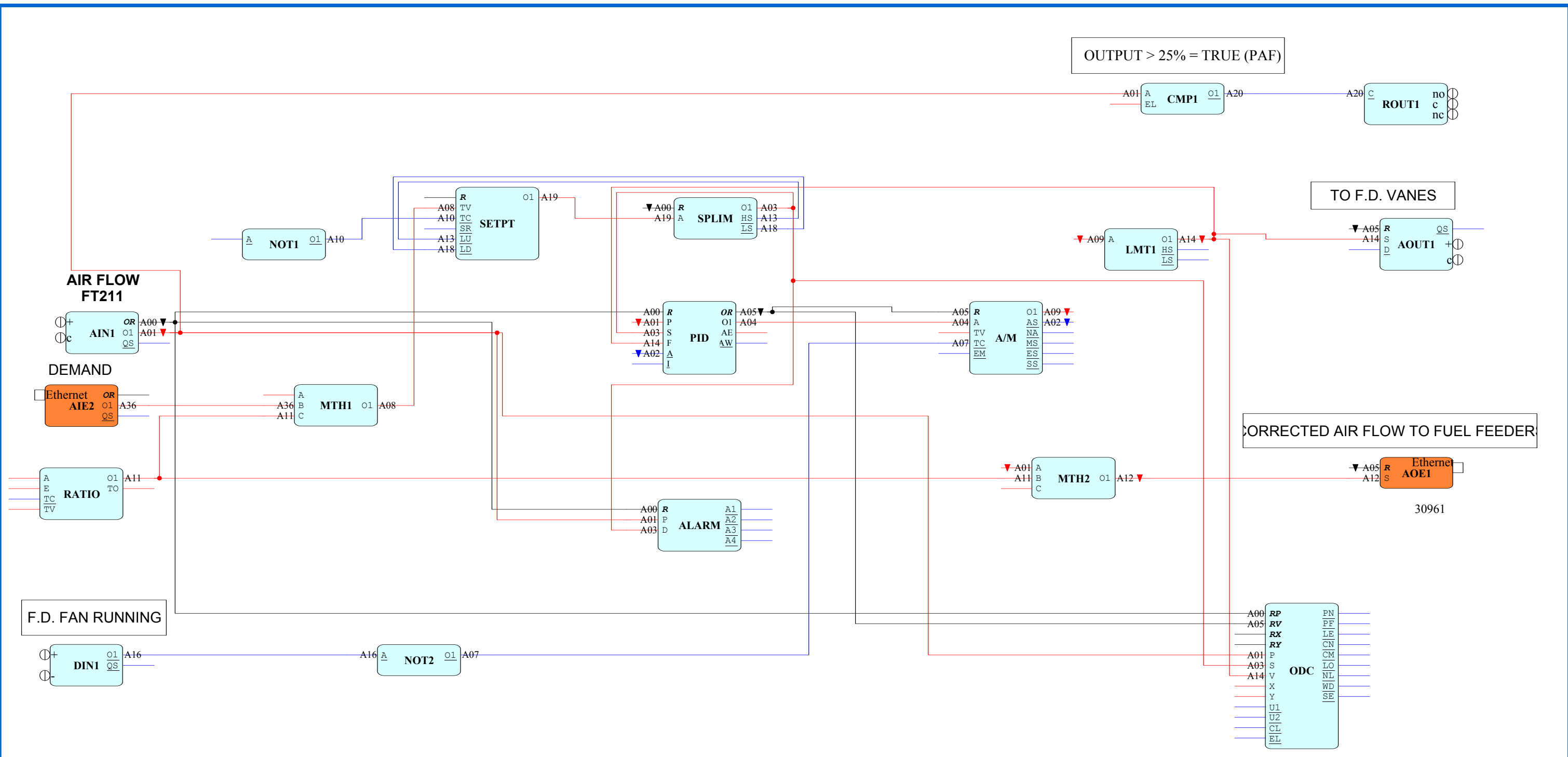


NO.	REVISION	BY	APP'D	DATE	COMPANY:			
					CUSTOMER:			
					DRAWN	DATE	TITLE:	SS BADGER FEEDPUMP #3 D/P CONTROLLER
					JCHLLC	1/30/14		
					APP'D	DATE		
							DRWG NO.:	

CONTAINS CONFIDENTIAL BUSINESS INFORMATION

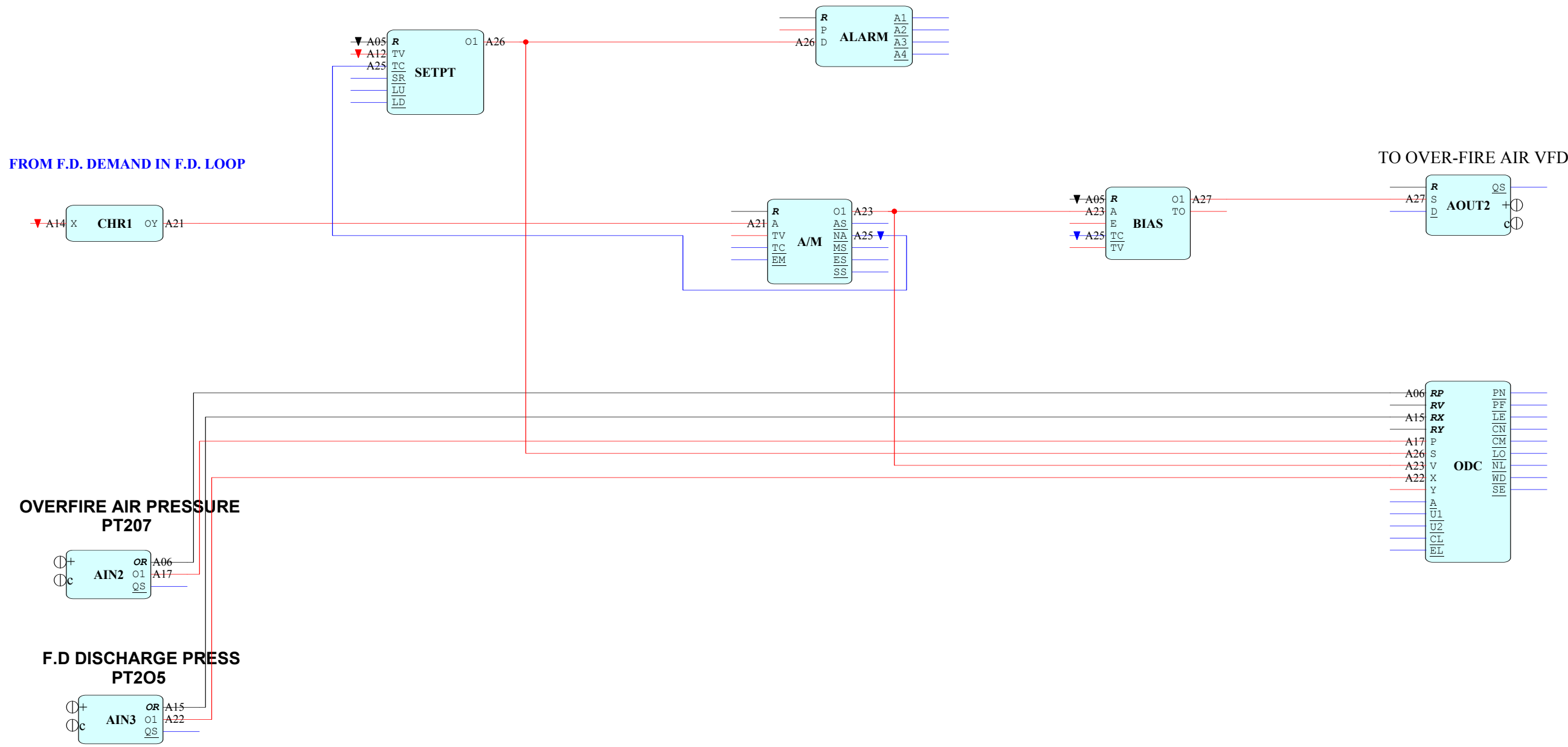


NO.	REVISION	BY	APP'D	DATE	COMPANY:			
						[Redacted]		
					CUSTOMER:			
					DRAWN	DATE	TITLE:	
					JCHLLC	1/14/14	SS BADGER	
					APP'D	DATE	FWD PORT DRUM LEVEL CONTROL	
					DRWG NO.:			



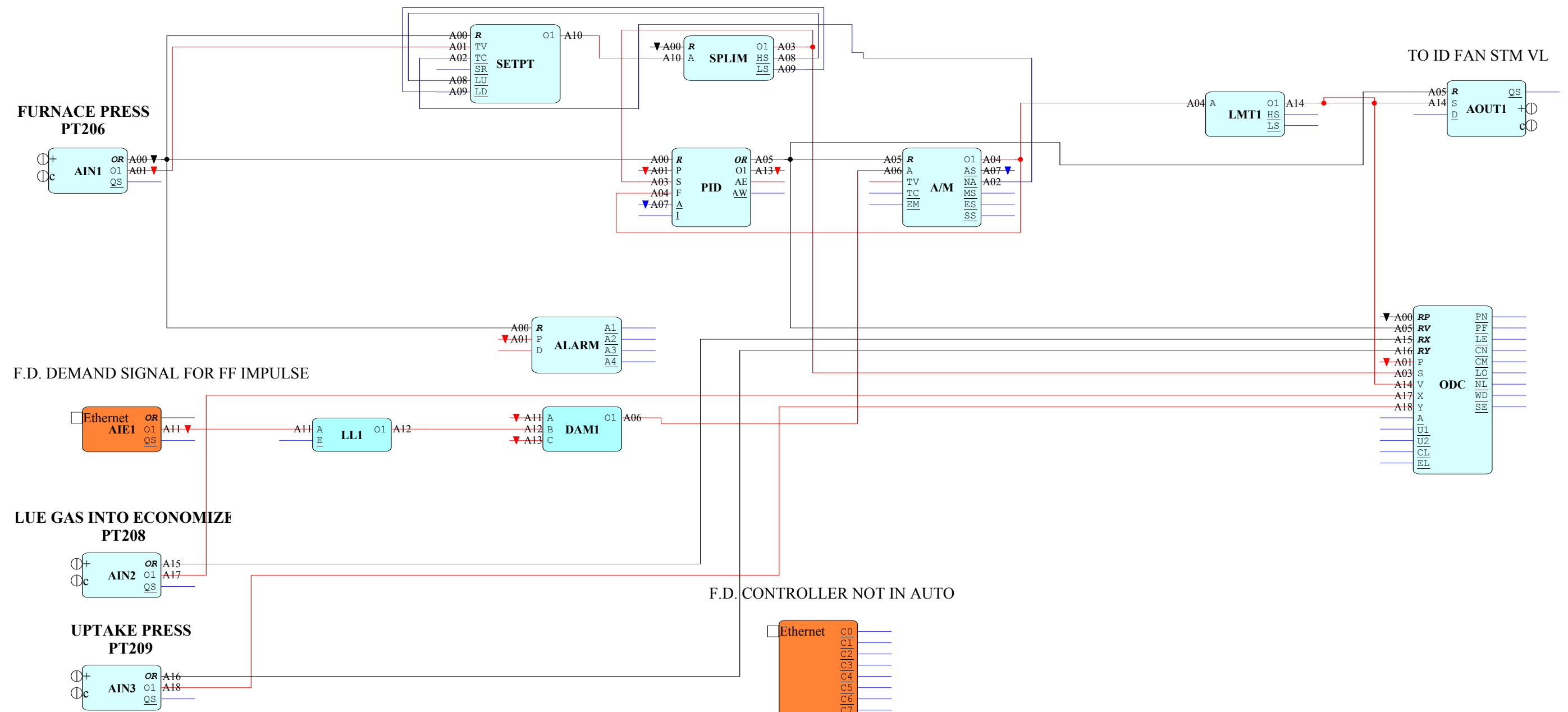
NO.	REVISION	BY	APP'D	DATE	COMPANY:		
				1			
					CUSTOMER:		
					DRAWN	DATE	TITLE:
					JCHLLC	1/14/14	SS BADGER FWD PORT FD AIR FLOW CONTROL
					APP'D	DATE	
							DRWG NO.:

CONTAINS CONFIDENTIAL BUSINESS INFORMATION



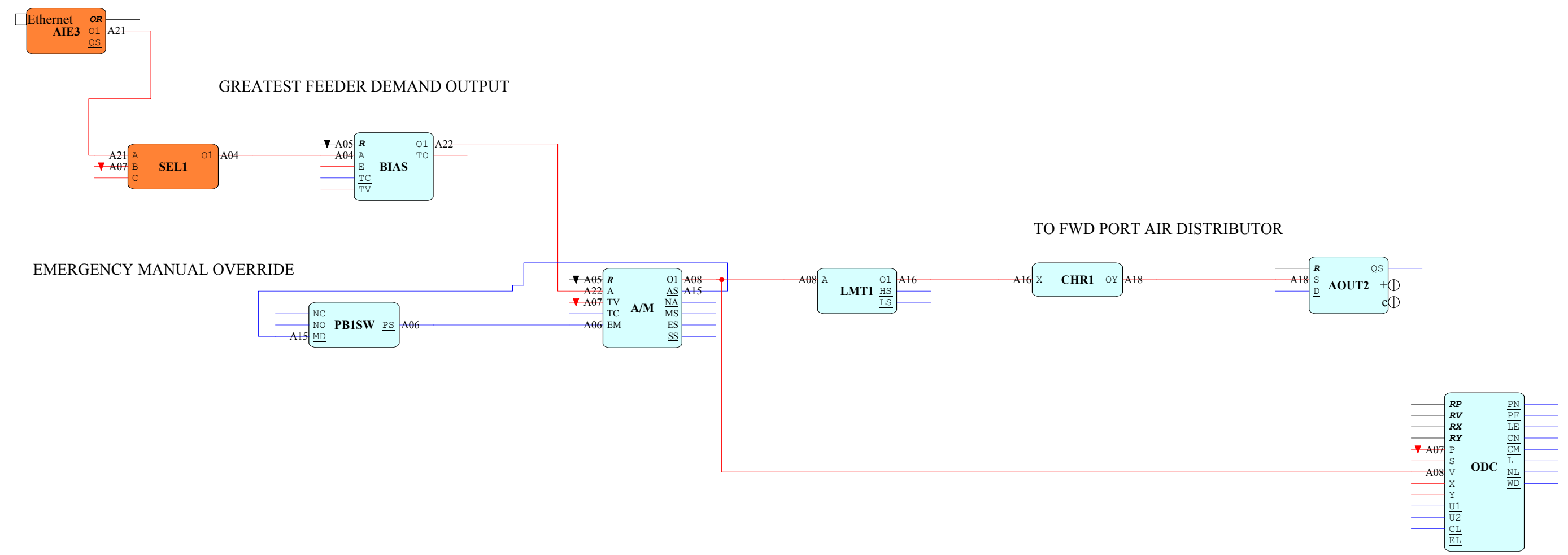
NO.	REVISION	BY	APP'D	DATE	COMPANY:		
					CUSTOMER:		
					DRAWN	DATE	TITLE: SS BADGER
					JCHLLC	1/14/14	FP FD
					APP'D	DATE	OVERFIRE AIR LOOP
					DRWG NO.:		





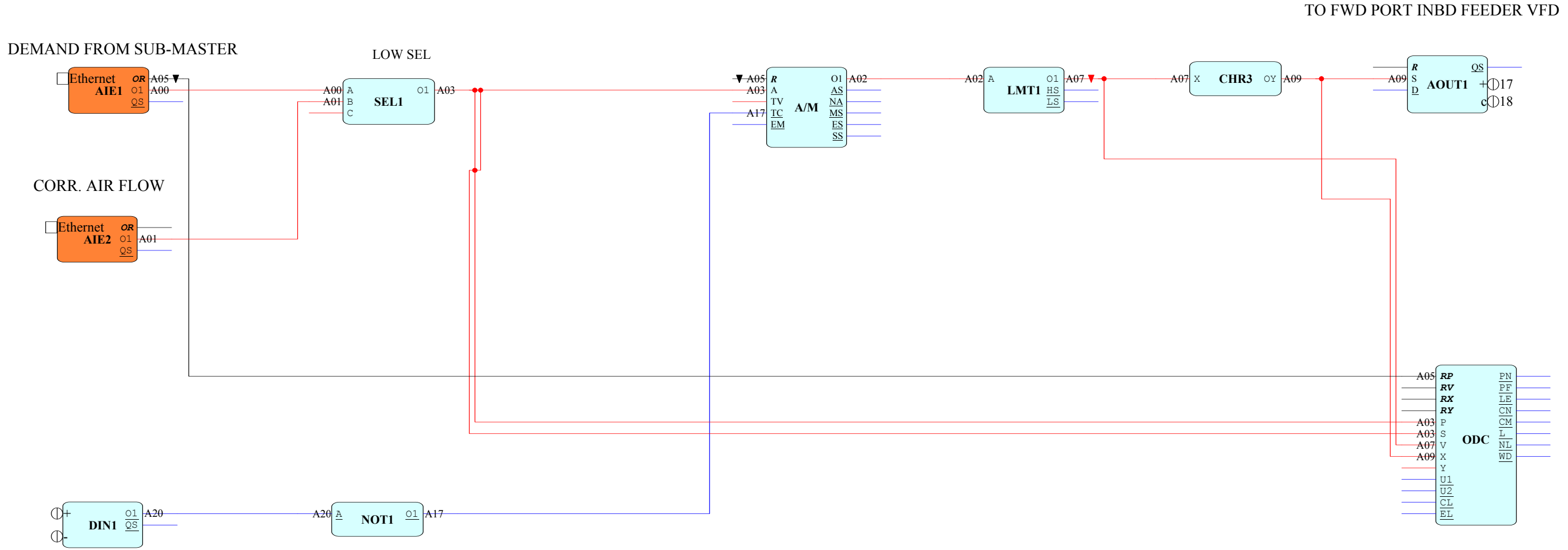
NO.	REVISION	BY	APP'D	DATE	COMPANY:		
					CUSTOMER:		
					DRAWN	DATE	TITLE:
					JCHLLC	1/14/14	SS BADGER FWD PORT I.D. FAN CONTROLLER
					APP'D	DATE	
					DRWG NO.:		

CONTAINS CONFIDENTIAL BUSINESS INFORMATION



NO.	REVISION	BY	APP'D	DATE	COMPANY:		
					CUSTOMER:		
					DRAWN	DATE	TITLE:
					JCHLLC	1/15/14	SS BADGER
					APP'D	DATE	FWD PORT
							AIR DISTRIBUTOR
							DRWG NO.:

**CONTAINS CONFIDENTIAL BUSINESS INFORMATION**



TO FWD PORT INBD FEEDER VFD

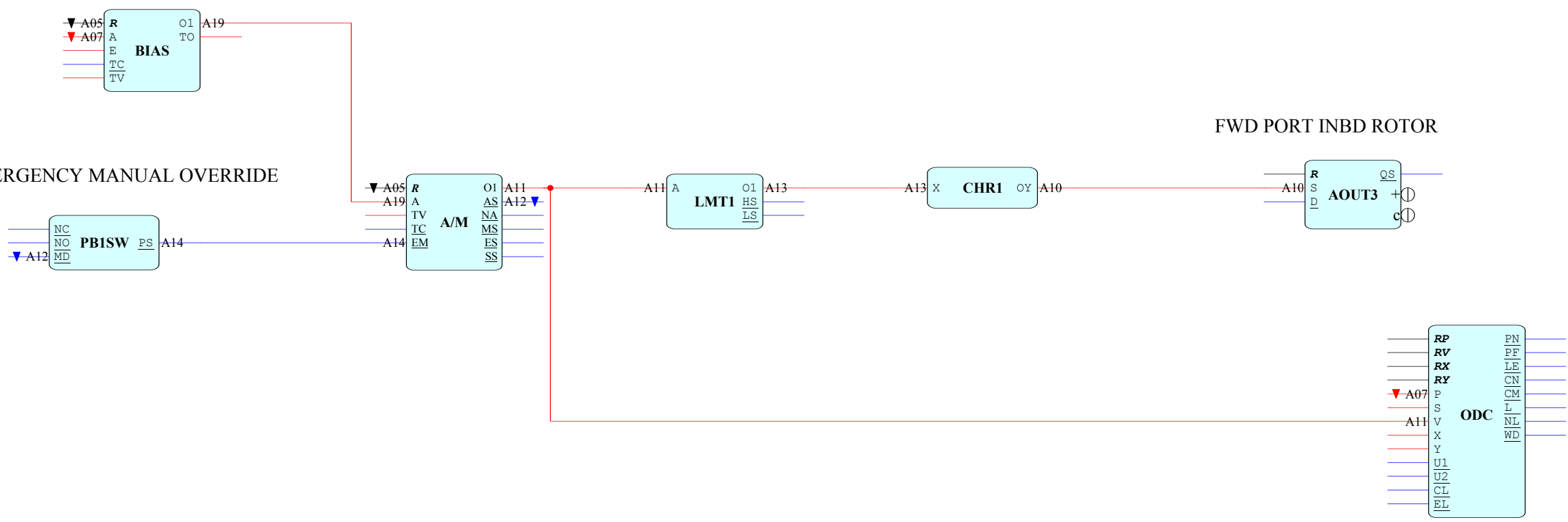
NO.	REVISION	BY	APP'D	DATE	COMPANY: [REDACTED]		
					CUSTOMER:		
					DRAWN	DATE	TITLE: SS BADGER FWD PORT INBOARD COAL FEEDER
					JCHLLC	1/15/14	
					APP'D	DATE	
							DRWG NO.:

CONTAINS CONFIDENTIAL BUSINESS INFORMATION

FWD PORT INBD FEEDER DEMAND OUT

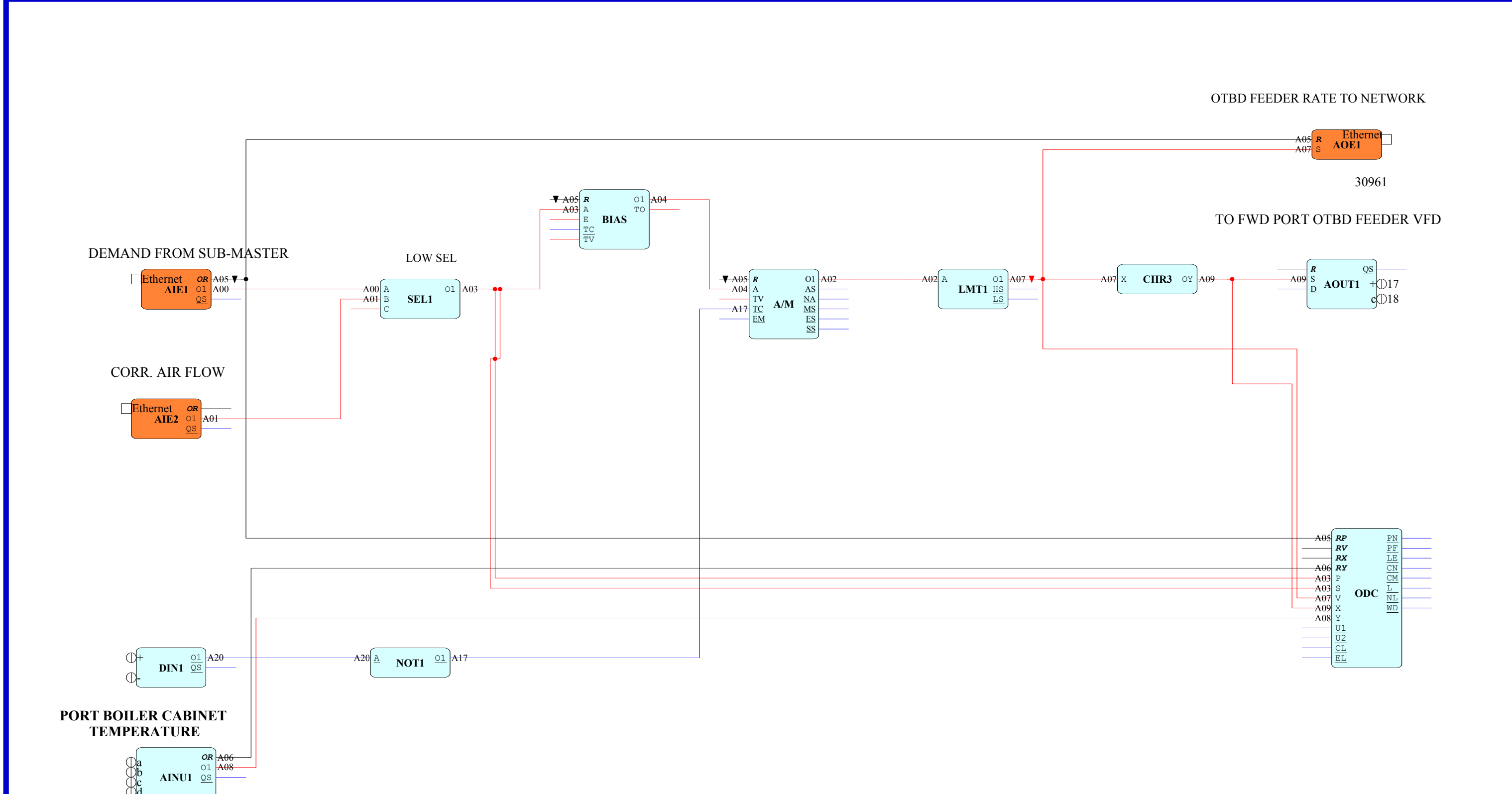
EMERGENCY MANUAL OVERRIDE

FWD PORT INBD ROTOR



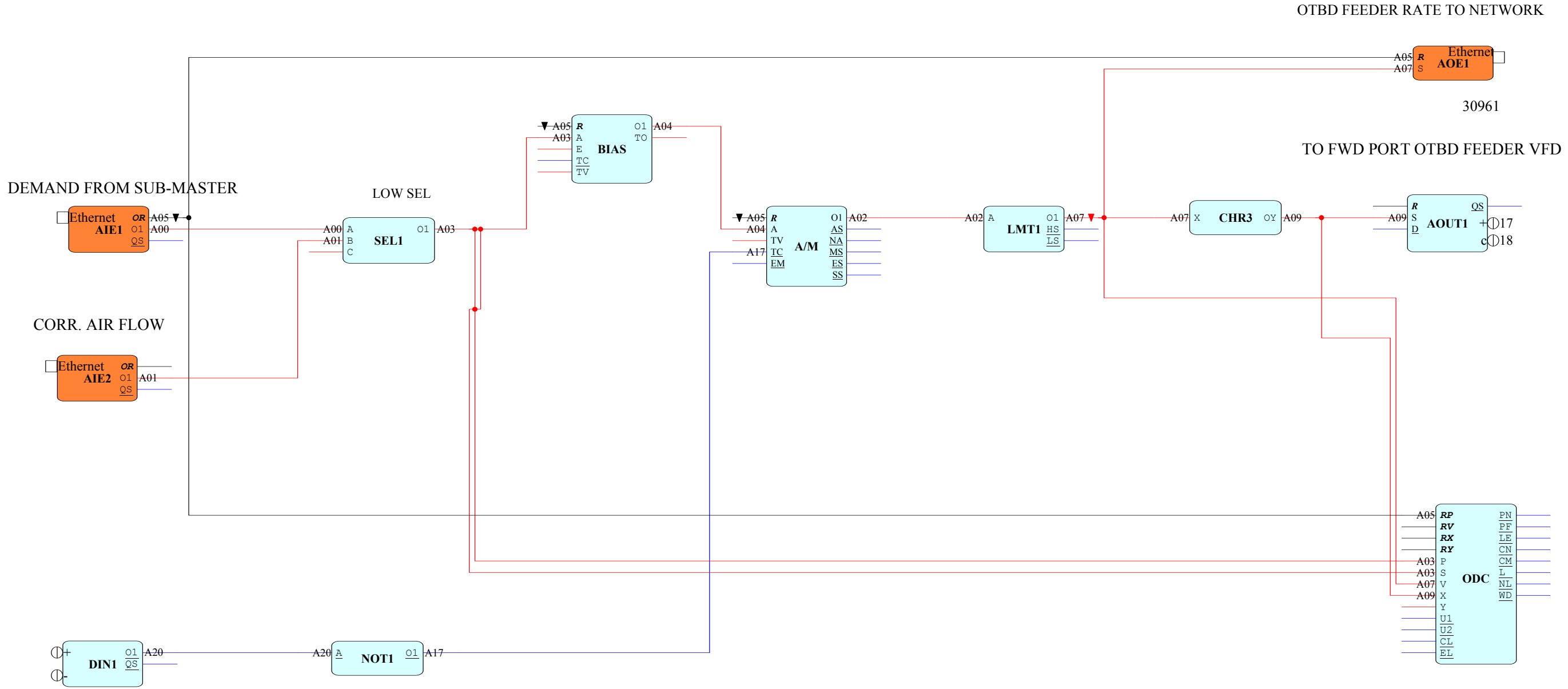
NO.	REVISION	BY	APP'D	DATE	COMPANY:		
					CUSTOMER:		
					DRAWN	DATE	TITLE:
					JCHLLC	1/15/14	SS BADGER FWD PORT INBD ROTOR LOOP
					APP'D	DATE	
					DRWG NO.:		

**CONTAINS CONFIDENTIAL BUSINESS INFORMATION**



NO.	REVISION	BY	APP'D	DATE	COMPANY:		
1	ADDED CAB TEMP	JCH		1/29/14	[REDACTED]		
					CUSTOMER:		
					DRAWN	DATE	TITLE:
					JCHLLC	1/15/14	SS BADGER
					APP'D	DATE	FWD PORT OUTBOARD
							COAL FEEDER
							DRWG NO.:

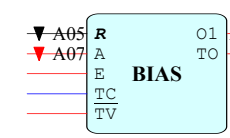
**CONTAINS CONFIDENTIAL BUSINESS INFORMATION**



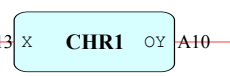
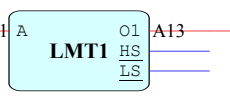
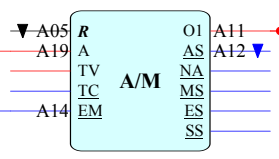
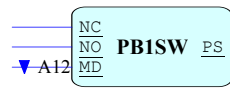
NO.	REVISION	BY	APP'D	DATE	COMPANY: [REDACTED]		
					CUSTOMER:		
					DRAWN	DATE	TITLE: SS BADGER
					JCHLLC	1/15/14	FWD PORT OUTBOARD
					APP'D	DATE	COAL FEEDER
					DRWG NO.:		

CONTAINS CONFIDENTIAL BUSINESS INFORMATION

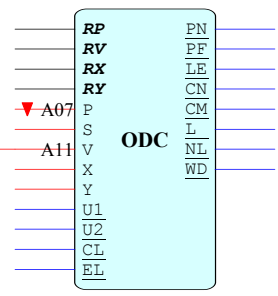
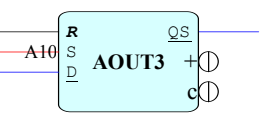
FWD PORT OTBD FEEDER DEMAND OUT



EMERGENCY MANUAL OVERRIDE

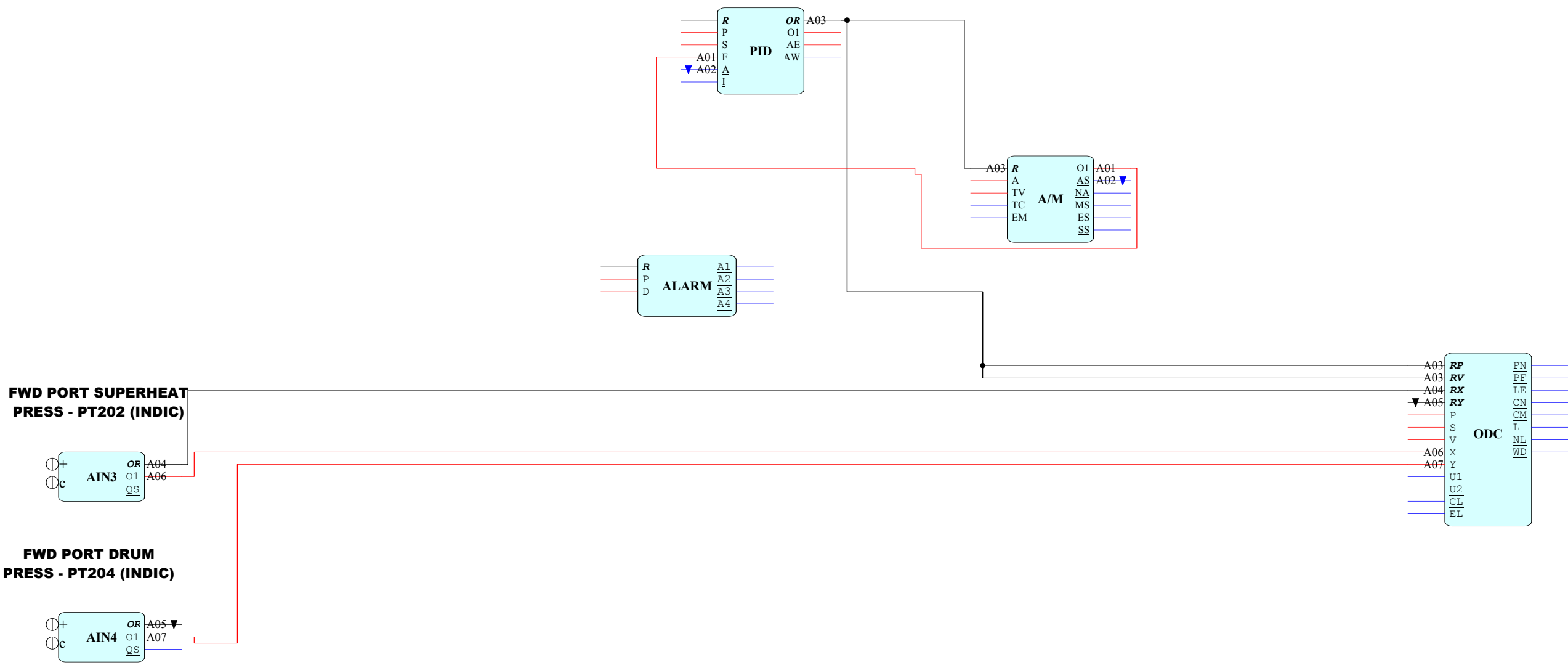


FWD PORT OTBD ROTOR



NO.	REVISION	BY	APP'D	DATE	COMPANY:		
					CUSTOMER:		
					DRAWN	DATE	TITLE:
					JCHLLC	1/15/14	SS BADGER FWD PORT OUTBOARD ROTOR LOOP
					APP'D	DATE	
					DRWG NO.:		

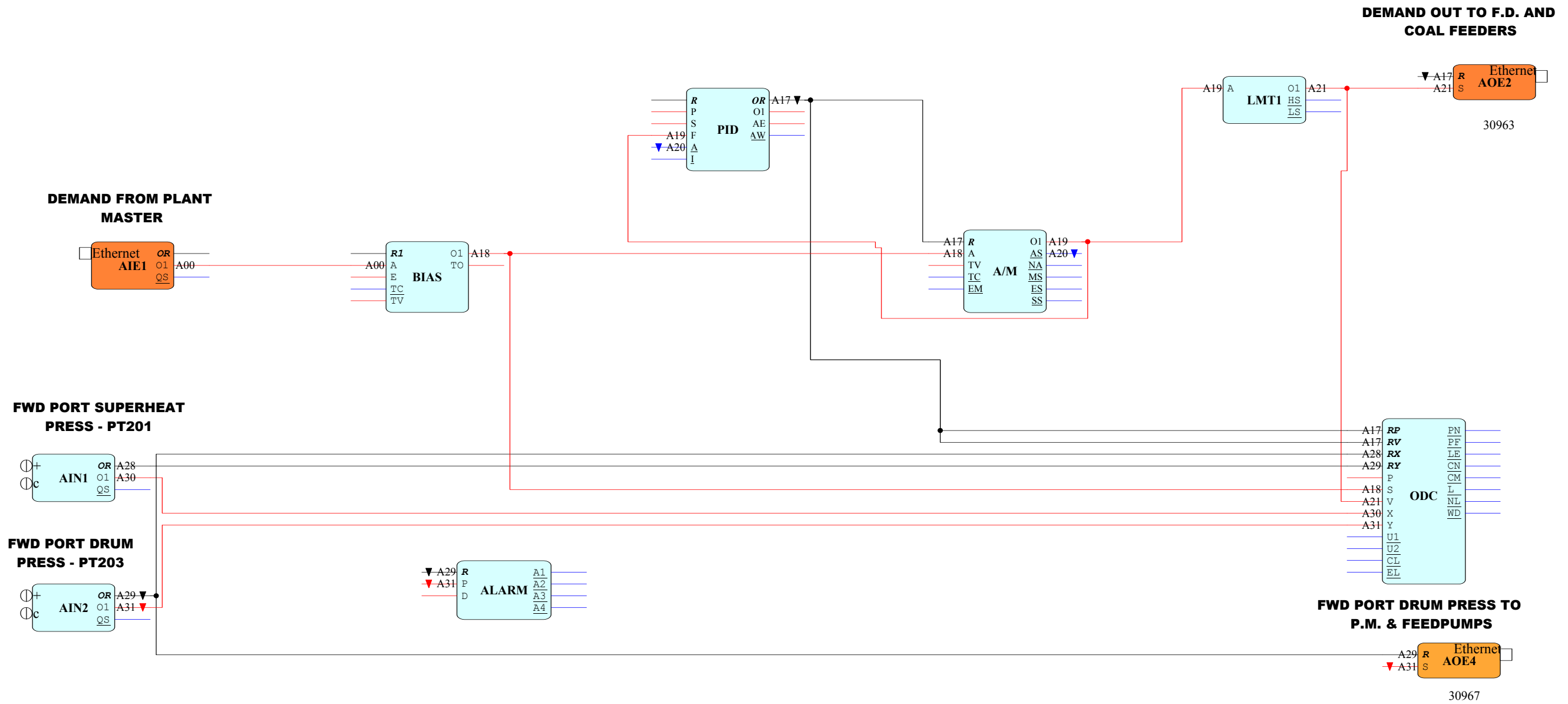
CONTAINS CONFIDENTIAL BUSINESS INFORMATION



NO.	REVISION	BY	APP'D	DATE	COMPANY: [REDACTED]		
					CUSTOMER:		
					DRAWN	DATE	TITLE:
					JCHLLC	1/24/14	SS BADGER FWD PORT BLR STEAM PRESS LOOP
					APP'D	DATE	
					DRWG NO.:		

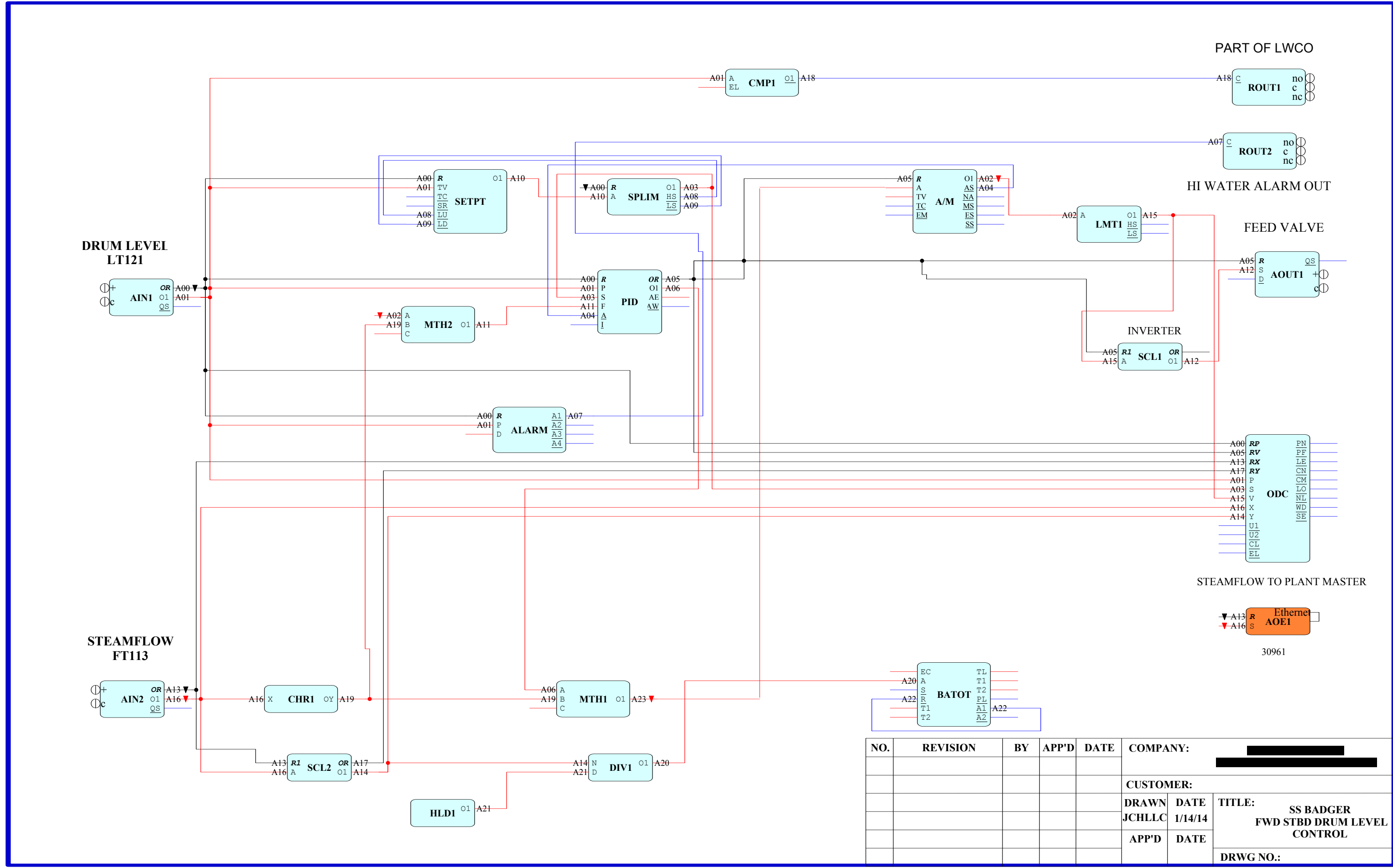


CONTAINS CONFIDENTIAL BUSINESS INFORMATION

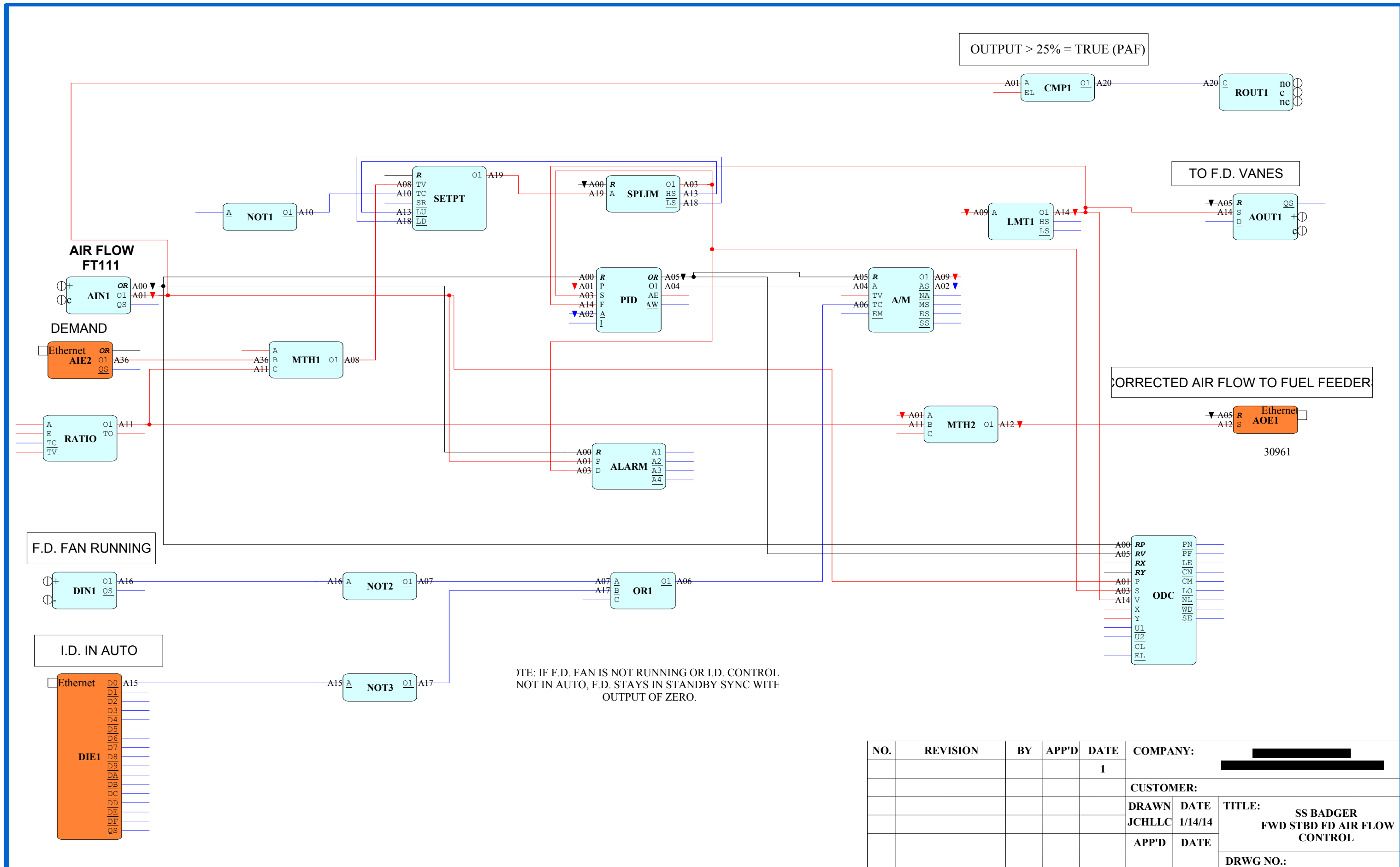


NO.	REVISION	BY	APP'D	DATE	COMPANY:		
					CUSTOMER:		
					DRAWN	DATE	TITLE:
					JCHLLC	1/14/14	SS BADGER FWD PORT BLR SUB-MASTER W/ BIAS
					APP'D	DATE	
							DRWG NO.:

CONTAINS CONFIDENTIAL BUSINESS INFORMATION

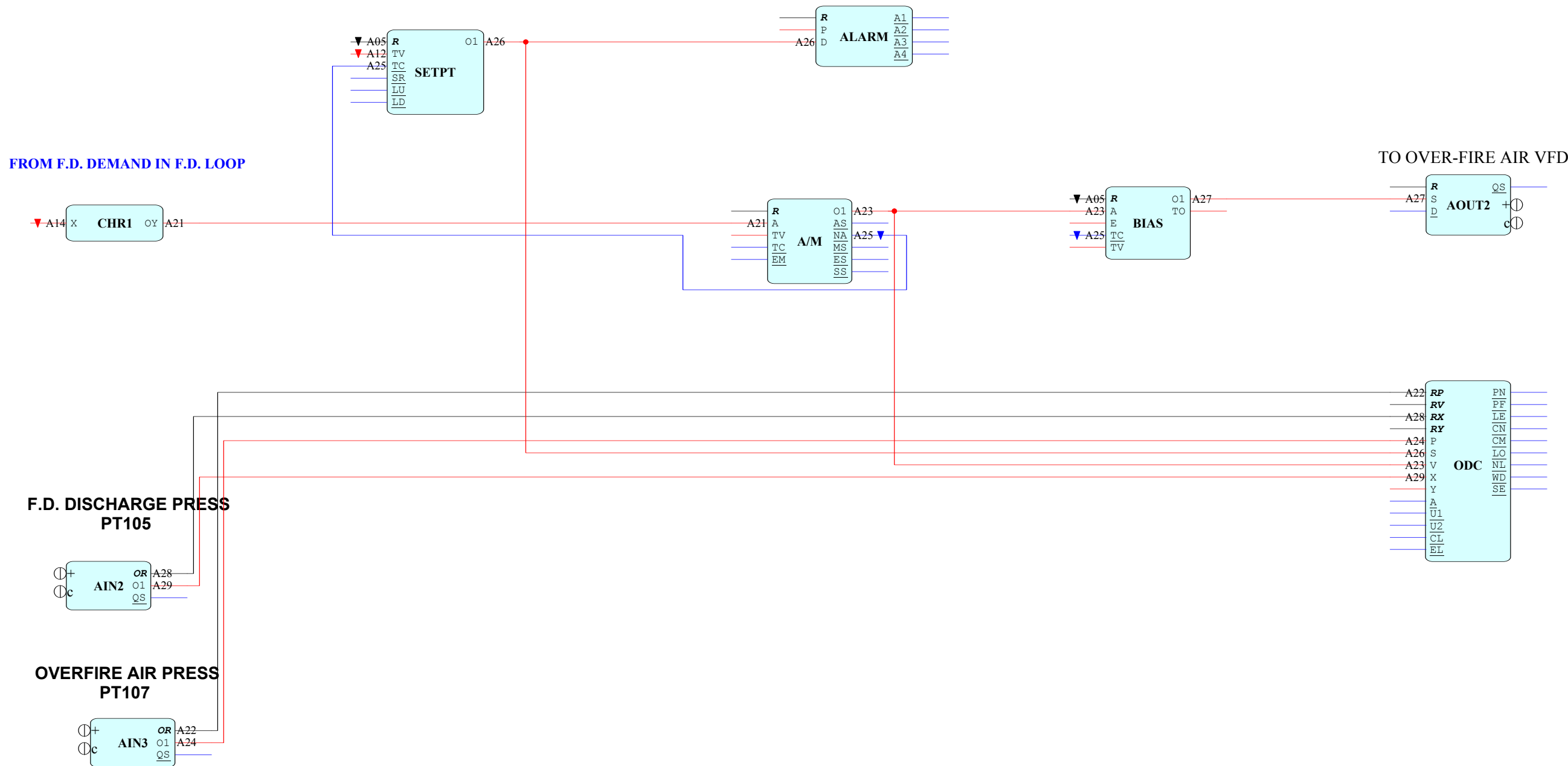


NO.	REVISION	BY	APP'D	DATE	COMPANY:	CUSTOMER:		TITLE:
								SS BADGER
						JCHLLC	1/14/14	FWD STBD DRUM LEVEL CONTROL
						APP'D	DATE	DRWG NO.:

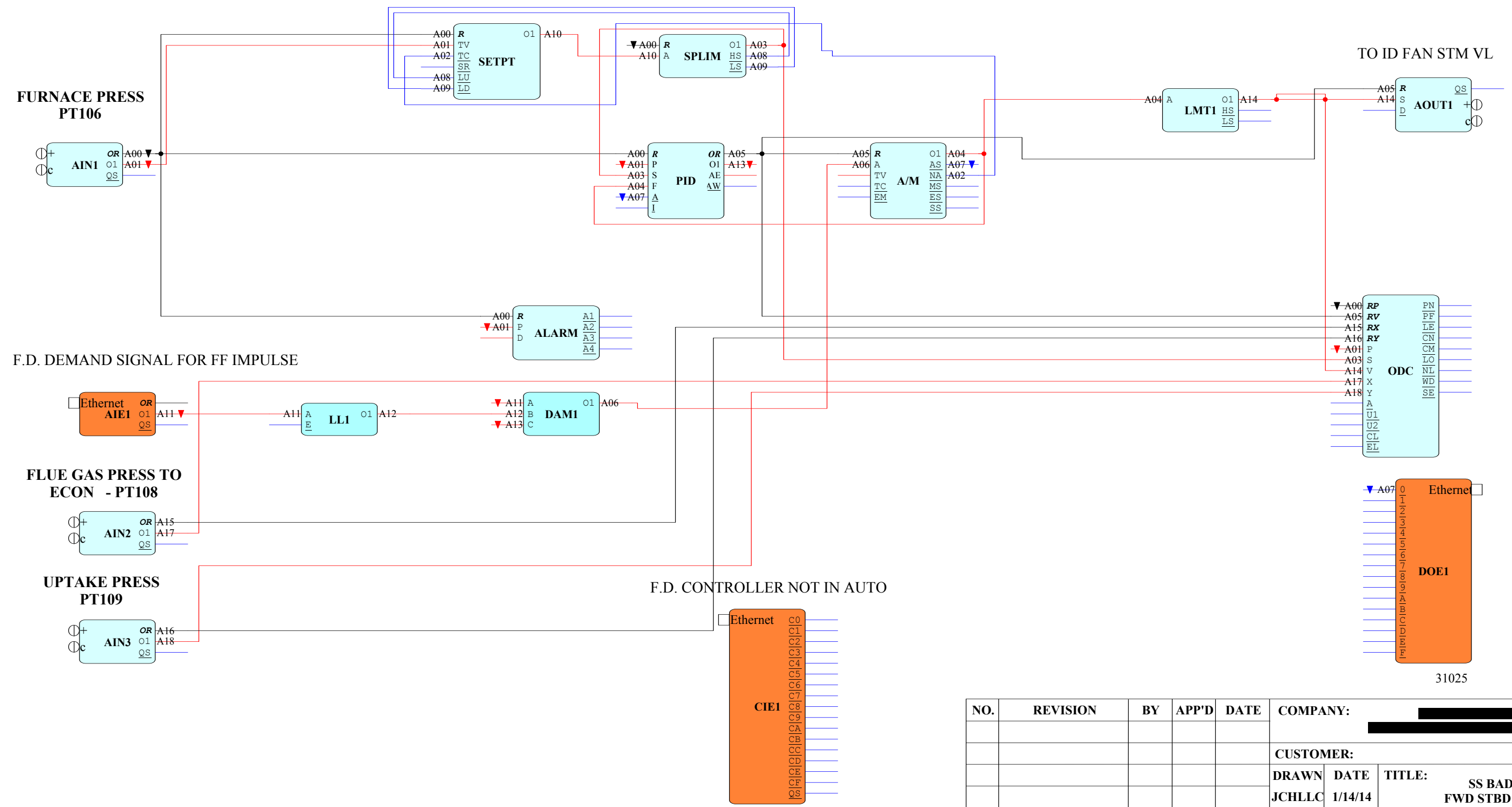


NO.	REVISION	BY	APP'D	DATE	COMPANY:			
				1				
					<b>CUSTOMER:</b>			
					<b>DRAWN</b>	<b>DATE</b>	<b>TITLE:</b>	
					JCHLLC	1/14/14	SS BADGER FWD STBD FD AIR FLOW CONTROL	
					<b>APP'D</b>	<b>DATE</b>		
					<b>DRWG NO.:</b>			

CONTAINS CONFIDENTIAL BUSINESS INFORMATION



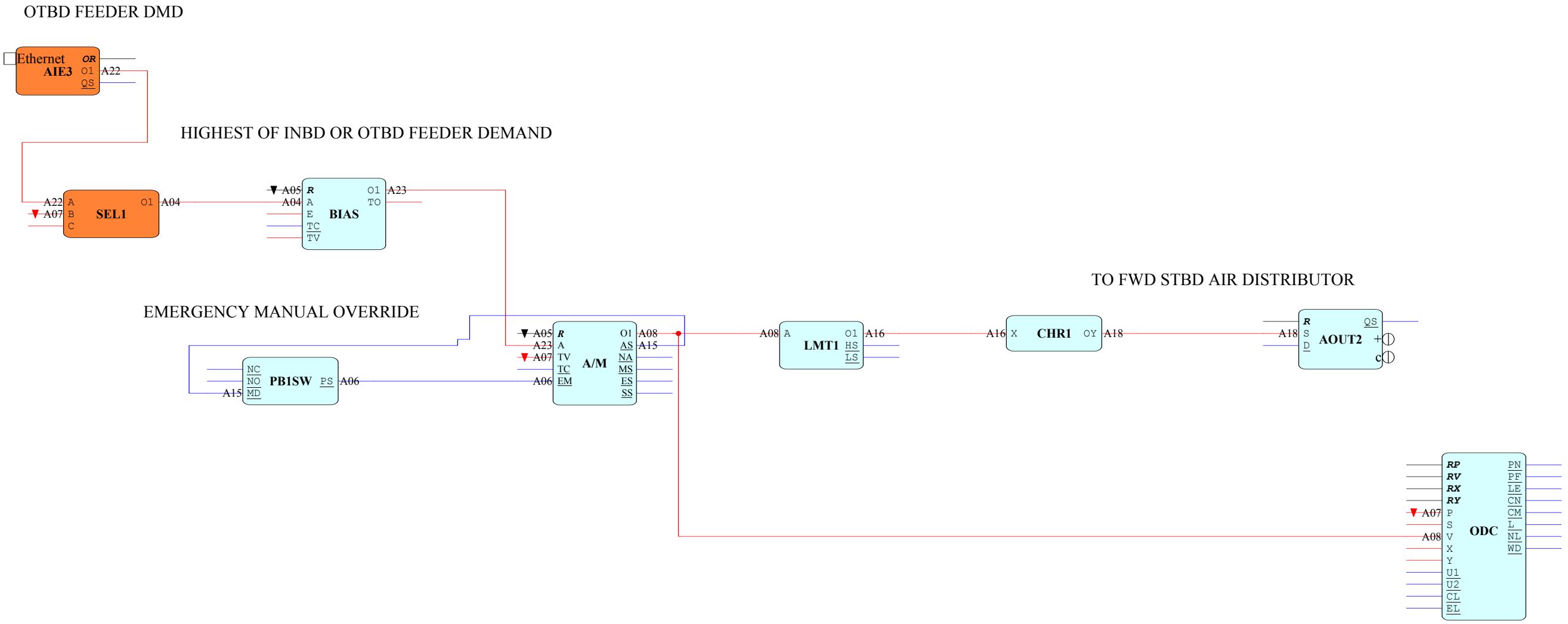
NO.	REVISION	BY	APP'D	DATE	COMPANY:		
					CUSTOMER:		
					DRAWN	DATE	TITLE: SS BADGER
					JCHLLC	1/14/14	FWD STBD
					APP'D	DATE	OVERFIRE AIR LOOP
					DRWG NO.:		



NO.	REVISION	BY	APP'D	DATE	COMPANY:		
						CUSTOMER:	
					DRAWN	DATE	TITLE:
					JCHLLC	1/14/14	SS BADGER FWD STBD I.D. FAN CONTROLLER
					APP'D	DATE	DRWG NO.:

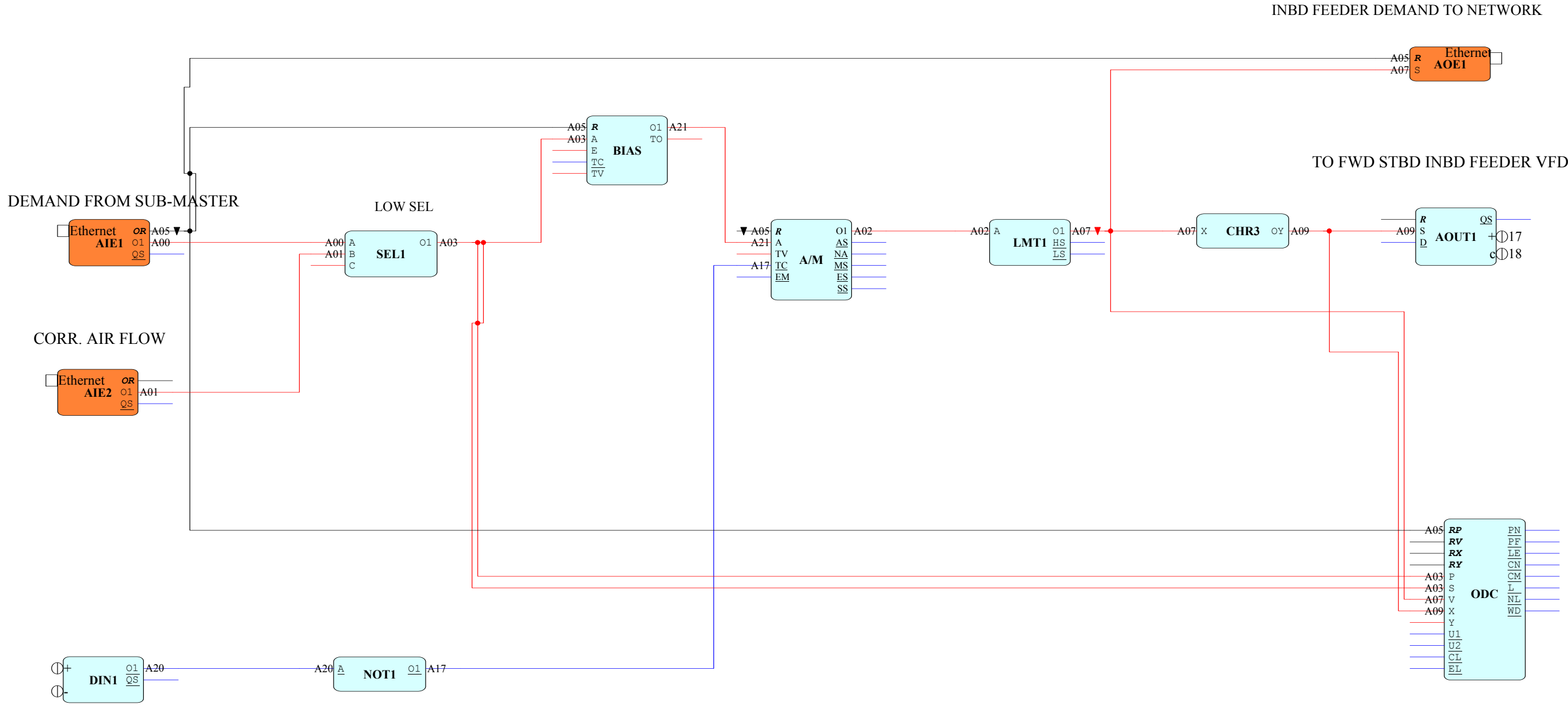
31025

**CONTAINS CONFIDENTIAL BUSINESS INFORMATION**



NO.	REVISION	BY	APP'D	DATE	COMPANY:		
					CUSTOMER:		
					DRAWN	DATE	TITLE:
					JCHLLC	1/15/14	SS BADGER FWD STBD AIR DISTRIBUTOR
					APP'D	DATE	
							DRWG NO.:

**CONTAINS CONFIDENTIAL BUSINESS INFORMATION**



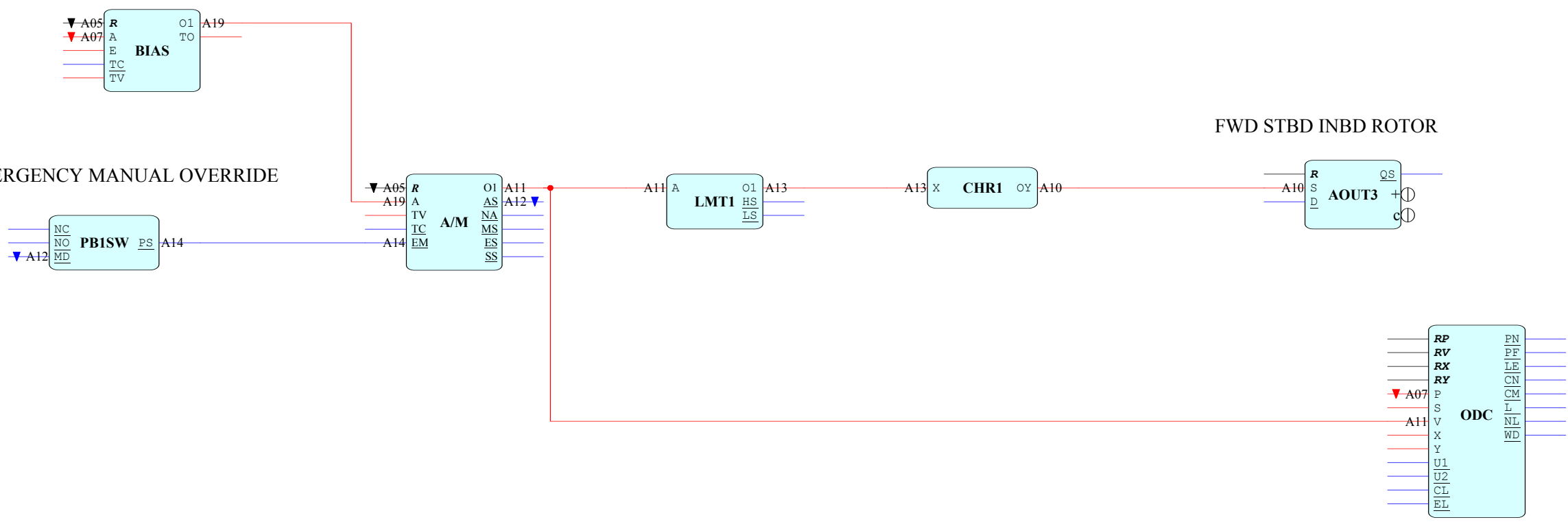
NO.	REVISION	BY	APP'D	DATE	COMPANY: [REDACTED]		
					CUSTOMER:		
					DRAWN	DATE	TITLE: SS BADGER
					JCHLLC	1/15/14	FWD STBD INBOARD
					APP'D	DATE	COAL FEEDER
					DRWG NO.:		

CONTAINS CONFIDENTIAL BUSINESS INFORMATION

FWD STBD INBD FEEDER DEMAND OUT

EMERGENCY MANUAL OVERRIDE

FWD STBD INBD ROTOR

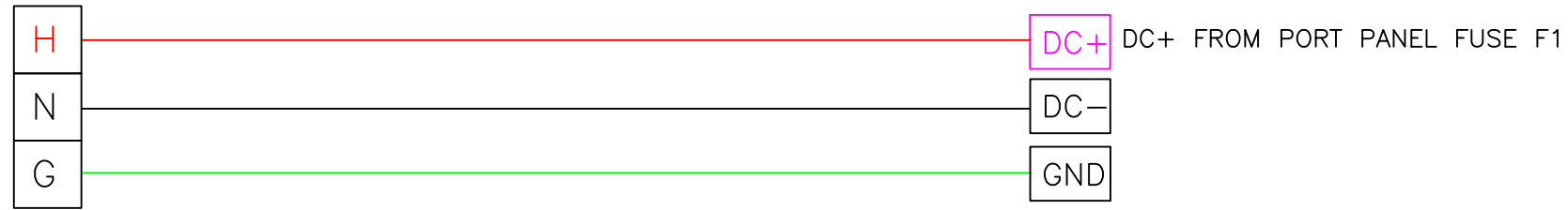


NO.	REVISION	BY	APP'D	DATE	COMPANY: ██████████		
					CUSTOMER: ██████████		
					DRAWN	DATE	TITLE: SS BADGER FWD STBD INBD ROTOR LOOP
					JCHLLC	1/15/14	
					APP'D	DATE	
					DRWG NO.:		

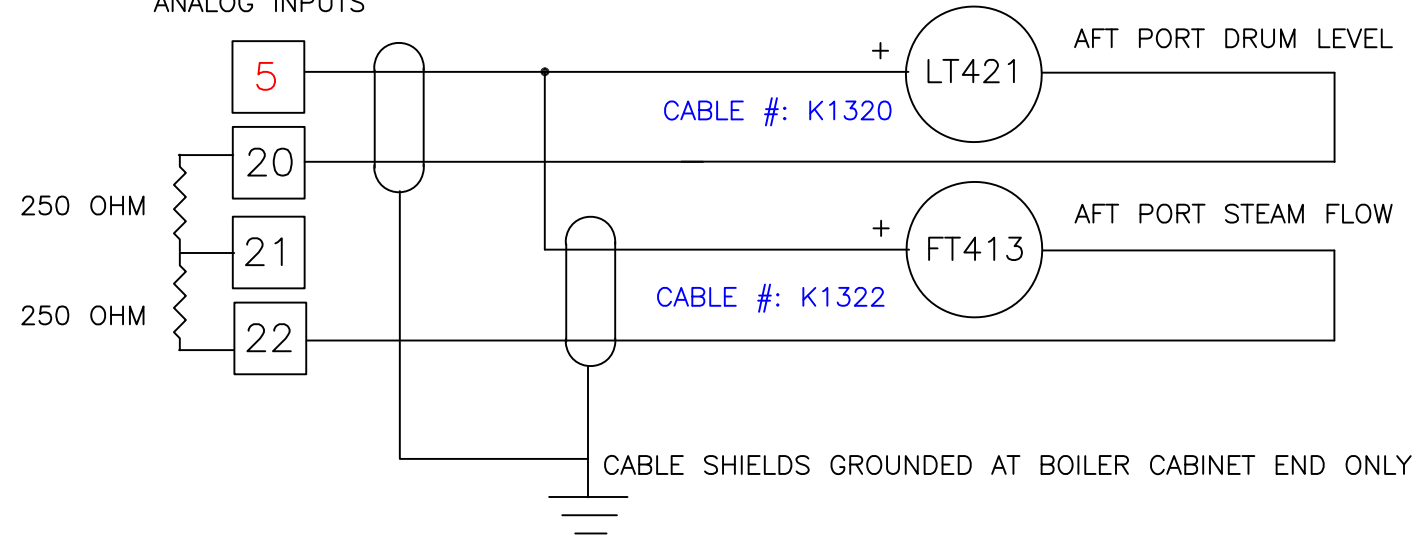


STA. POWER TERMINALS

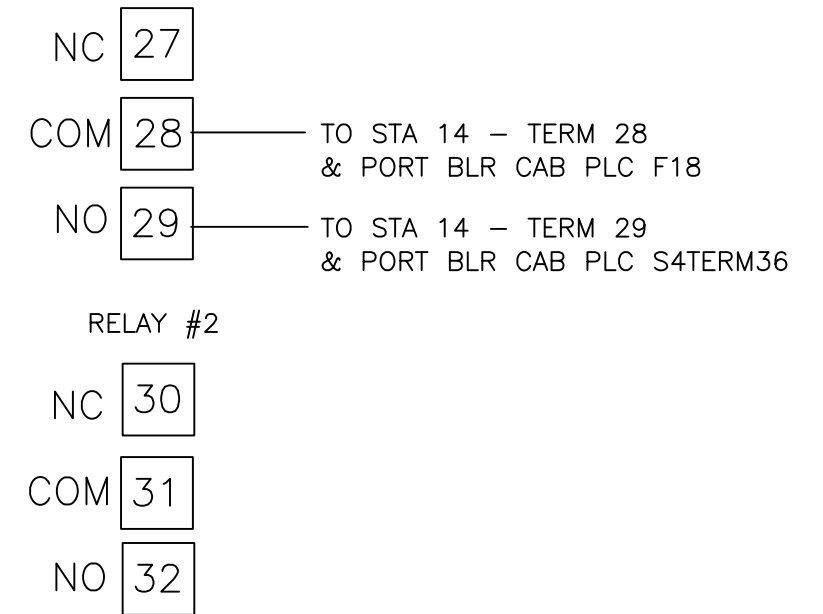
CABINET DC POWER DISTRIBUTION



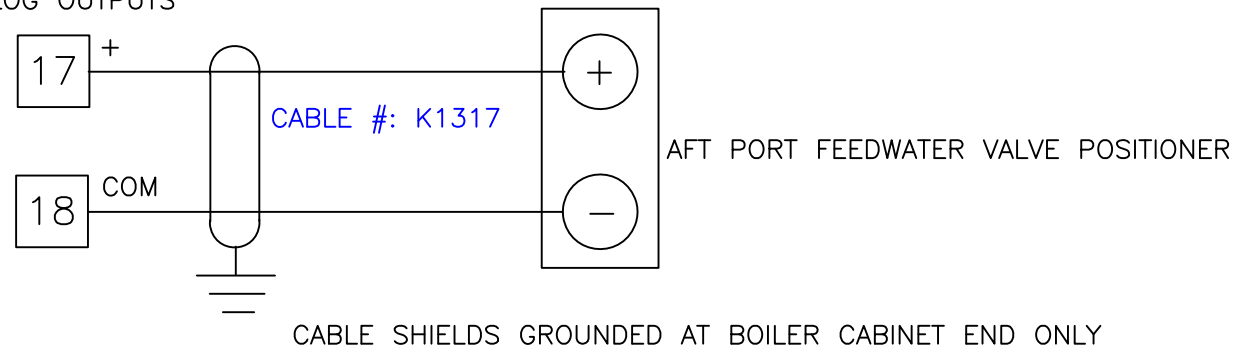
ANALOG INPUTS



ALARM RELAY OUT



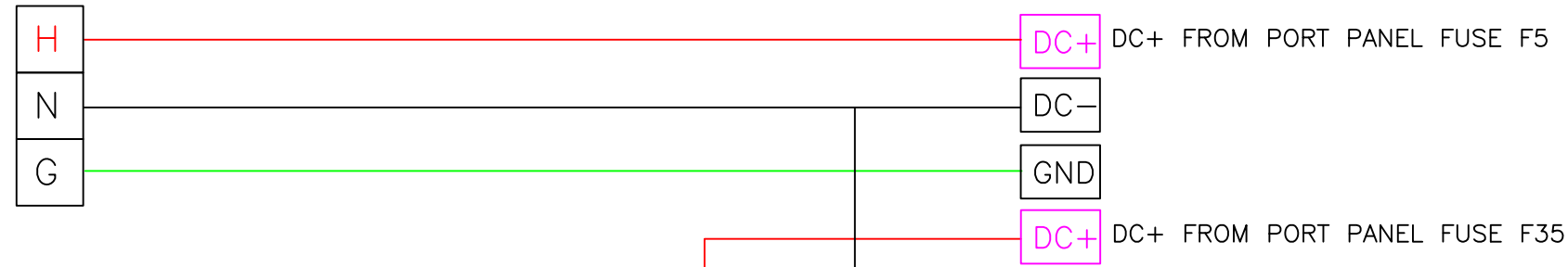
ANALOG OUTPUTS



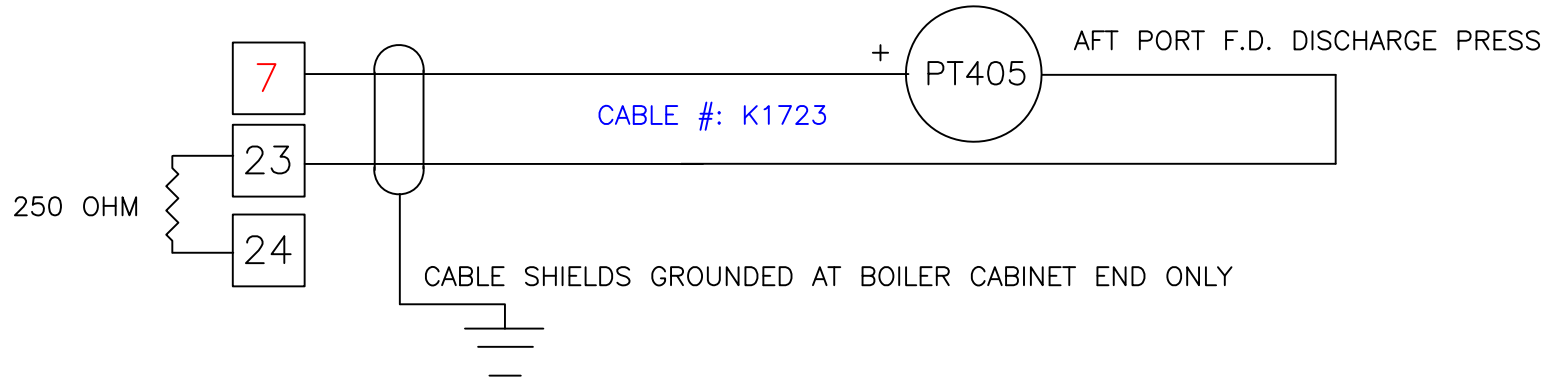
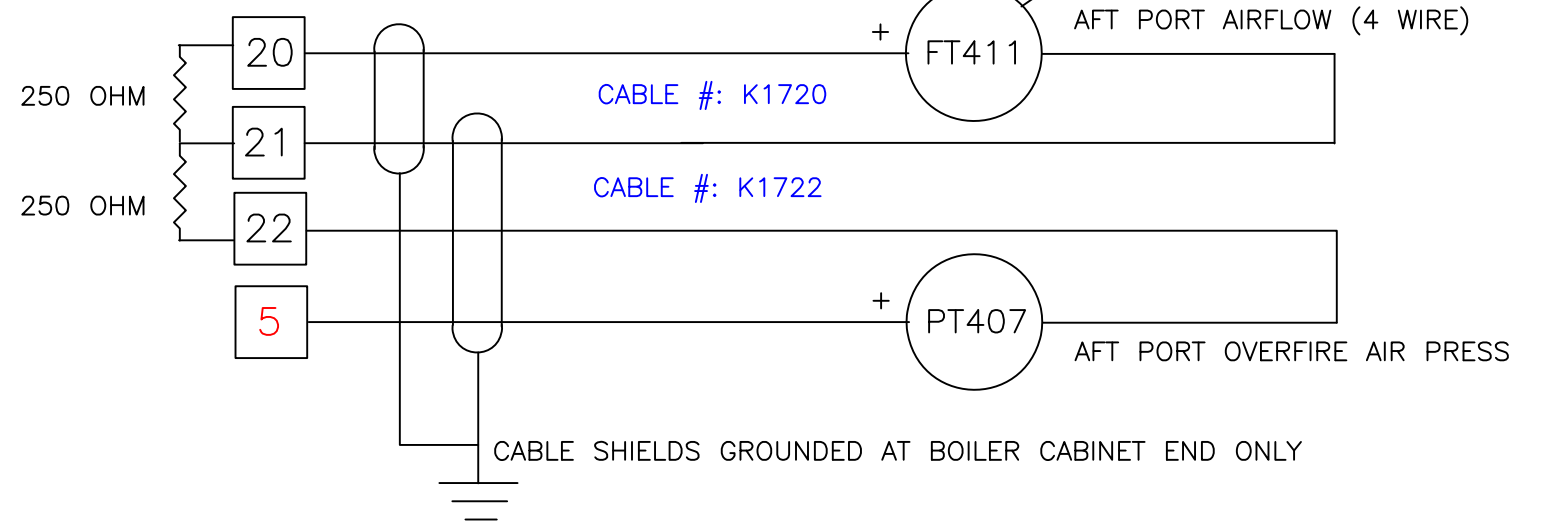
SS BADGER  
STATION 13 - AFT PORT DRUM LEVEL  
WIRING DETAILS

STA. POWER TERMINALS

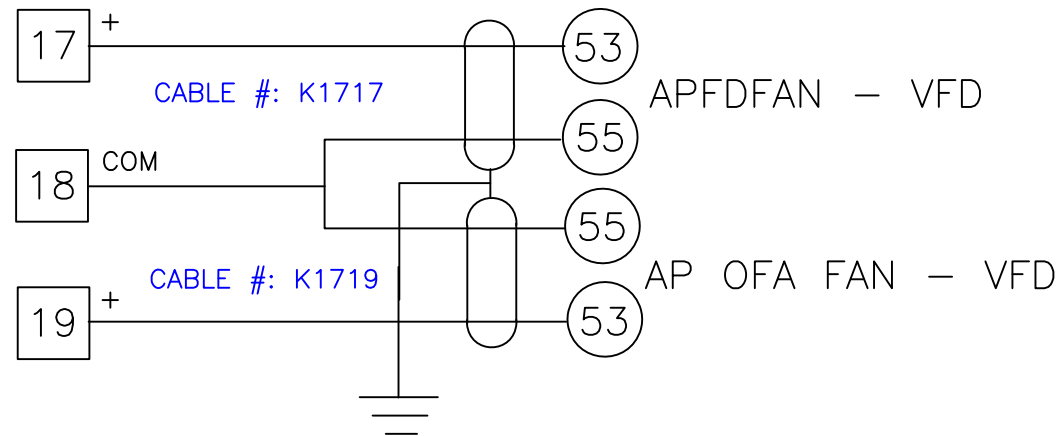
CABINET DC POWER DISTRIBUTION



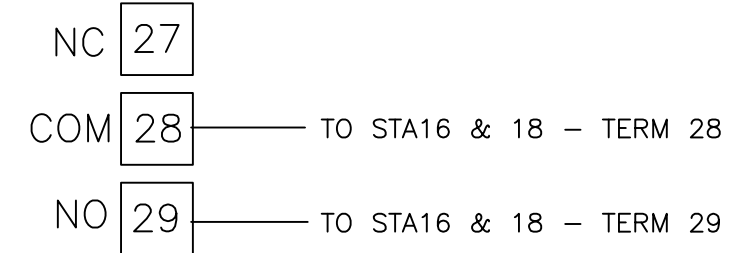
ANALOG INPUTS



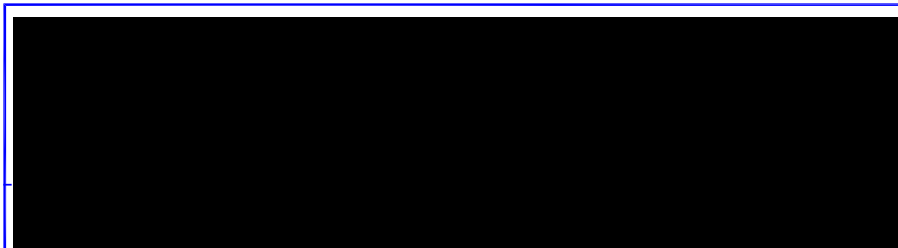
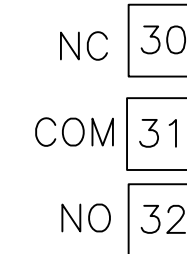
ANALOG OUTPUTS



ALARM RELAY OUT



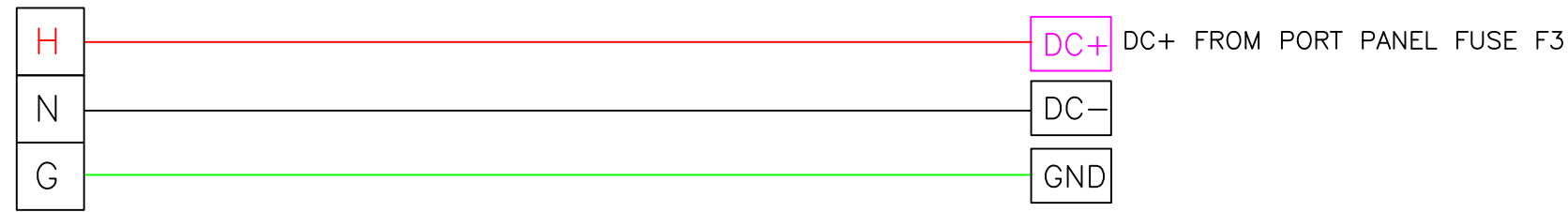
RELAY #2



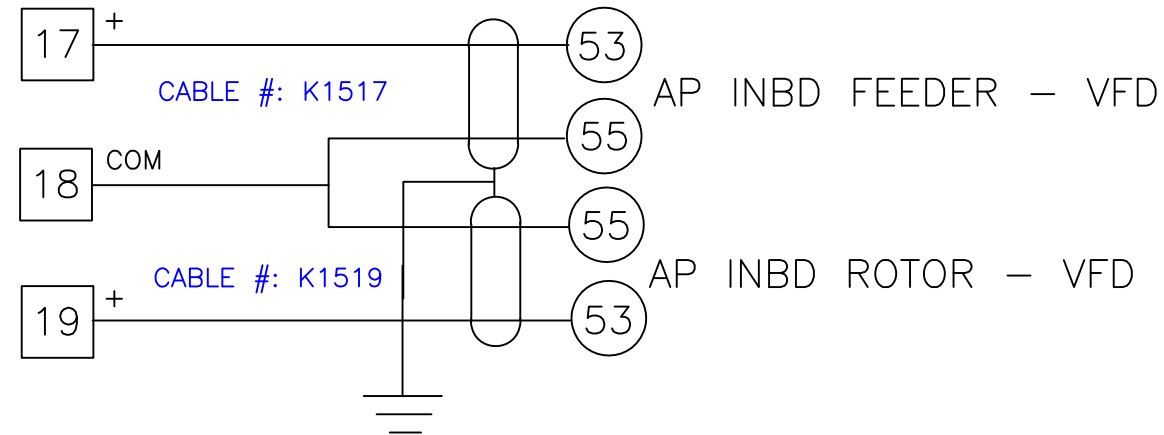
SS BADGER  
STATION 17 - AFT PORT FORCED DRAFT  
WIRING DETAILS

STA. POWER TERMINALS

CABINET DC POWER DISTRIBUTION

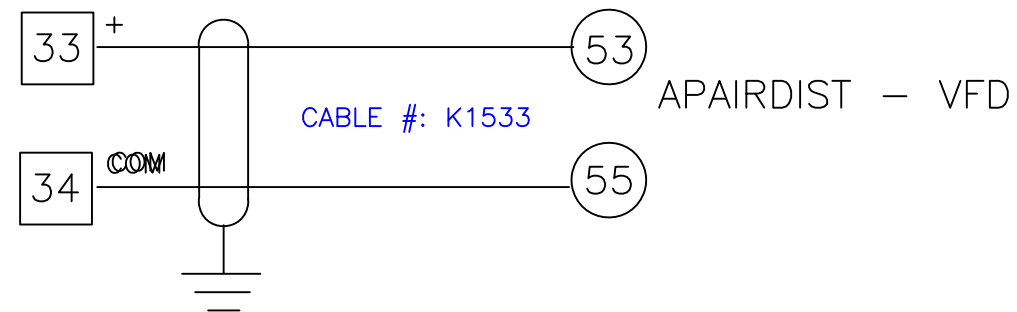


ANALOG OUTPUTS



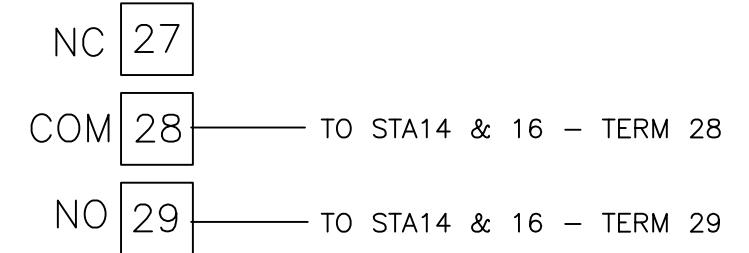
CABLE SHIELDS GROUNDED AT BOILER CABINET END ONLY

ANALOG OUTPUTS

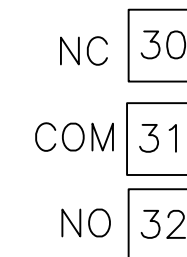


CABLE SHIELDS GROUNDED AT BOILER CABINET END ONLY

ALARM RELAY OUT



RELAY #2



SS BADGER  
STATION 15 - AFT PORT INBD FEEDER  
WIRING DETAILS

DRAWING NAME: STA15.DWG

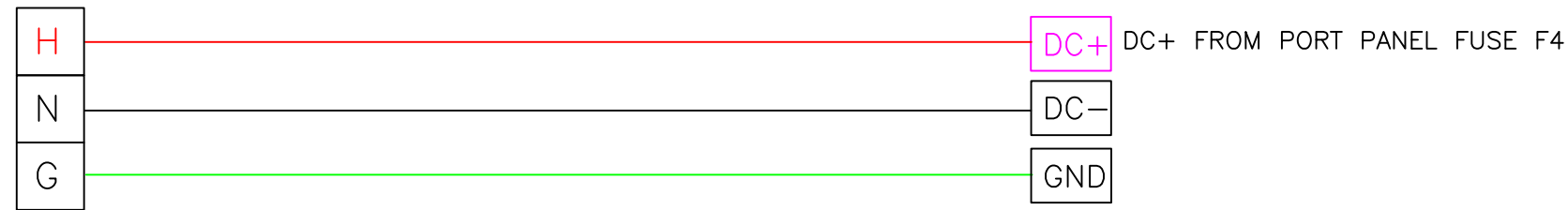
DRAWING NUMBER:

BY: JCHLLC DATE: 1/30/14

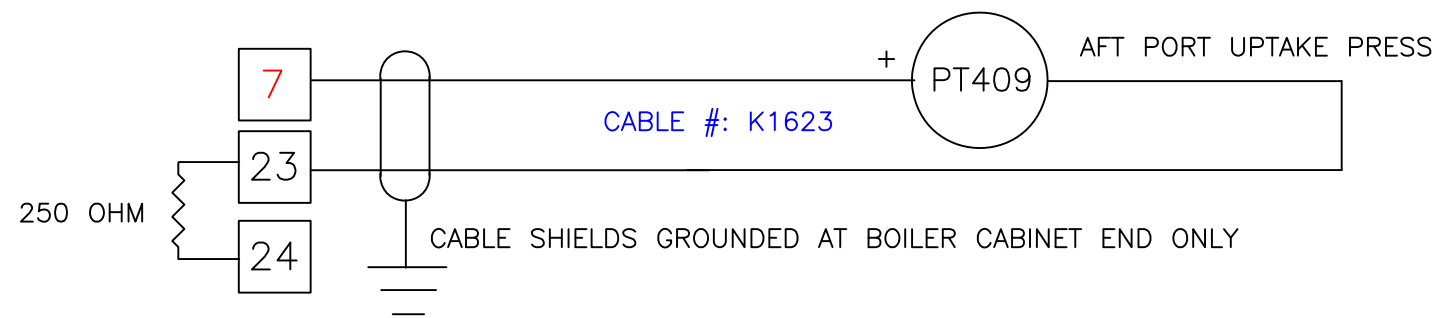
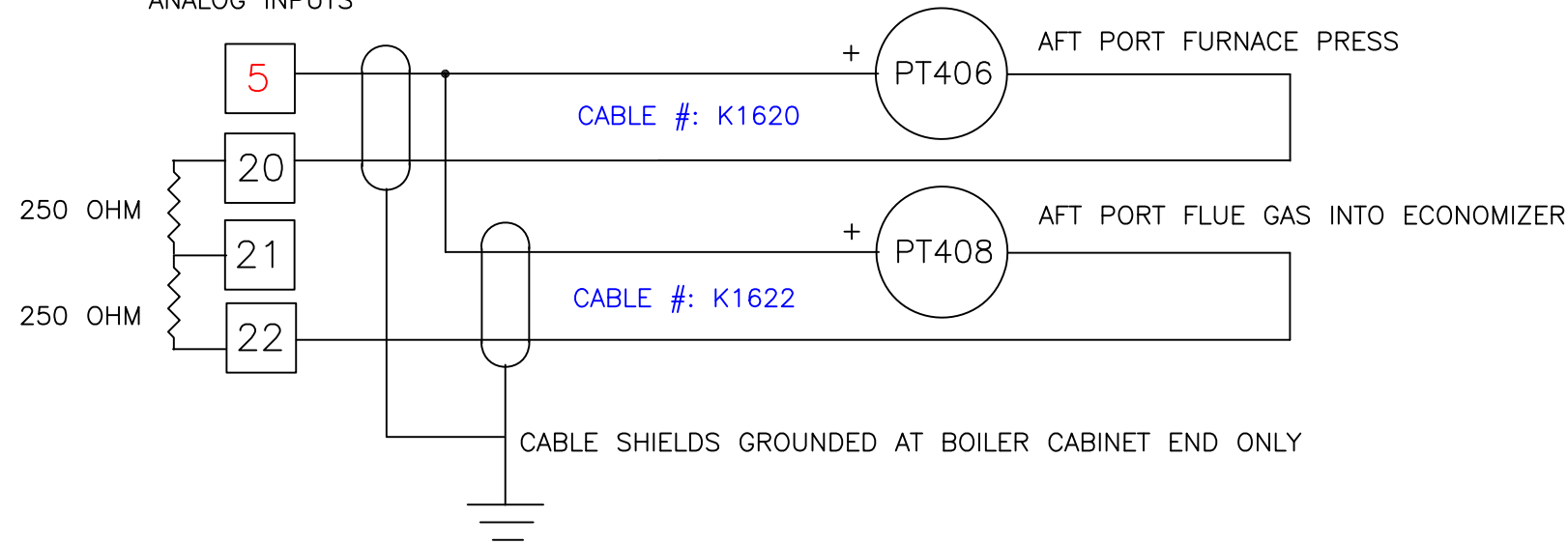
SHEET \_\_\_ OF \_\_\_

STA. POWER TERMINALS

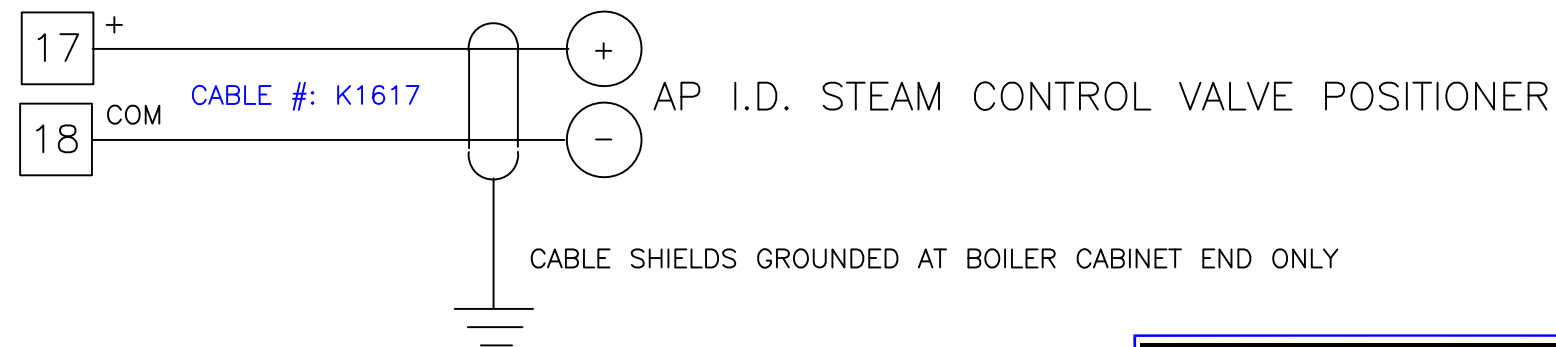
CABINET DC POWER DISTRIBUTION



ANALOG INPUTS



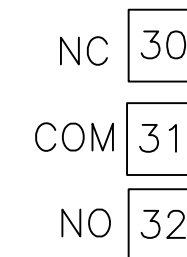
ANALOG OUTPUTS



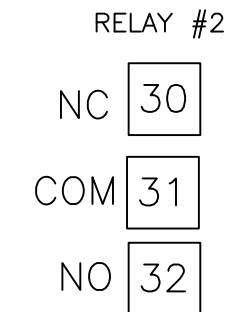
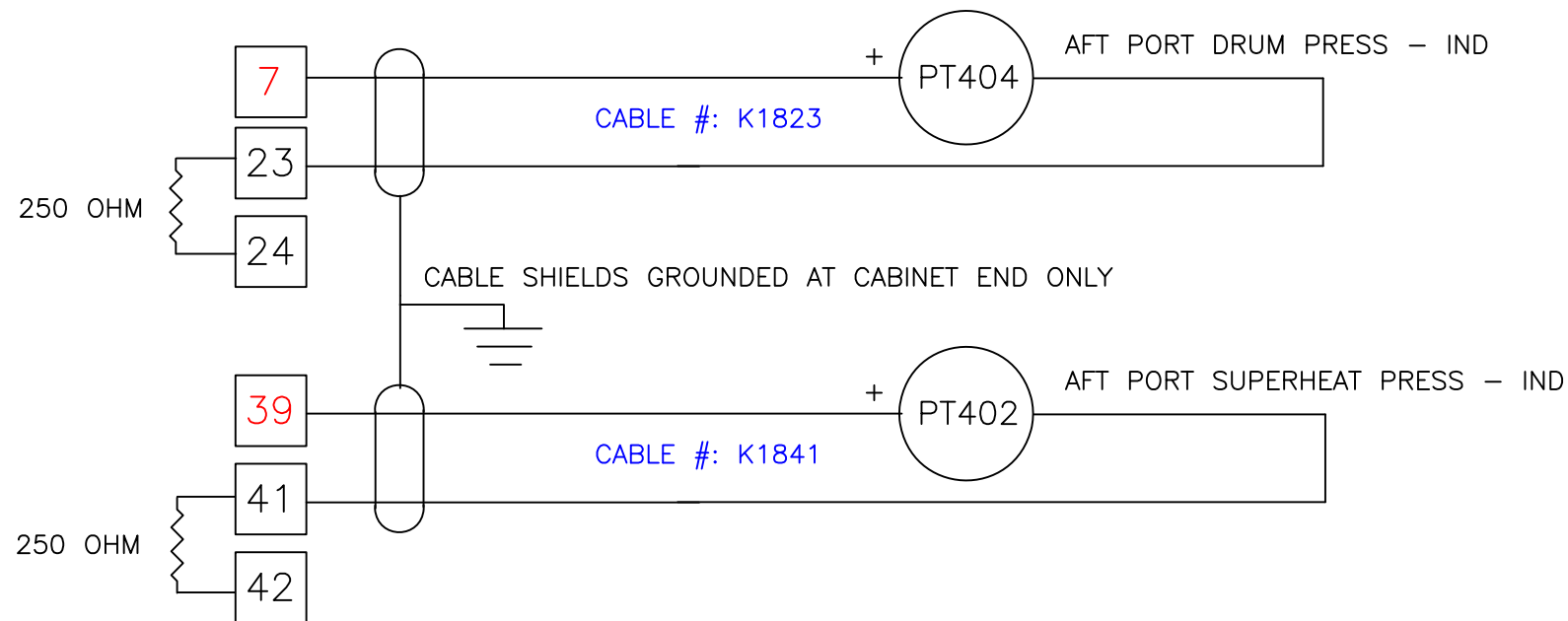
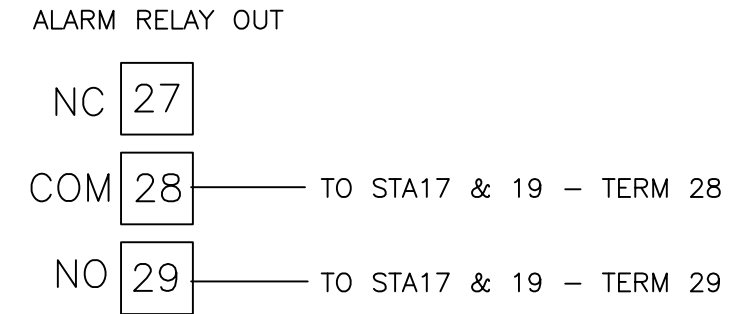
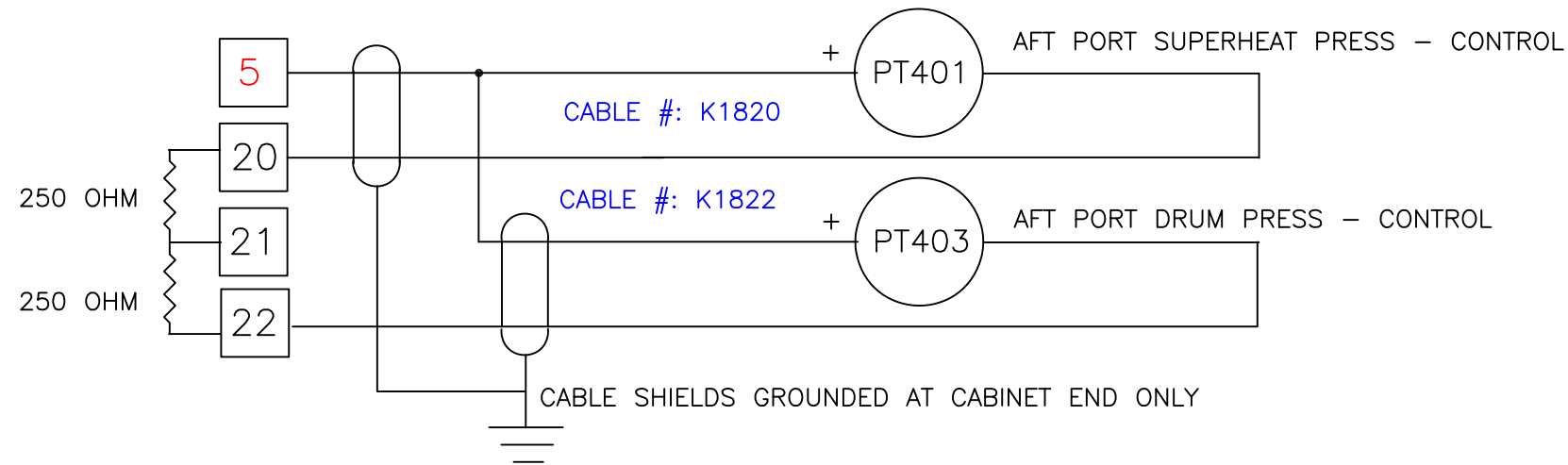
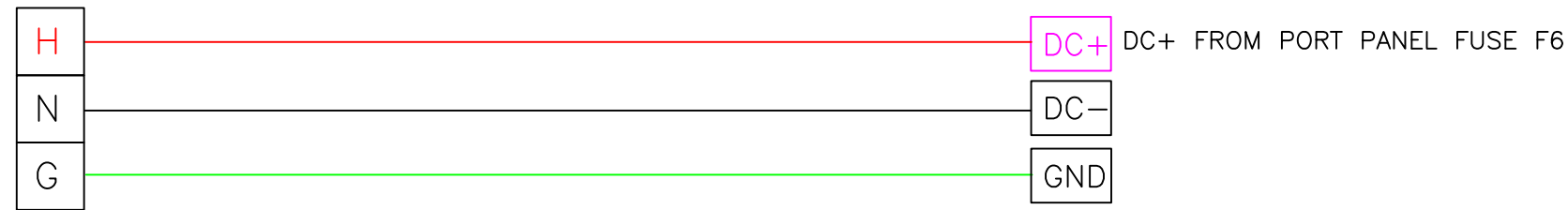
ALARM RELAY OUT



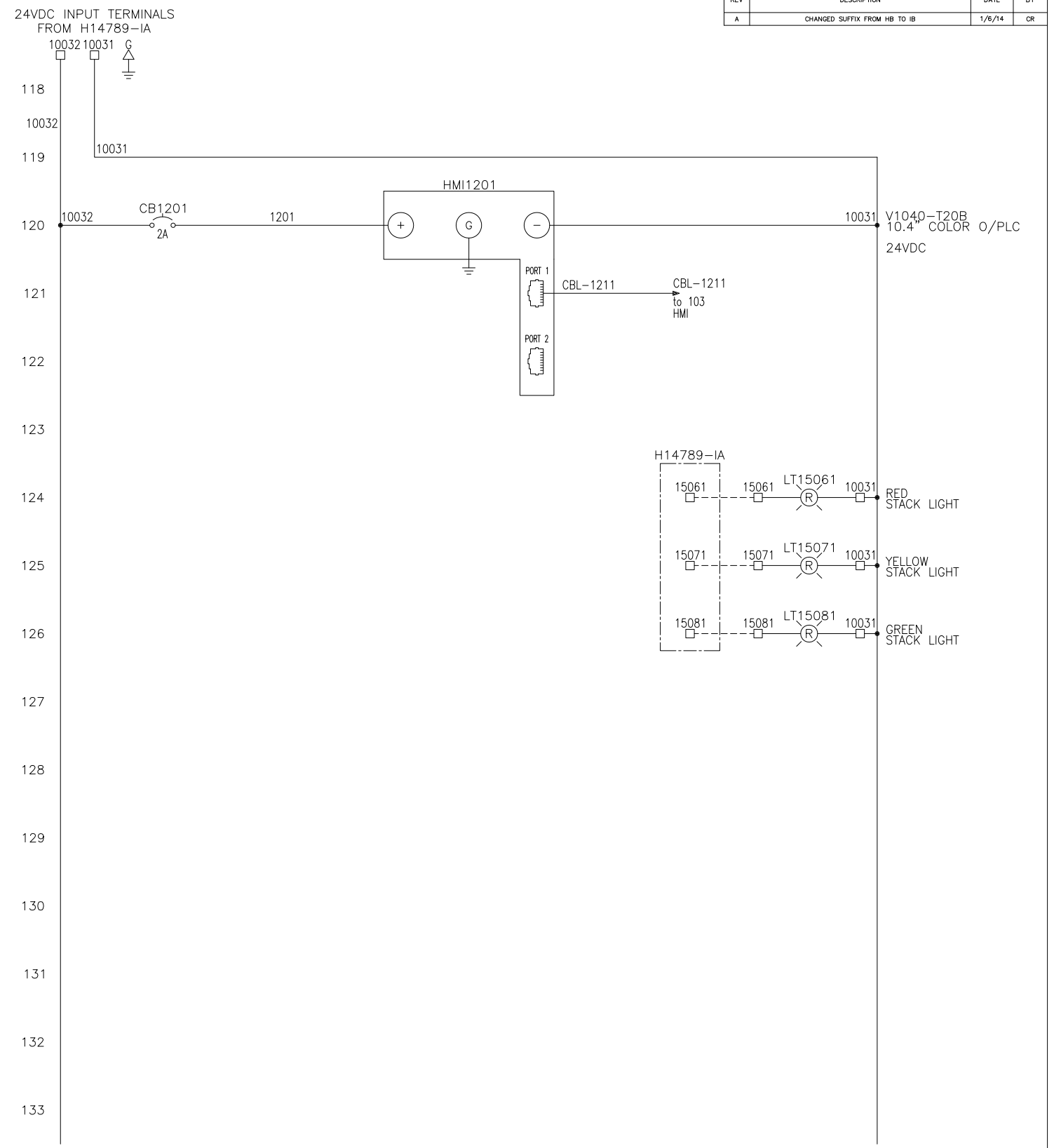
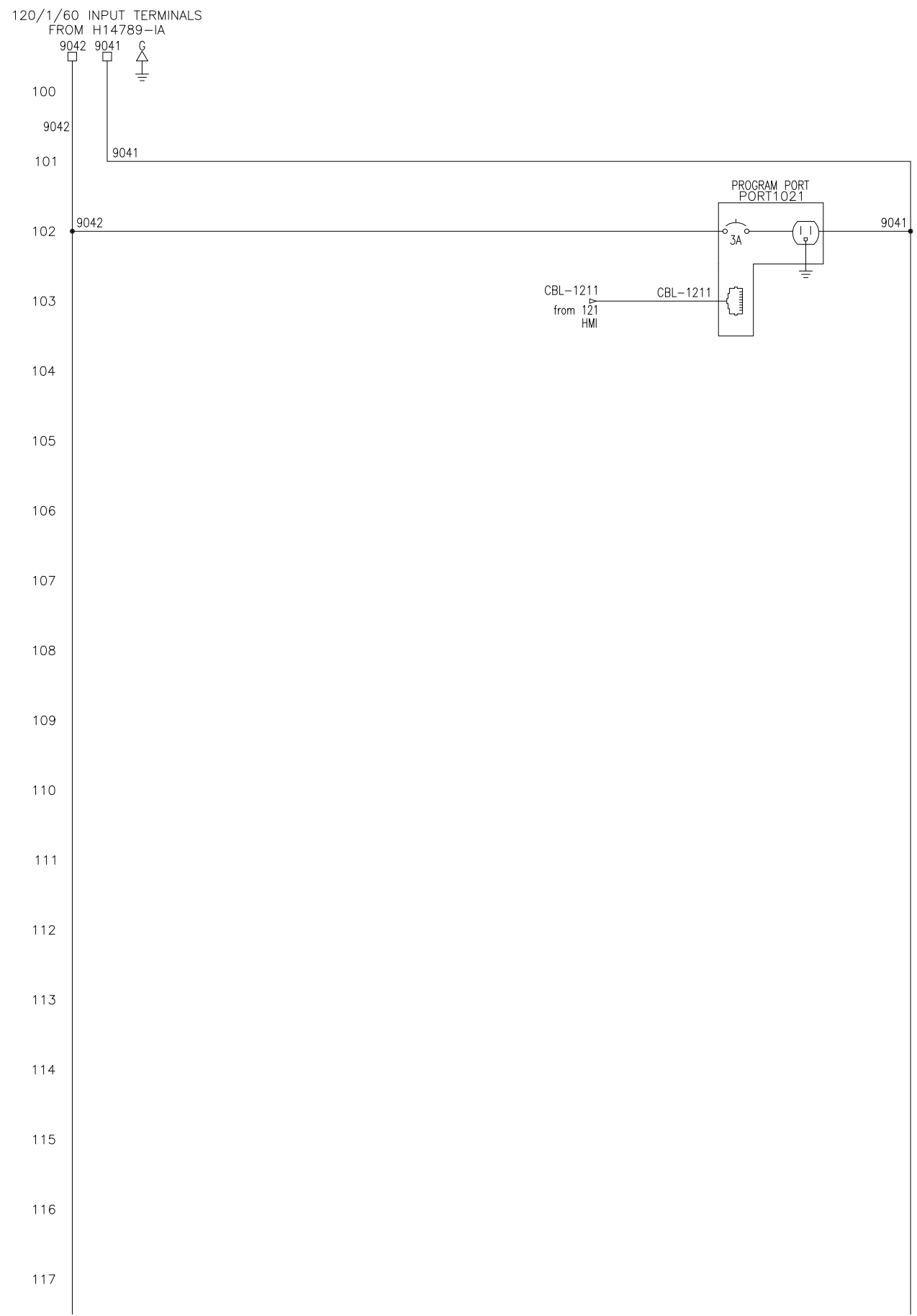
RELAY #2



SS BADGER  
STATION 16 - AFT PORT INDUCED DRAFT  
WIRING DETAILS



REV	DESCRIPTION	DATE	BY
A	CHANGED SUFFIX FROM HB TO IB	1/6/14	CR



CONTAINS CONFIDENTIAL BUSINESS INFORMATION

[REDACTED]			
DATE	12/12/14	JOB NO.	H14789-IB
SCALE	N/A	DRAWN	CR
		BOM	1
		DWG	1
TITLE			
120VAC/24VDC WIRING DIAGRAM HMI OP-STATION			
CUST. LAKE MICHIGAN TRANS-LAKE SHORTCUT, INC.			
SHEET	1 OF 3	DWG. NO.	H14789IB-D00
			REV. A



REV	DESCRIPTION	DATE	BY
A	CHANGED SUFFIX FROM HB TO IB	1/6/14	CR

ITEM	QTY	PART #	MANUFACTURE	DESCRIPTION	DESCRIPTOR
1	1	CSD20168	HOFFMAN	20"x16"x8" NEMA 4/12 ENCLOSURE	.
2	1	CP2016G	HOFFMAN	GALVANIZED SUB PANEL	.
3	1	CMFK	HOFFMAN	FOOT KIT	.
4	1	DPI-RJ11-R16	MENCOM	PROG. PORT, SIMPLEX OUTLET, RJ12-F/F, 3A CB	PORT1021
5	1	FAZ-C2/1-NA-SP	EATON	1 POLE 2A UL489 CIRCUIT BREAKER, C-CURVE	CB1201
6	1	V1040-T20B	UNITRONICS	V1040 O/PLC 10.4" COLOR TOUCH SCREEN	HMI1201
7	1	2GB MICROSD	TRANSCEND	2GB MICROSD CARD	HMI1201
8	1	SL4-PIB-EMH	EATON	STACK LIGHT BASE	LT15061-15081
9	1	SL4-L24-R	EATON	24VDC RED LED STACK LIGHT MODULE	LT15061
10	1	SL4-L24-Y	EATON	24VDC YELLOW LED STACK LIGHT MODULE	LT15071
11	1	SL4-L24-G	EATON	24VDC GREEN LED STACK LIGHT MODULE	LT15081
12	12	XBPT25D22	EATON	5.2mm 4-WIRE SPRING CAGE TERMINAL	.
13	3	XBPT25D22PE	EATON	5.2mm 4-WIRE SPRING CAGE GROUND TERMINAL	.
14	1	XBACPT25D22	EATON	END PLATE FOR 5.2mm 4-WIRE SPRING CAGE TERMINAL	.
15	2	XBAES35C	EATON	SCREW ON END STOP	.
16	3'	F.75X1.5LG6	PANDUIT	0.75"x1.5" LIGHT GRAY WIREWAY	.
17	3'	C.75LG6	PANDUIT	0.75" LIGHT GRAY WIREWAY COVER	.
18	1.5'	0801733	PHOENIX	35mm DIN RAIL	.
19					
20					
21					
22					
23					
24					
25					
26					
27					
28					
29					
30					
31					
32					
33					
34					
35					
36					
37					
38					
39					
40					
41					
42					
43					
44					
45					
46					
47					
48					
49					
50					
51					
52					
53					
54					
55					
56					

ITEM	QTY	PART #	MANUFACTURE	DESCRIPTION	DESCRIPTOR
57					
58					
59					
60					
61					
62					
63					
64					
65					
66					
67					
68					
69					
70					
71					
72					
73					
74					
75					
76					
77					
78					
79					
80					
81					
82					
83					
84					
85					
86					
87					
88					
89					
90					
91					
92					
93					
94					
95					
96					
97					
98					
99					
100					
101					
102					
103					
104					
105					

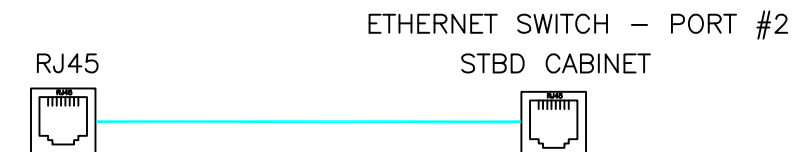
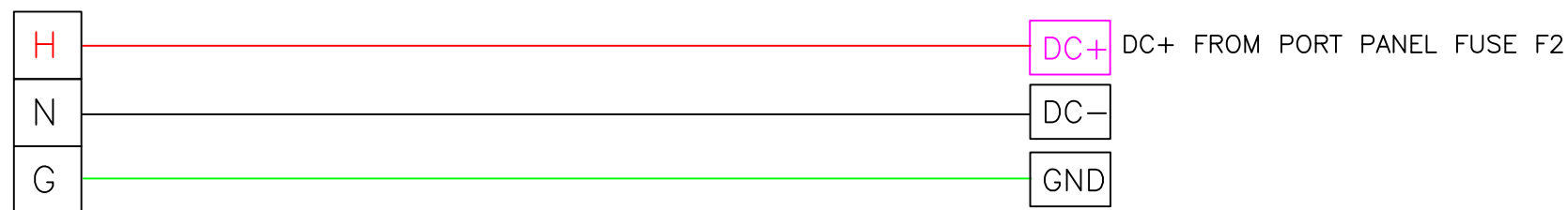
CONTAINS CONFIDENTIAL BUSINESS INFORMATION

DATE	12/12/14	JOB NO.	H14789-IB
SCALE	N/A	DRAWN	CR
		BOM = 1	DWG = 1
TITLE			
<b>BILL OF MATERIALS</b>			
HMI OP-STATION			
CUST. LAKE MICHIGAN TRANS-LAKE SHORTCUT, INC.			
SHEET	3 OF 3	DWG. NO.	H14789IB-D00
			REV. A

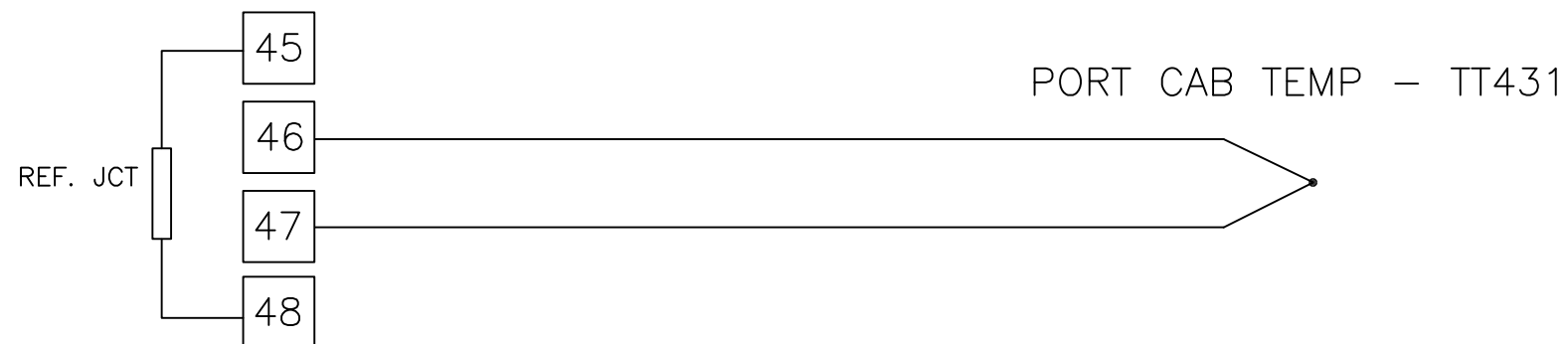


STA. POWER TERMINALS

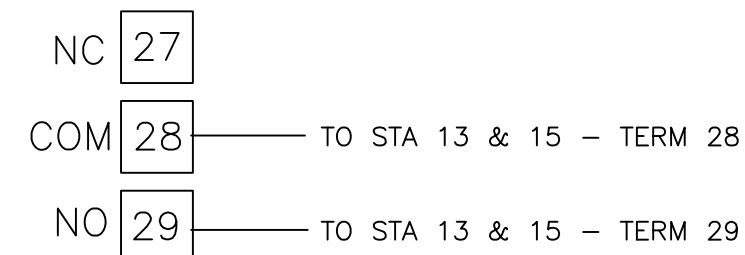
CABINET DC POWER DISTRIBUTION



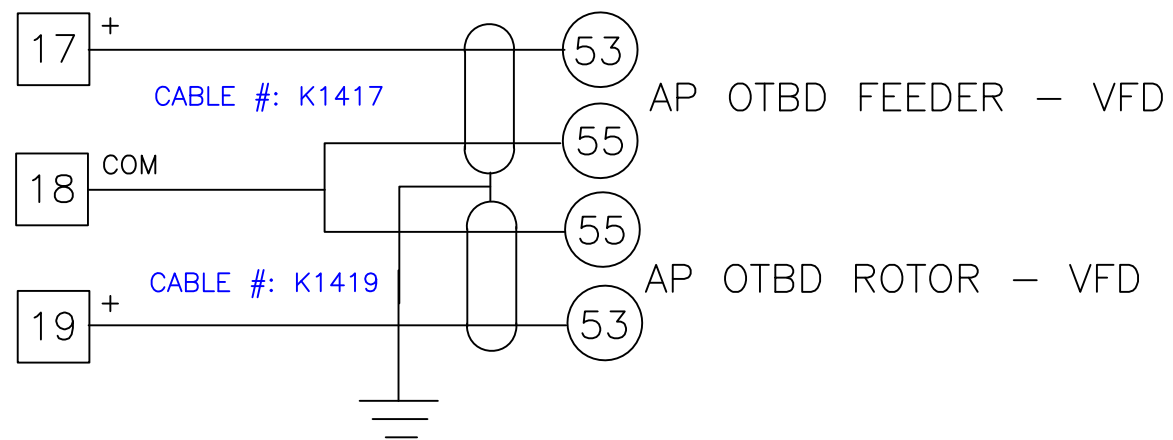
ANALOG INPUT UNIVERSAL #1



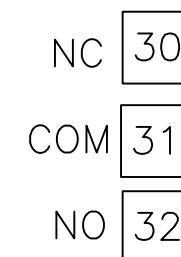
ALARM RELAY OUT



ANALOG OUTPUTS



RELAY #2



CABLE SHIELDS GROUNDED AT BOILER CABINET END ONLY

SS BADGER  
STATION 14 - AFT PORT OTBD FEEDER  
WIRING DETAILS

DRAWING NAME: STA14.DWG

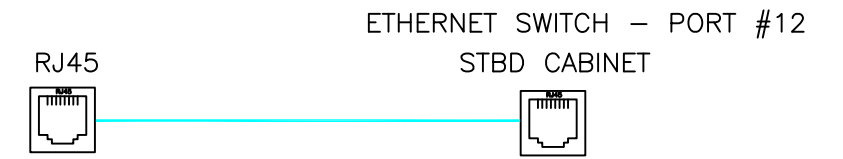
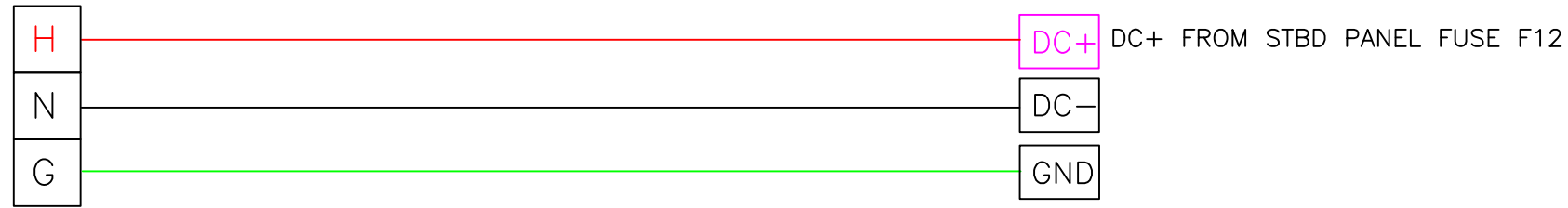
DRAWING NUMBER:

BY: JCHLLC DATE: 1/30/14

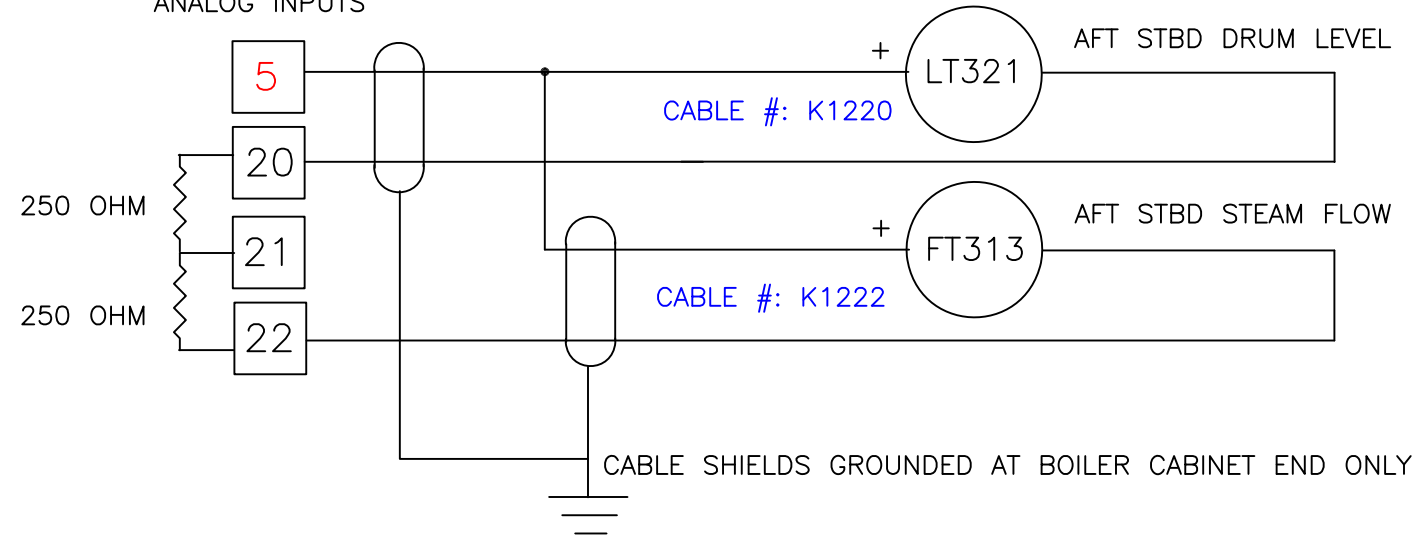
SHEET \_\_\_ OF \_\_\_

STA. POWER TERMINALS

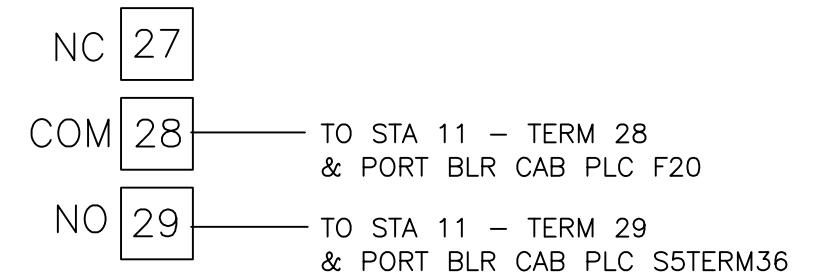
CABINET DC POWER DISTRIBUTION



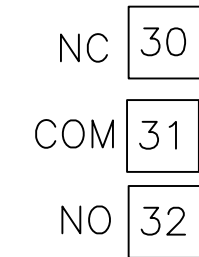
ANALOG INPUTS



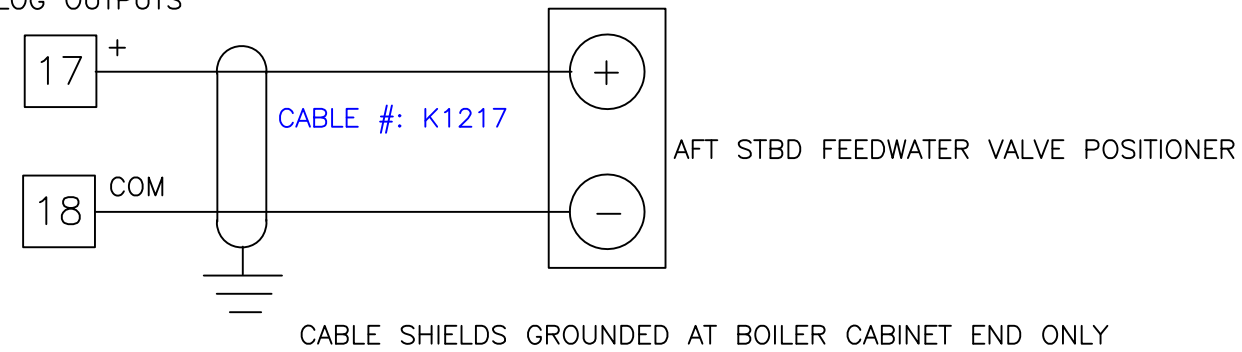
ALARM RELAY OUT



RELAY #2



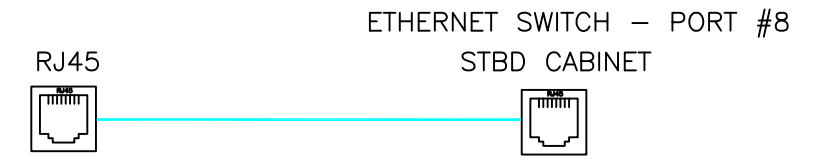
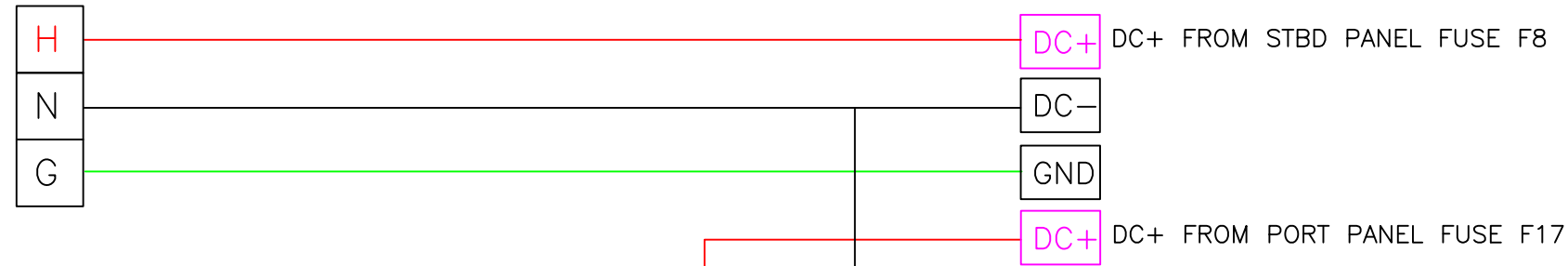
ANALOG OUTPUTS



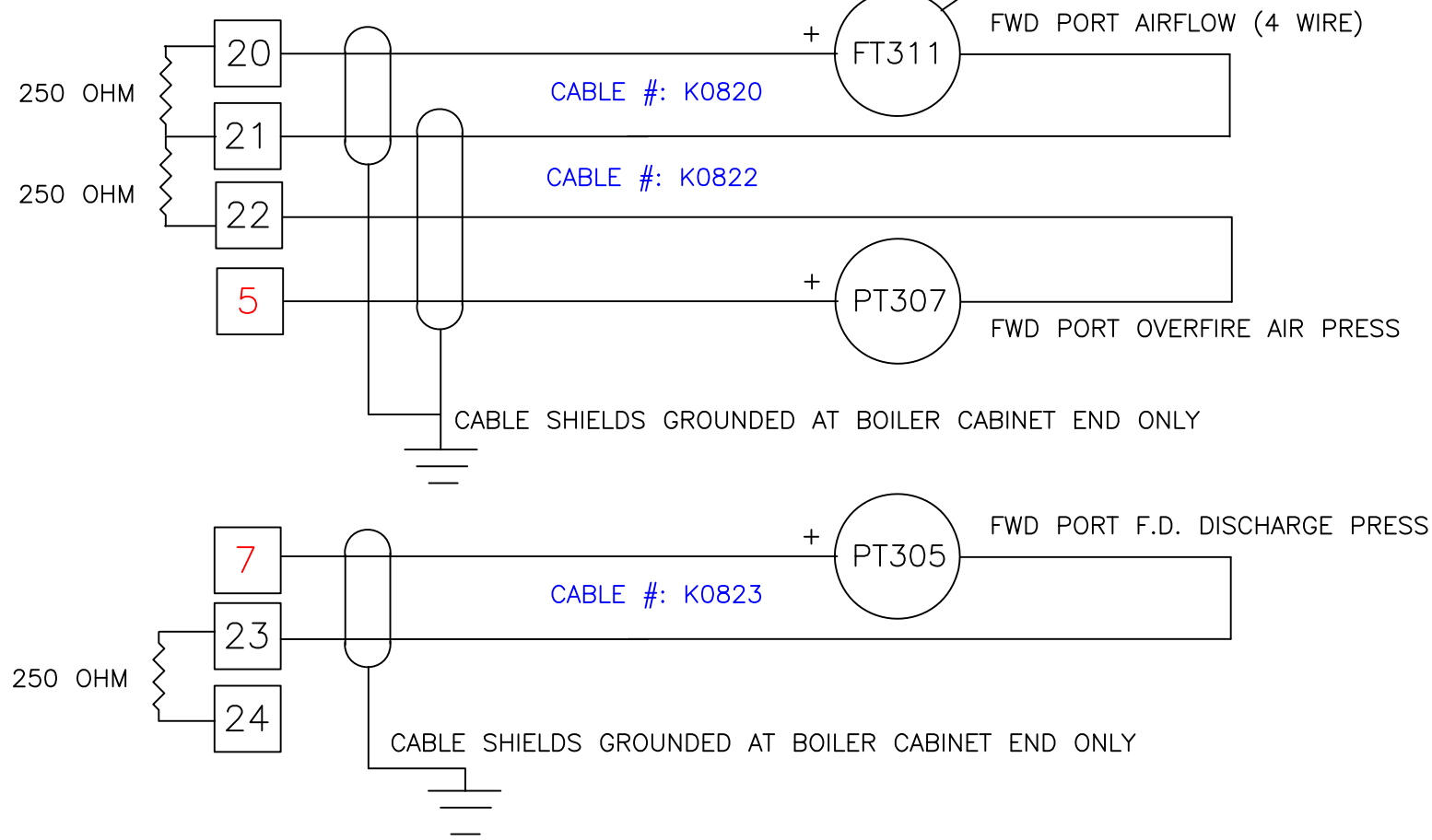
SS BADGER  
STATION 12 - AFT STBD DRUM LEVEL  
WIRING DETAILS

STA. POWER TERMINALS

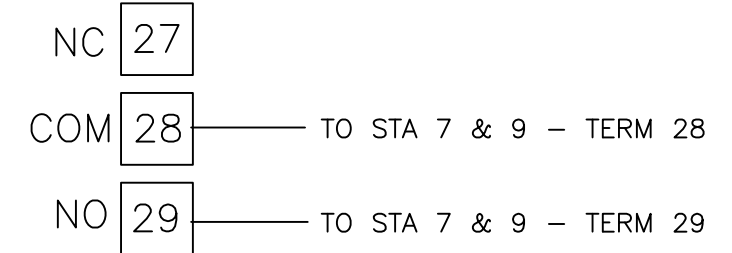
CABINET DC POWER DISTRIBUTION



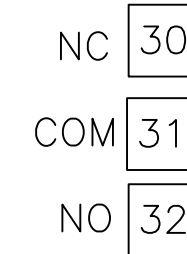
ANALOG INPUTS



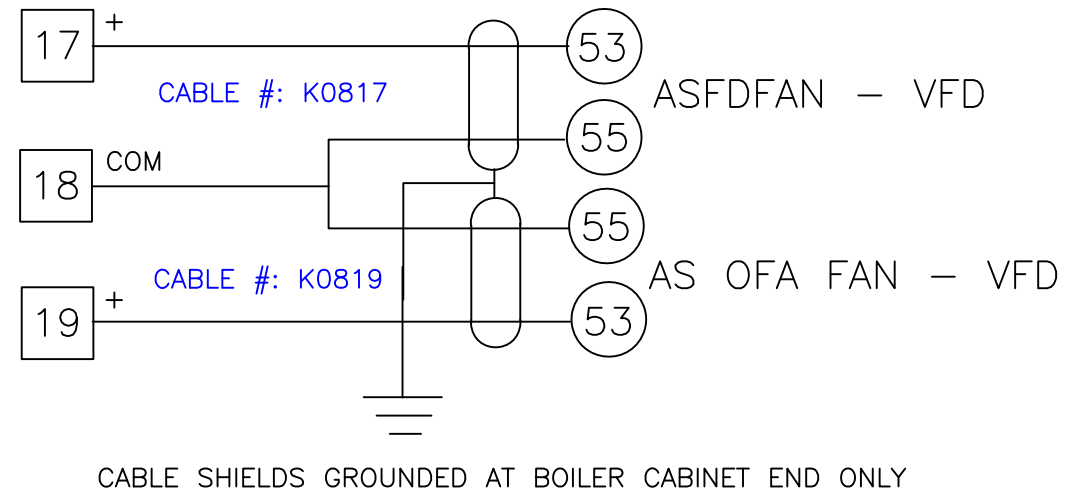
ALARM RELAY OUT



RELAY #2



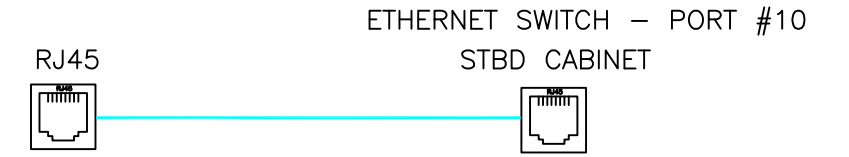
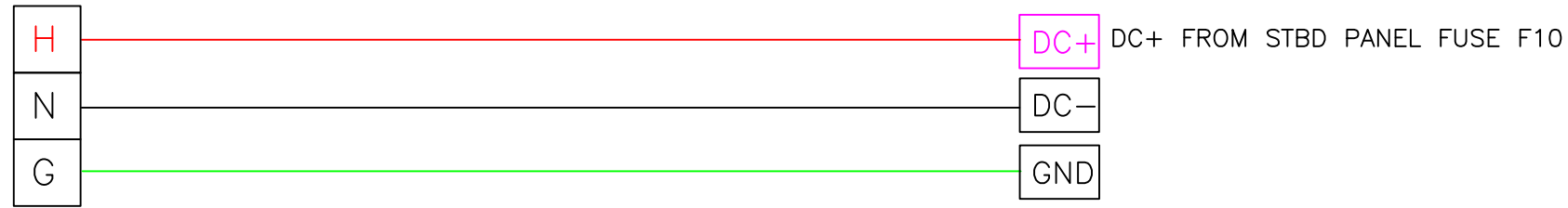
ANALOG OUTPUTS



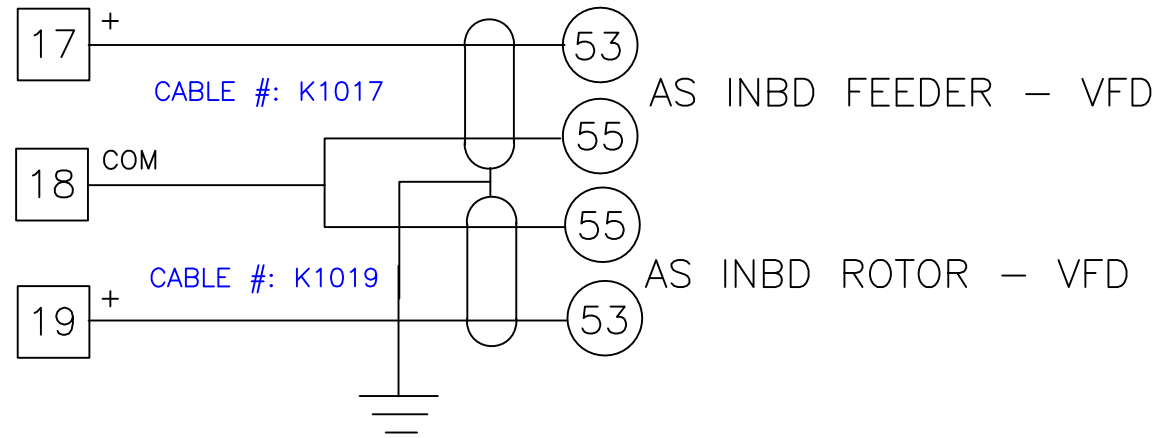
SS BADGER  
STATION 8 - FWD STBD FORCED DRAFT  
WIRING DETAILS

STA. POWER TERMINALS

CABINET DC POWER DISTRIBUTION

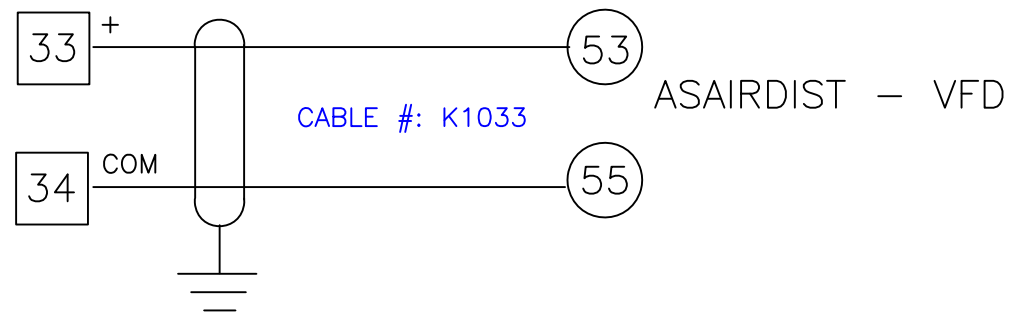


ANALOG OUTPUTS



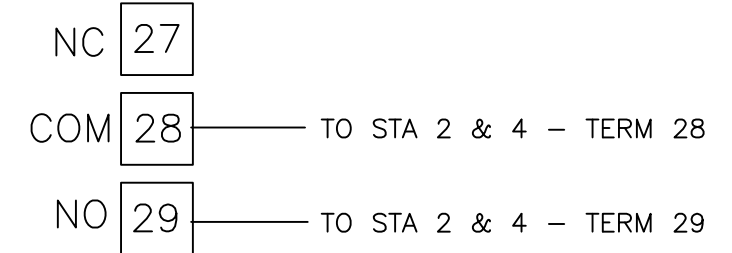
CABLE SHIELDS GROUNDED AT BOILER CABINET END ONLY

ANALOG OUTPUTS

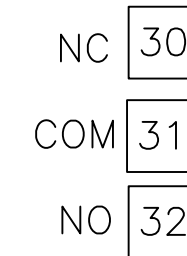


CABLE SHIELDS GROUNDED AT BOILER CABINET END ONLY

ALARM RELAY OUT



RELAY #2



SS BADGER  
STATION 10 - AFT STBD INBD FEEDER  
WIRING DETAILS

DRAWING NAME: STA10.DWG

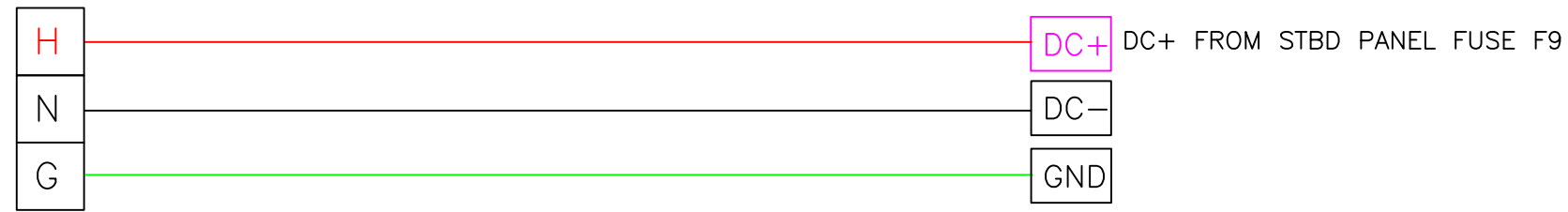
DRAWING NUMBER:

BY: JCHLLC DATE: 1/30/14

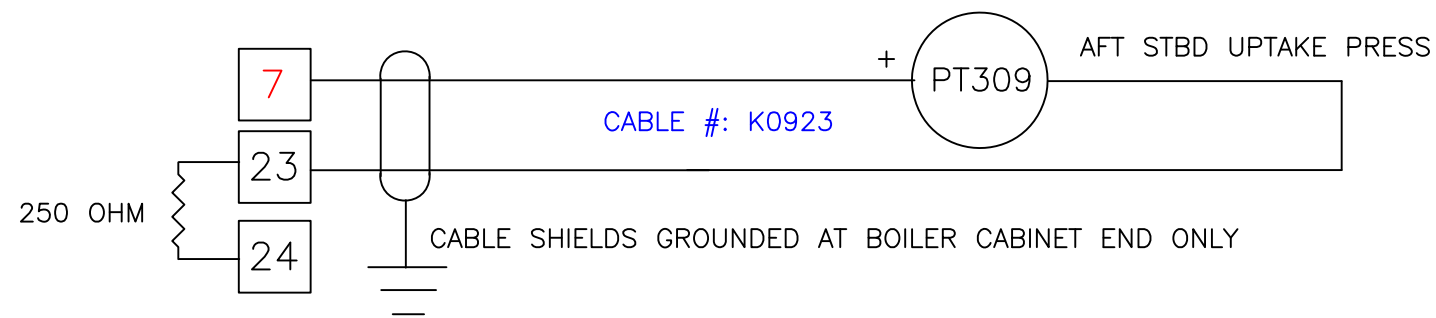
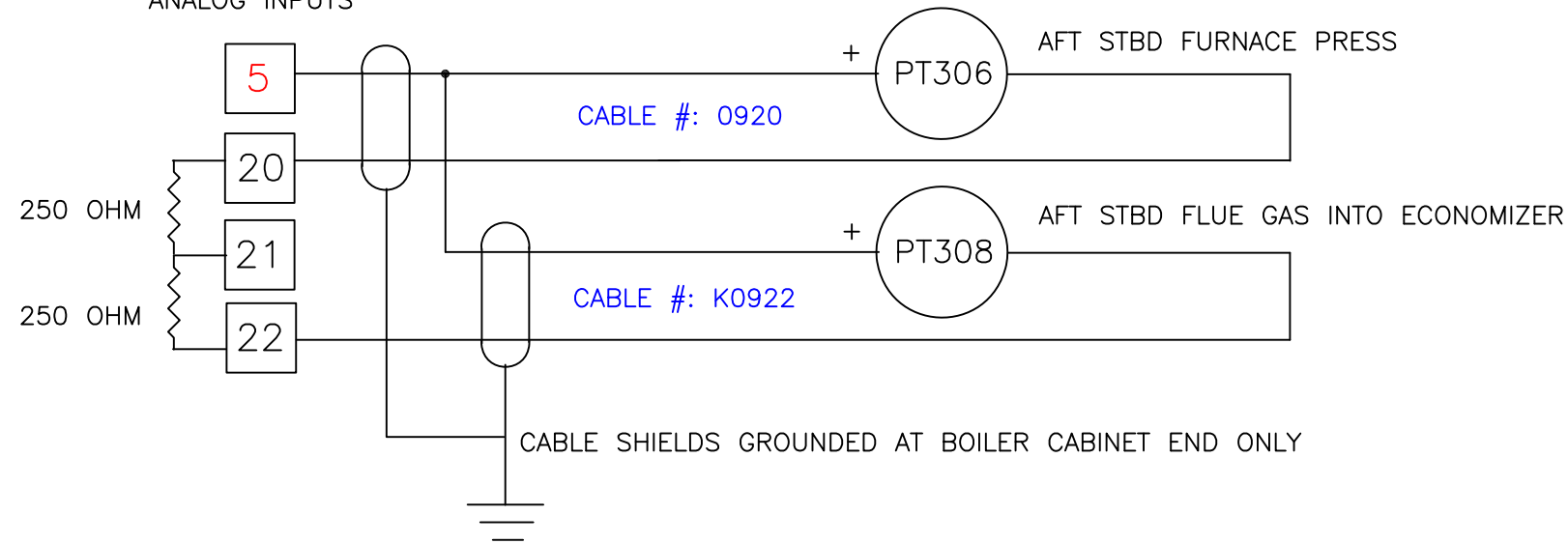
SHEET \_\_\_ OF \_\_\_

STA. POWER TERMINALS

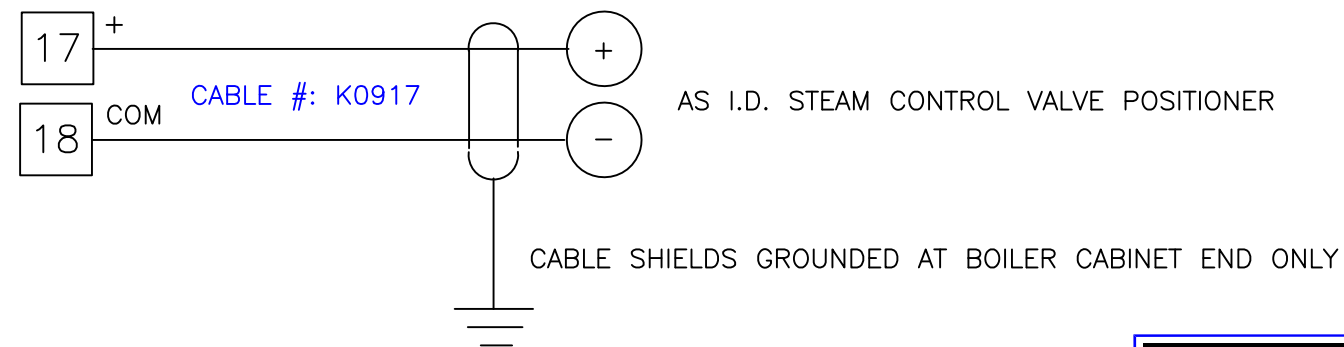
CABINET DC POWER DISTRIBUTION



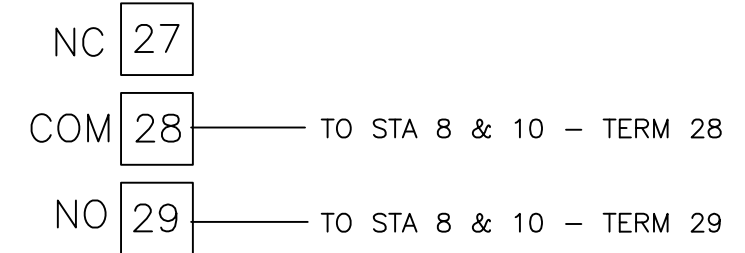
ANALOG INPUTS



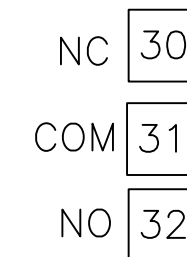
ANALOG OUTPUTS



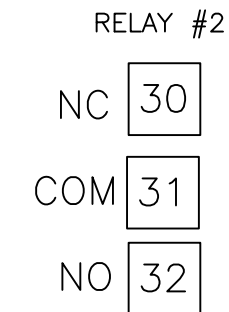
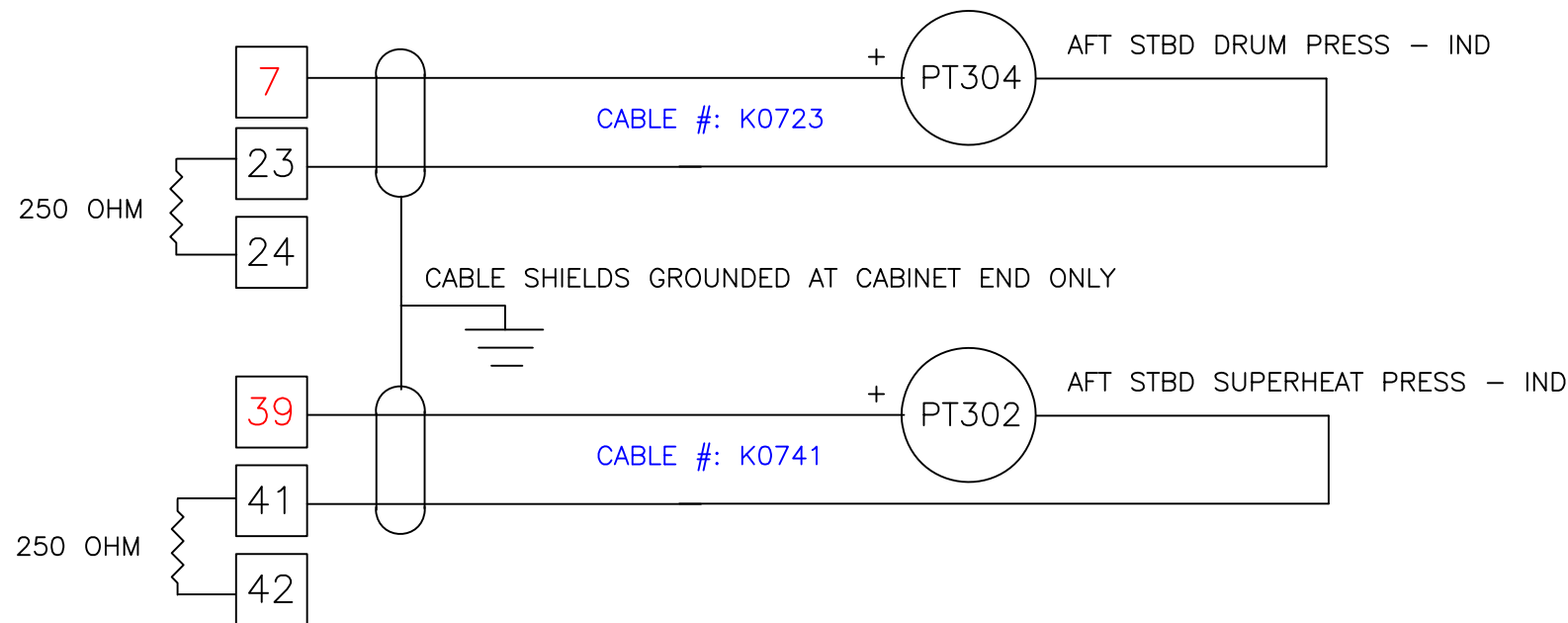
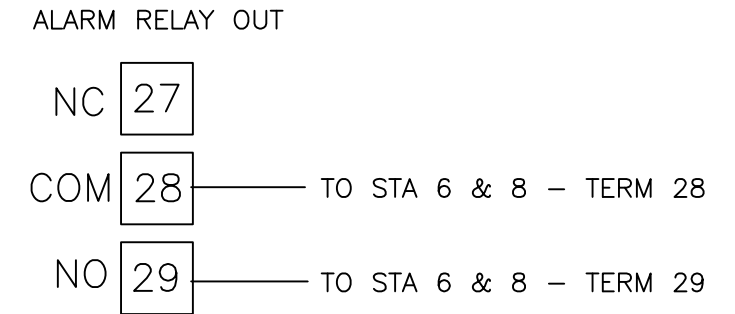
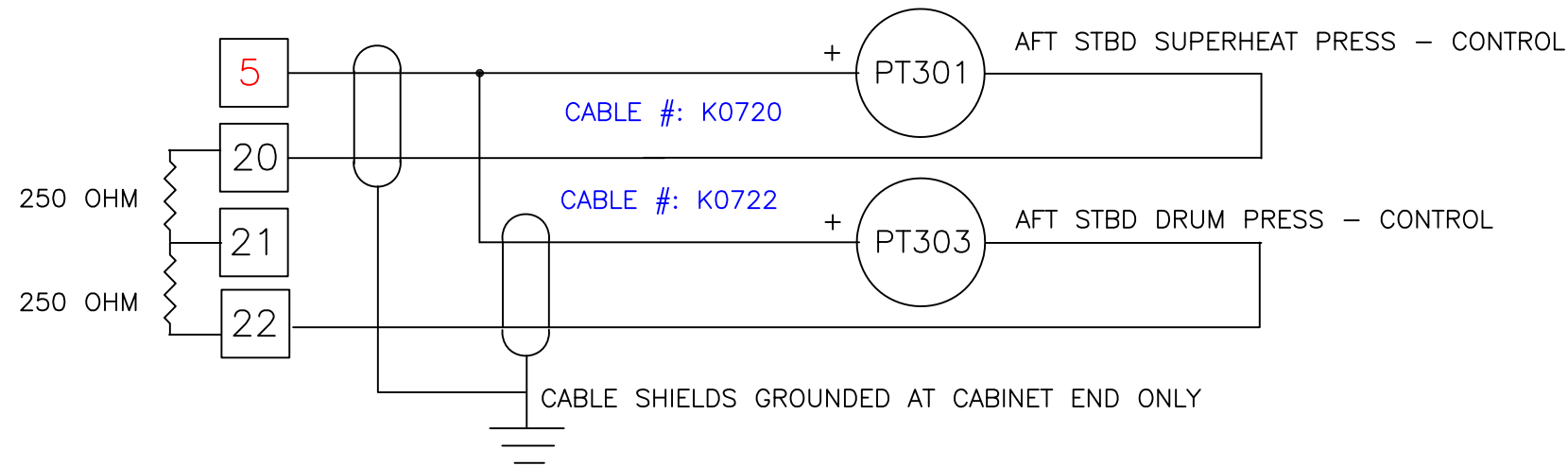
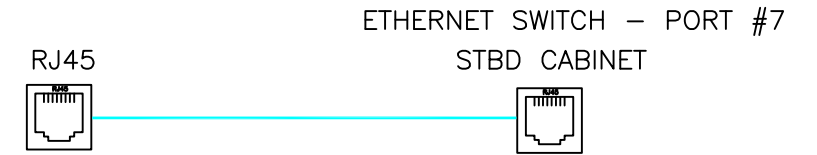
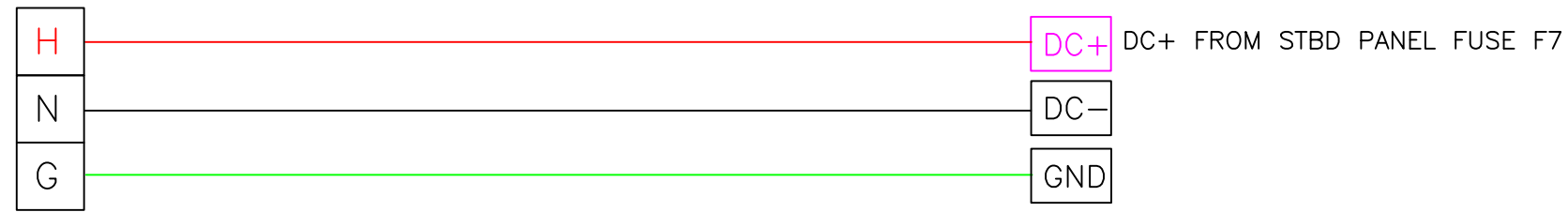
ALARM RELAY OUT



RELAY #2



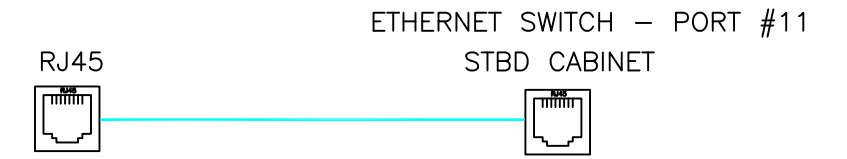
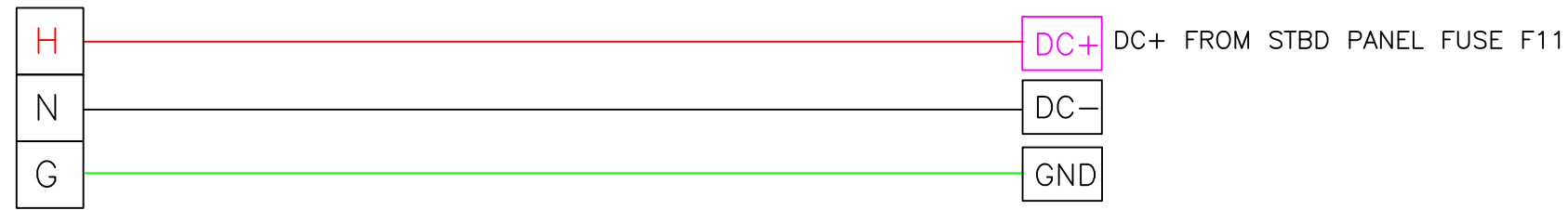
SS BADGER  
STATION 9 - AFT STBD INDUCED DRAFT  
WIRING DETAILS



SS BADGER  
STATION 7 - AFT STBD MASTER  
WIRING DETAILS

STA. POWER TERMINALS

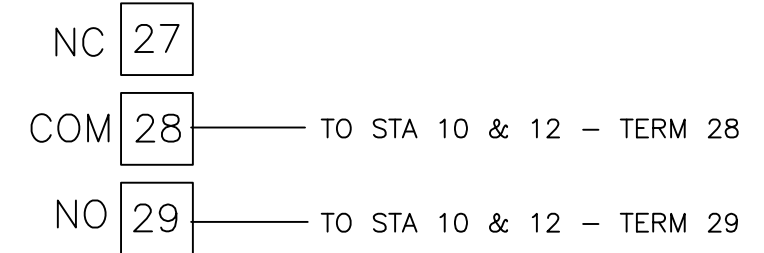
CABINET DC POWER DISTRIBUTION



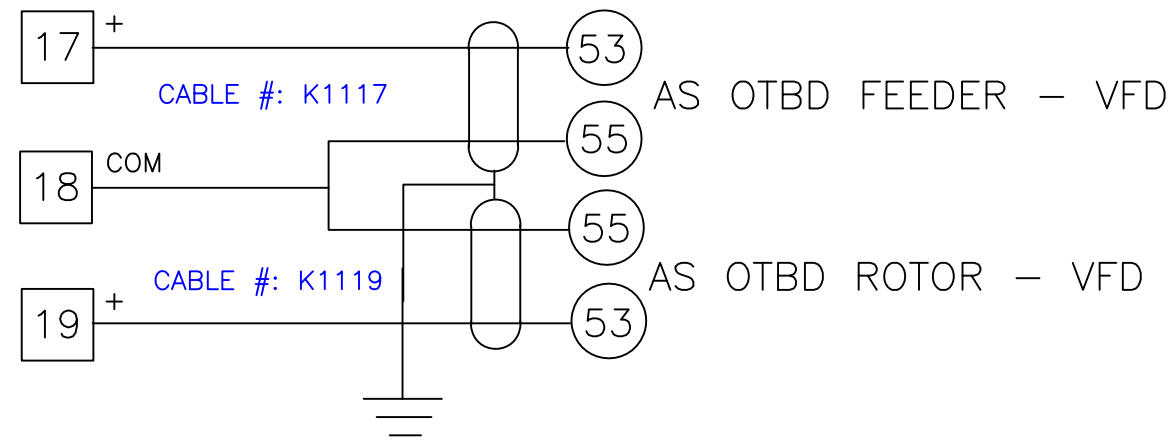
ANALOG INPUT UNIVERSAL #1



ALARM RELAY OUT

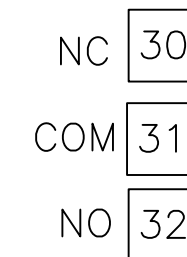


ANALOG OUTPUTS



CABLE SHIELDS GROUNDED AT BOILER CABINET END ONLY

RELAY #2



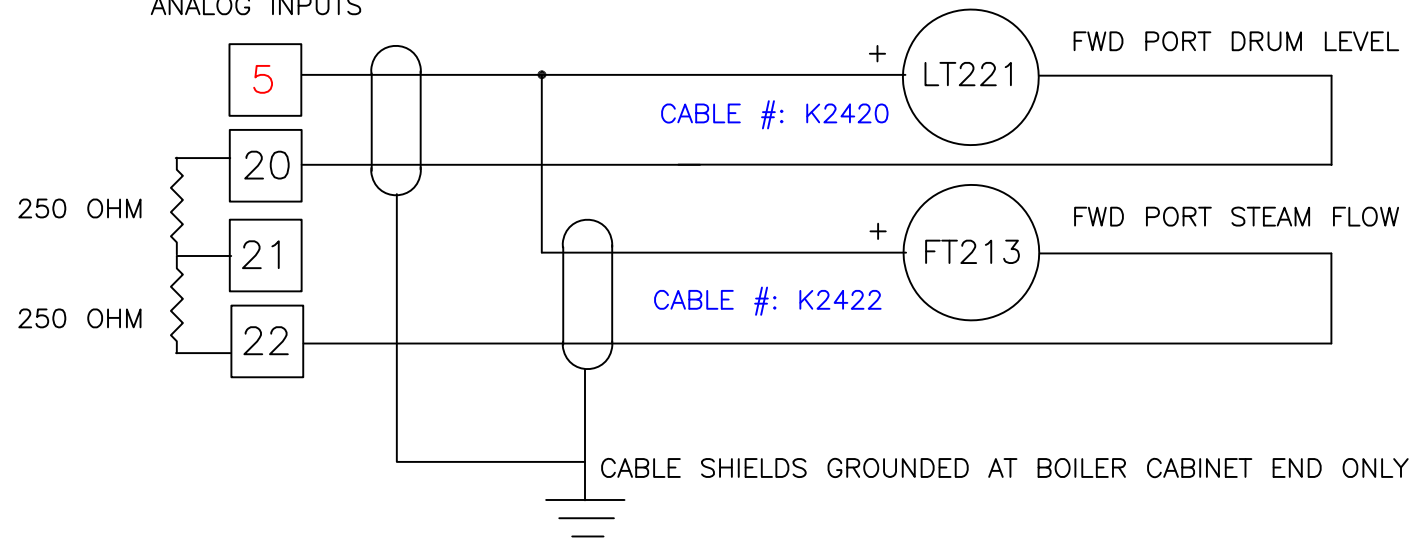
SS BADGER  
STATION 11 - AFT STBD OTBD FEEDER  
WIRING DETAILS

STA. POWER TERMINALS

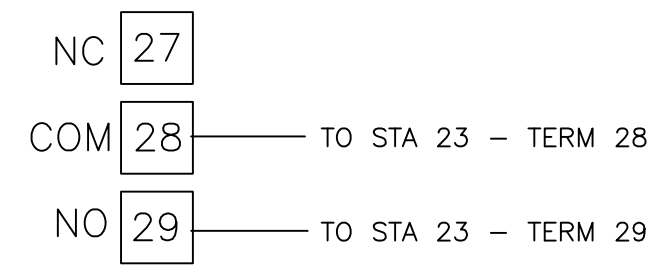
CABINET DC POWER DISTRIBUTION



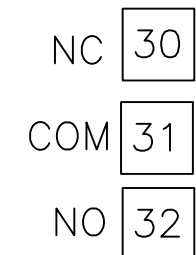
ANALOG INPUTS



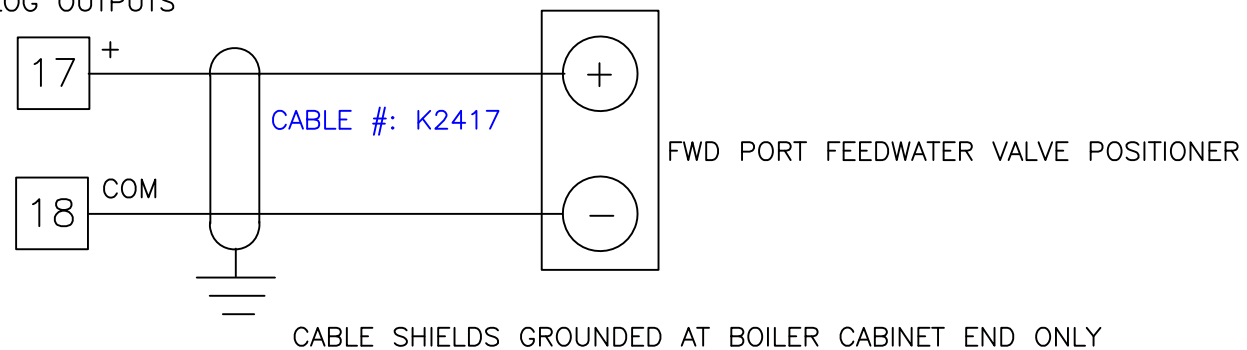
ALARM RELAY OUT



RELAY #2



ANALOG OUTPUTS

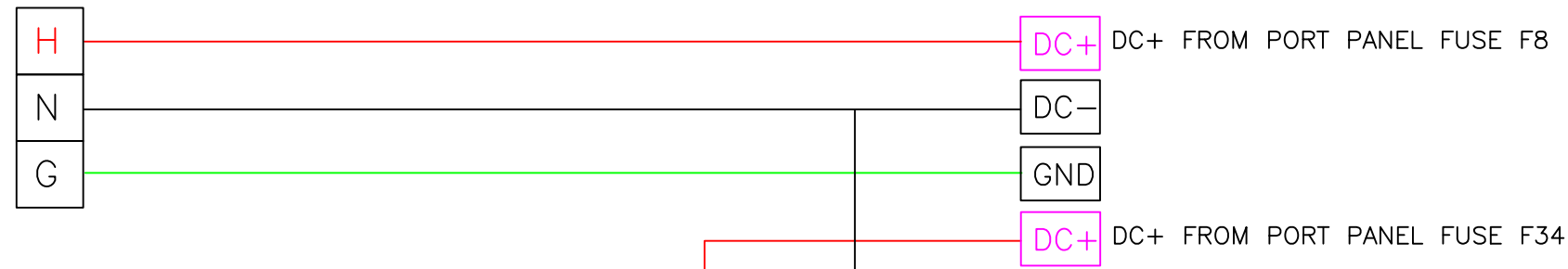


SS BADGER  
STATION 24 - FWD PORT DRUM LEVEL  
WIRING DETAILS

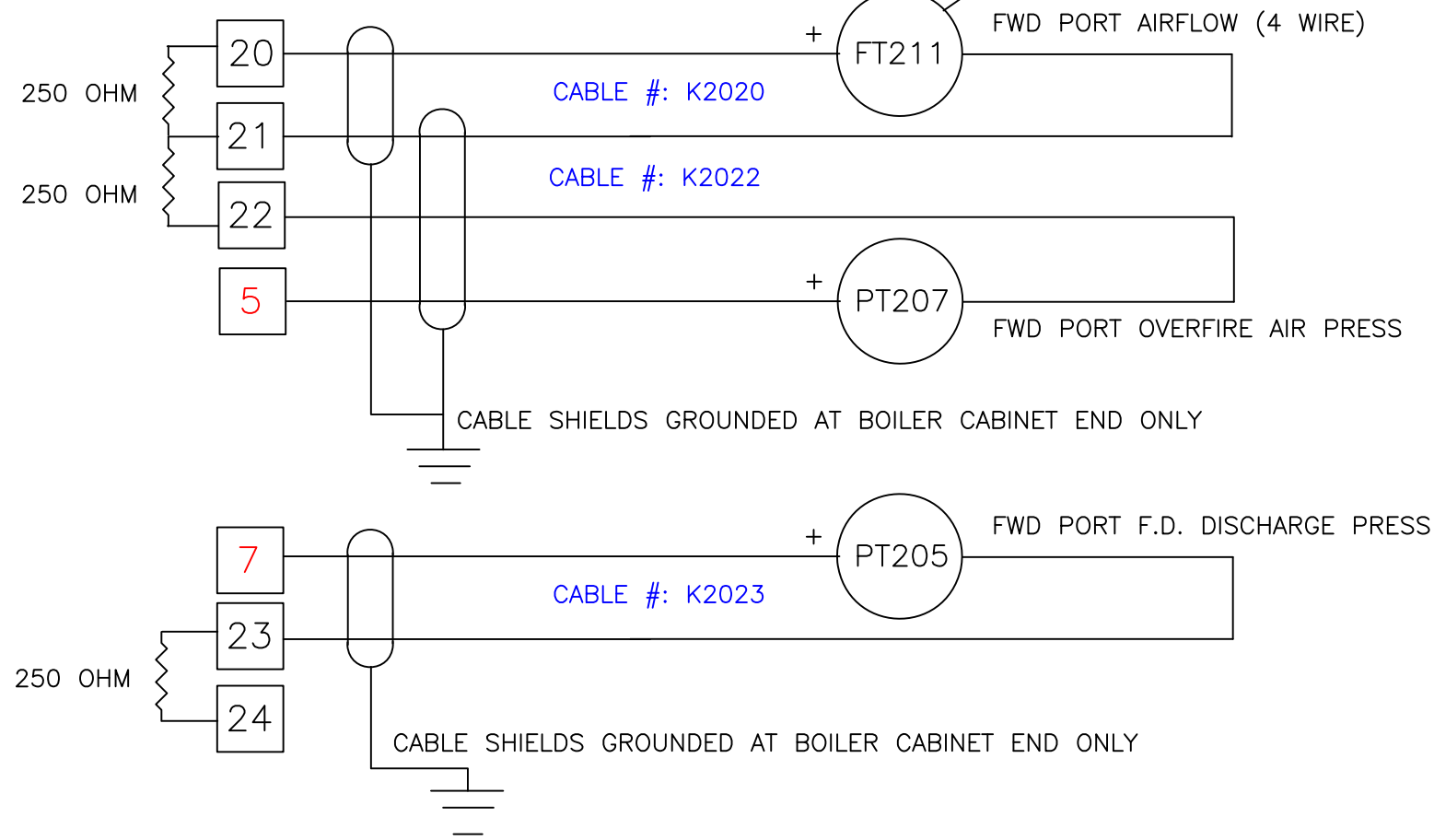


STA. POWER TERMINALS

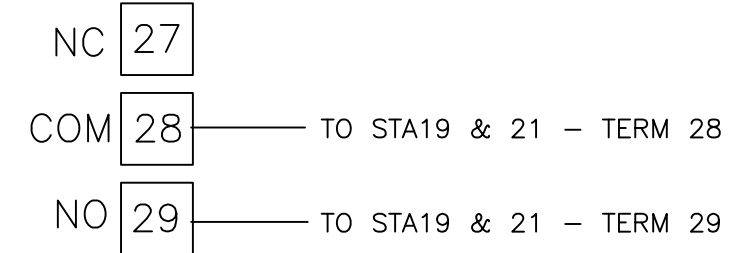
CABINET DC POWER DISTRIBUTION



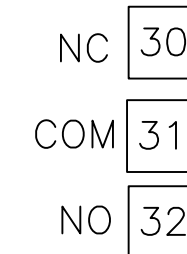
ANALOG INPUTS



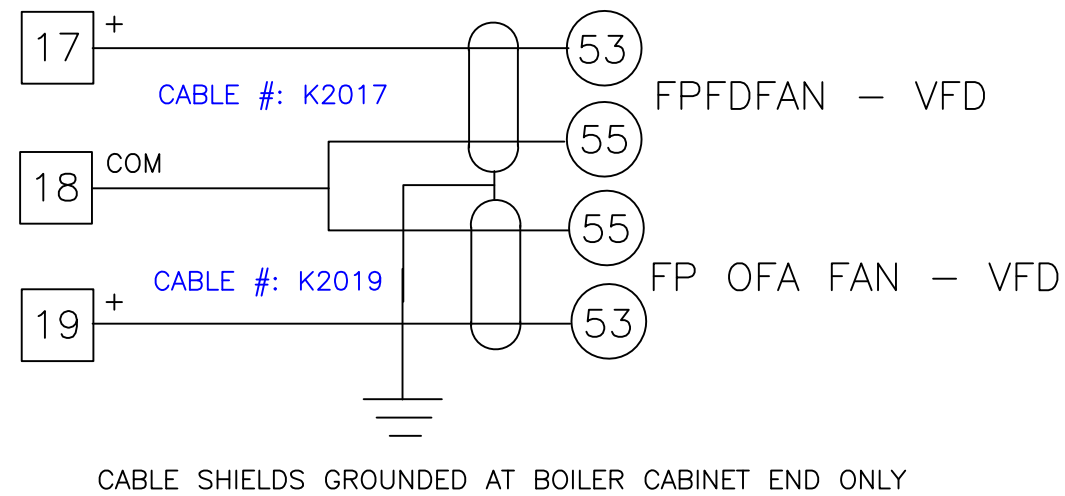
ALARM RELAY OUT



RELAY #2



ANALOG OUTPUTS



SS BADGER  
STATION 20 - FWD PORT FORCED DRAFT  
WIRING DETAILS

DRAWING NAME: STA20.DWG

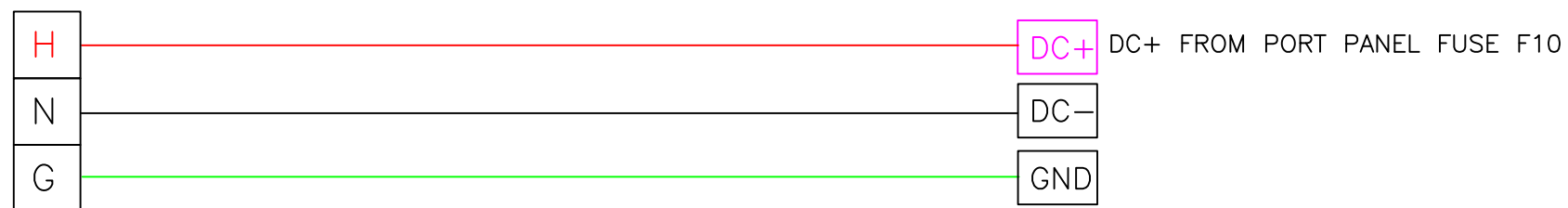
DRAWING NUMBER:

BY: JCHLLC DATE: 1/29/14

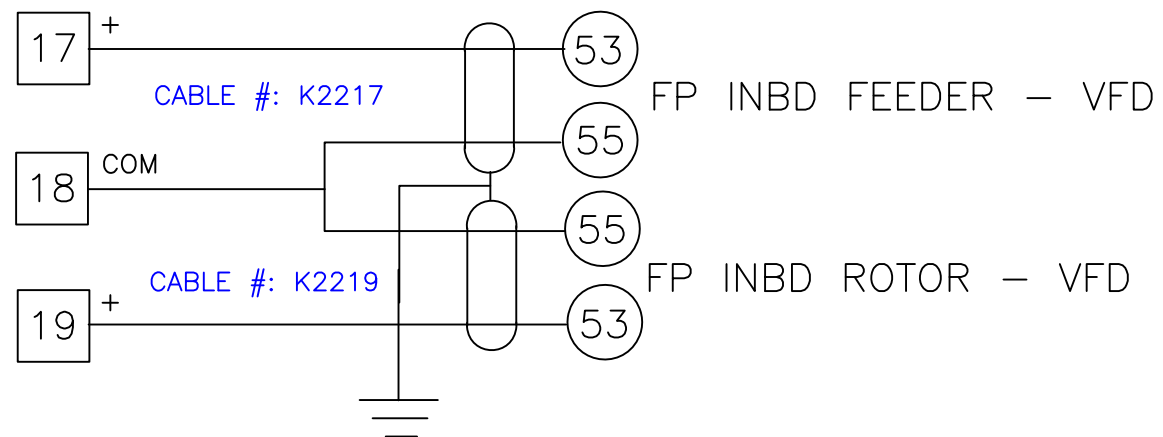
SHEET \_\_\_ OF \_\_\_

STA. POWER TERMINALS

CABINET DC POWER DISTRIBUTION

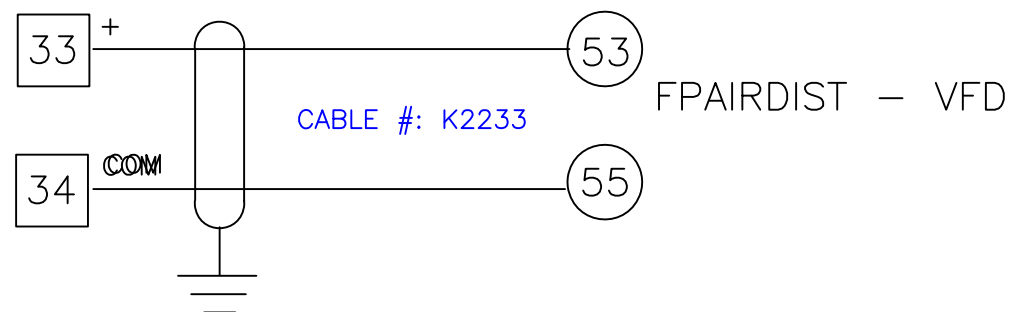


ANALOG OUTPUTS



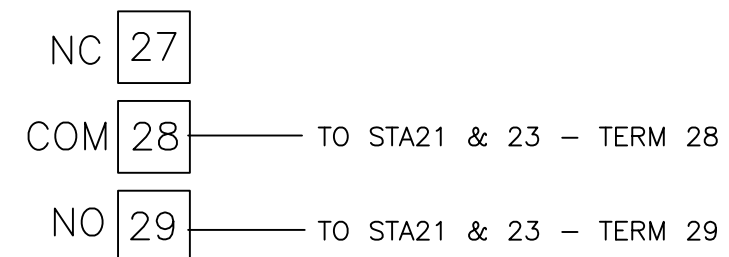
CABLE SHIELDS GROUNDED AT BOILER CABINET END ONLY

ANALOG OUTPUTS

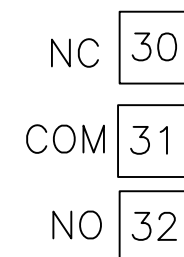


CABLE SHIELDS GROUNDED AT BOILER CABINET END ONLY

ALARM RELAY OUT



RELAY #2



SS BADGER  
STATION 22 - FWD PORT INBD FEEDER  
WIRING DETAILS

DRAWING NAME: STA22.DWG

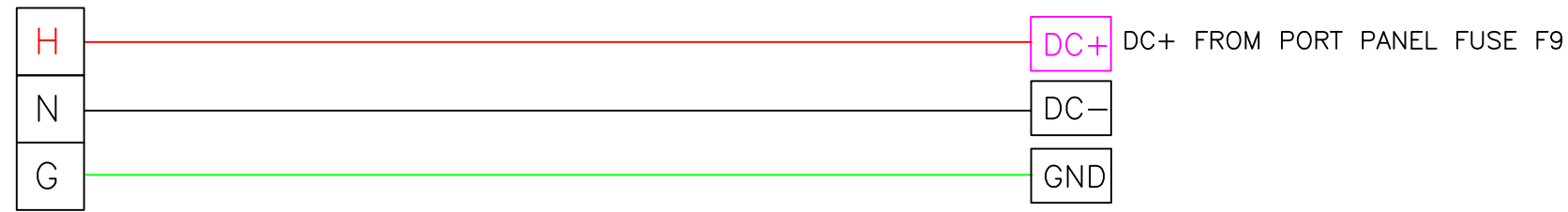
DRAWING NUMBER:

BY: JCHLLC DATE: 1/30/14

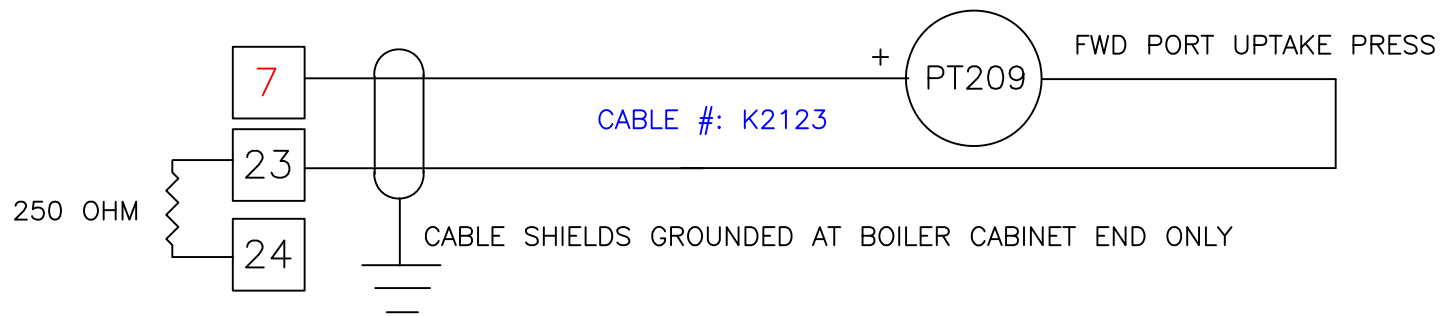
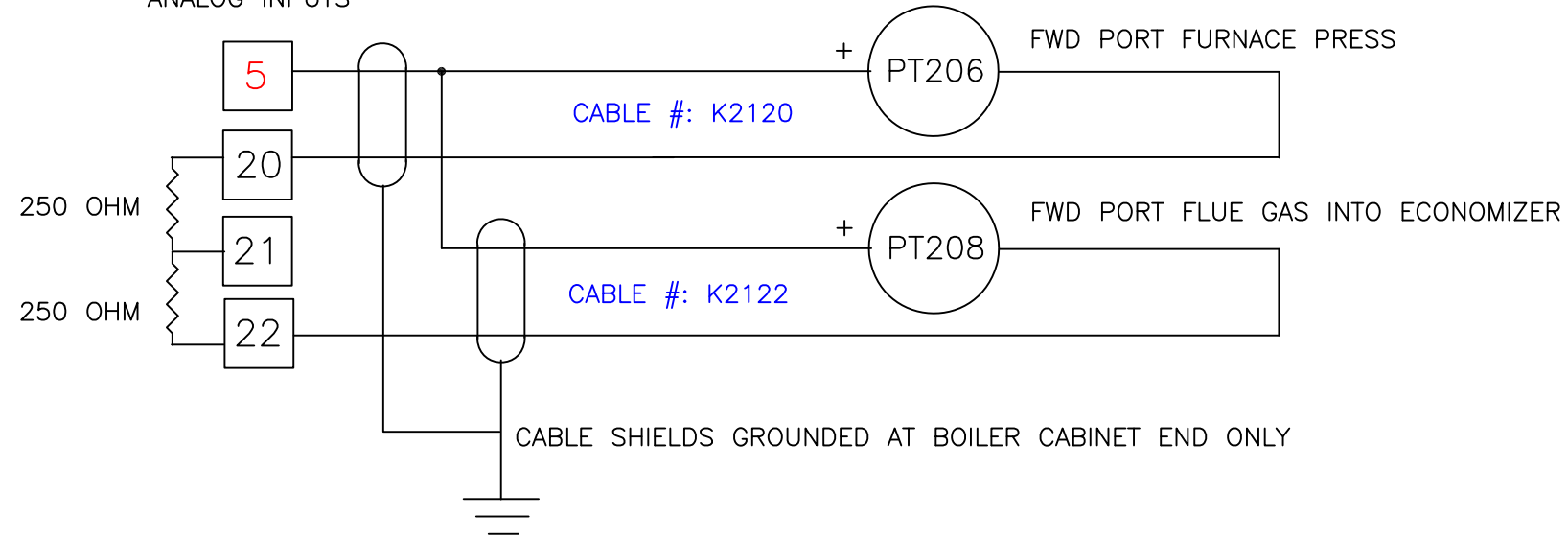
SHEET \_\_\_ OF \_\_\_

STA. POWER TERMINALS

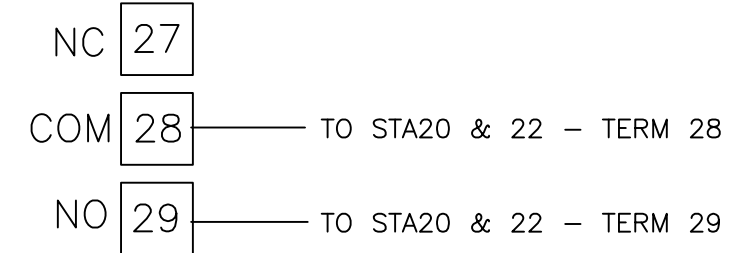
CABINET DC POWER DISTRIBUTION



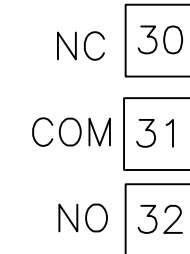
ANALOG INPUTS



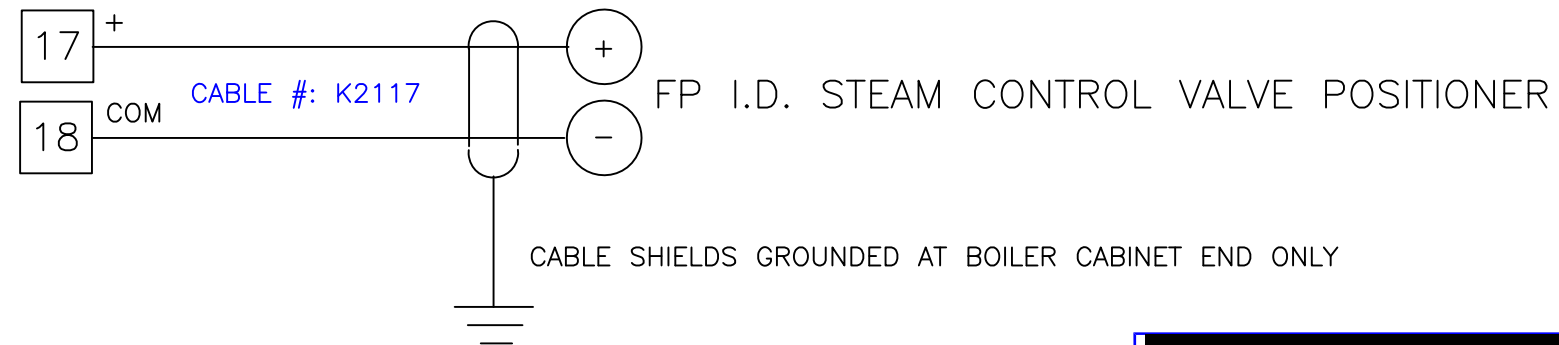
ALARM RELAY OUT



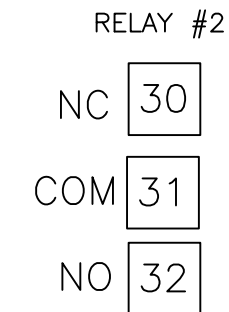
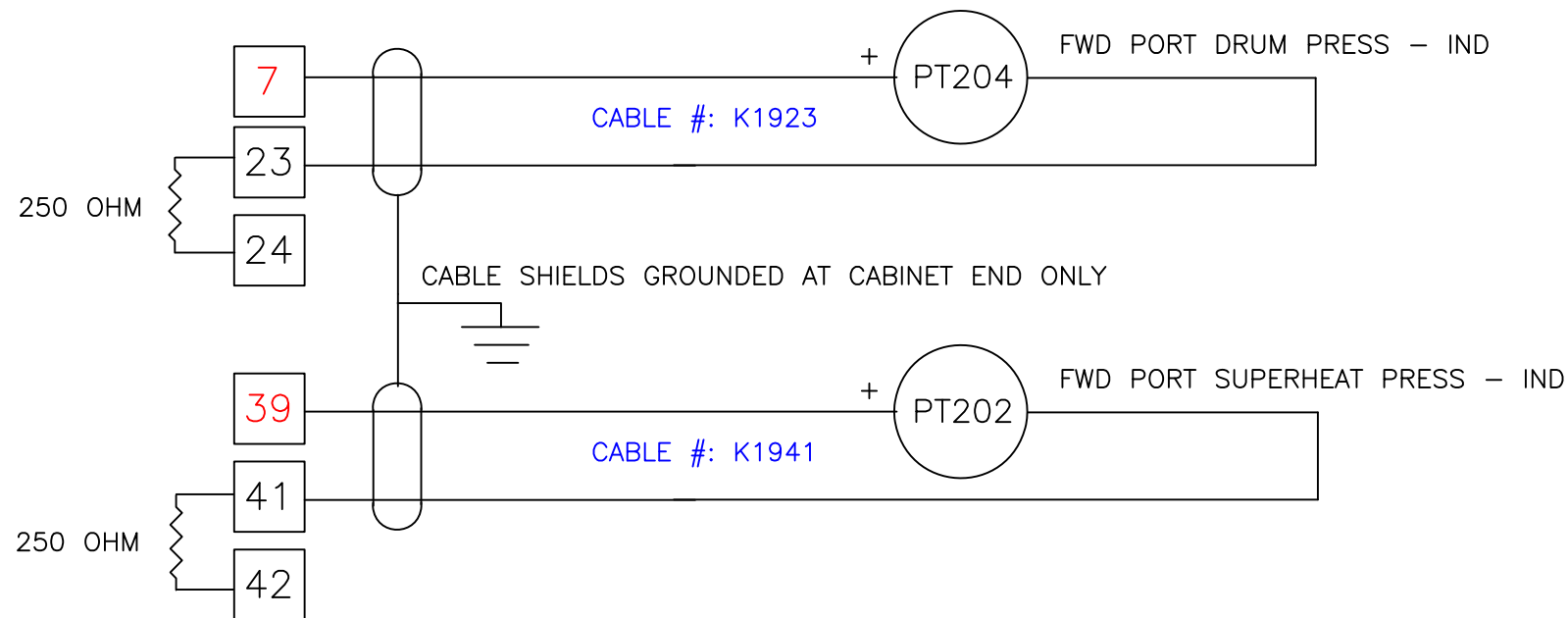
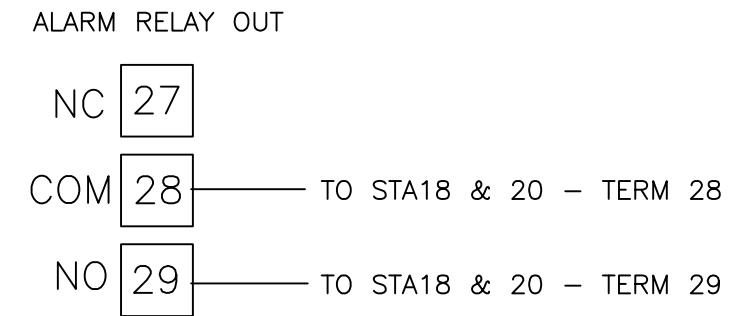
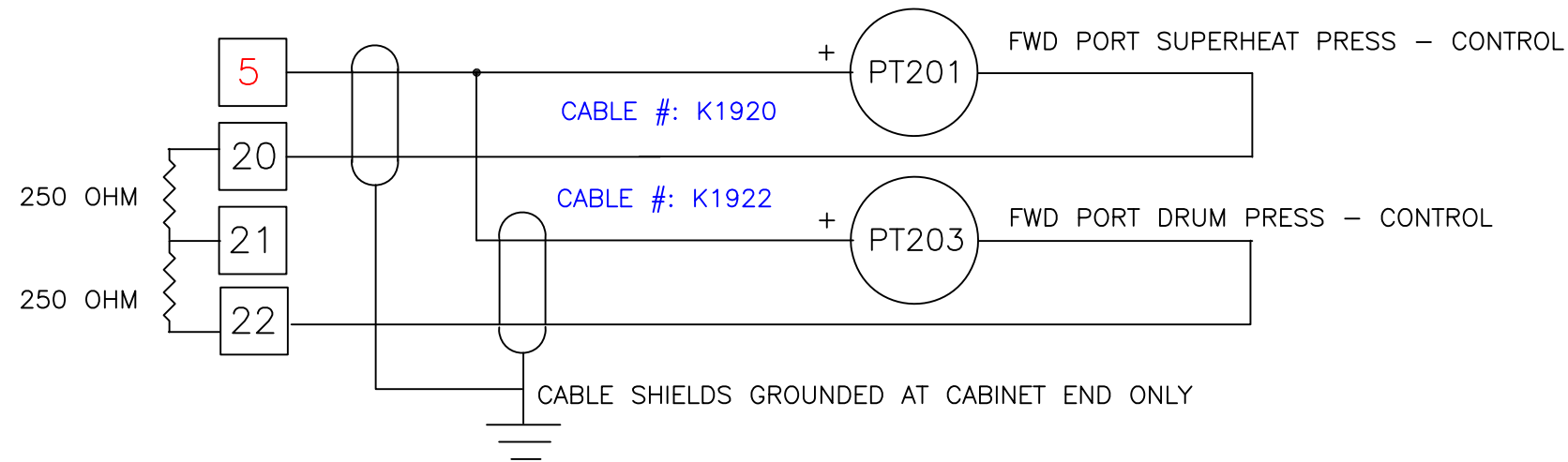
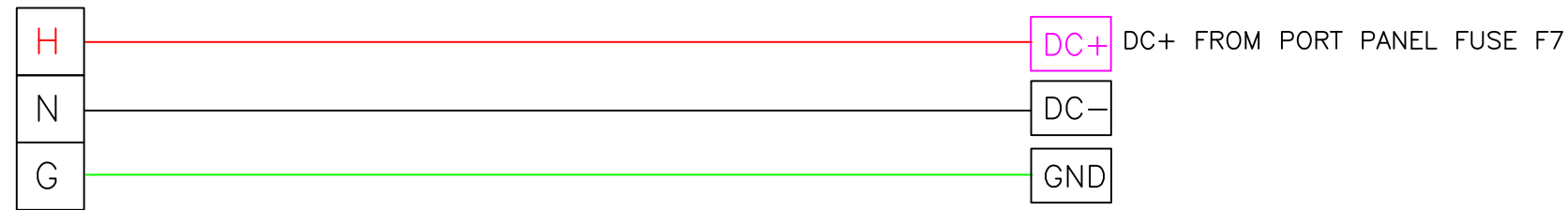
RELAY #2



ANALOG OUTPUTS



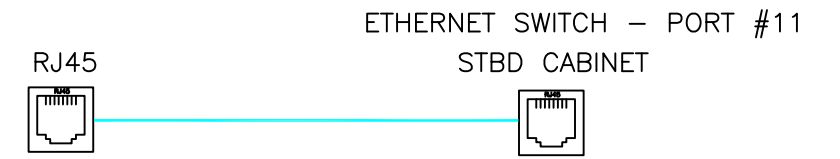
SS BADGER  
STATION 21 - FWD PORT INDUCED DRAFT  
WIRING DETAILS



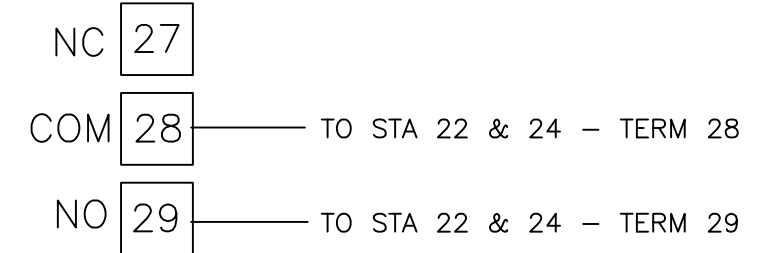
SS BADGER  
STATION 19 - FWD PORT MASTER  
WIRING DETAILS

STA. POWER TERMINALS

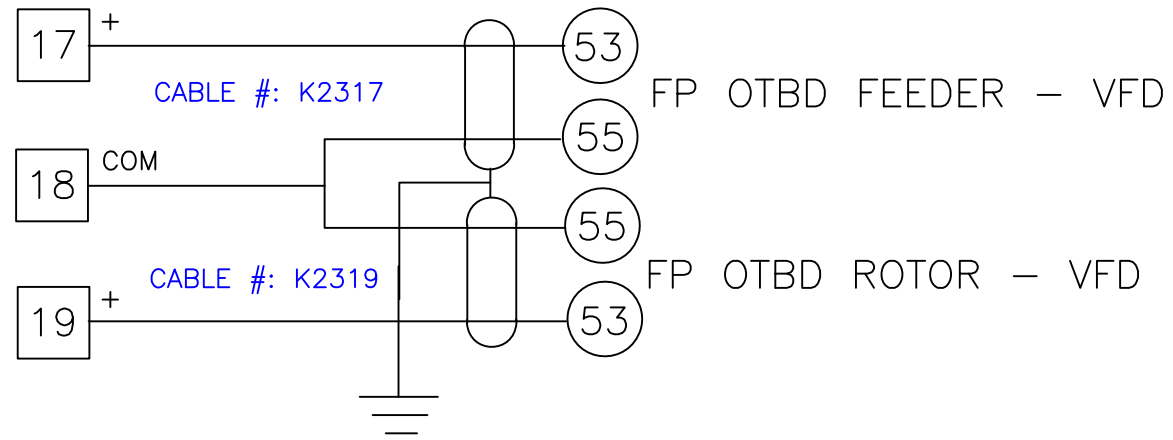
CABINET DC POWER DISTRIBUTION



ALARM RELAY OUT

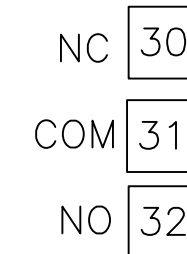


ANALOG OUTPUTS



CABLE SHIELDS GROUNDED AT BOILER CABINET END ONLY

RELAY #2



SS BADGER  
STATION 23 - FWD PORT OTBD FEEDER  
WIRING DETAILS

DRAWING NAME: STA23.DWG

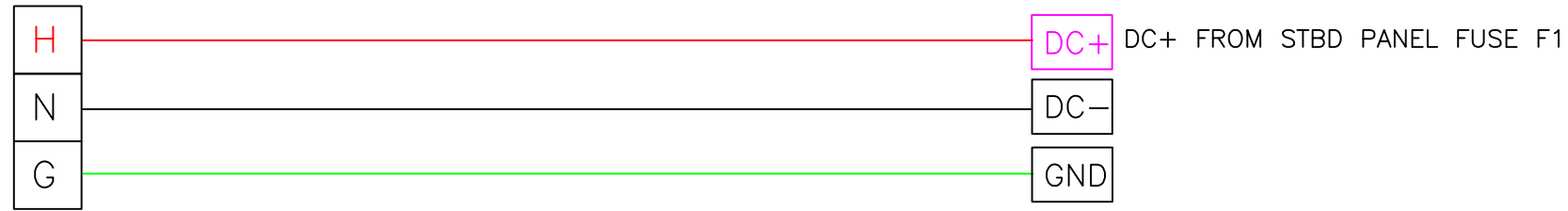
DRAWING NUMBER:

BY: JCHLLC DATE: 1/30/14

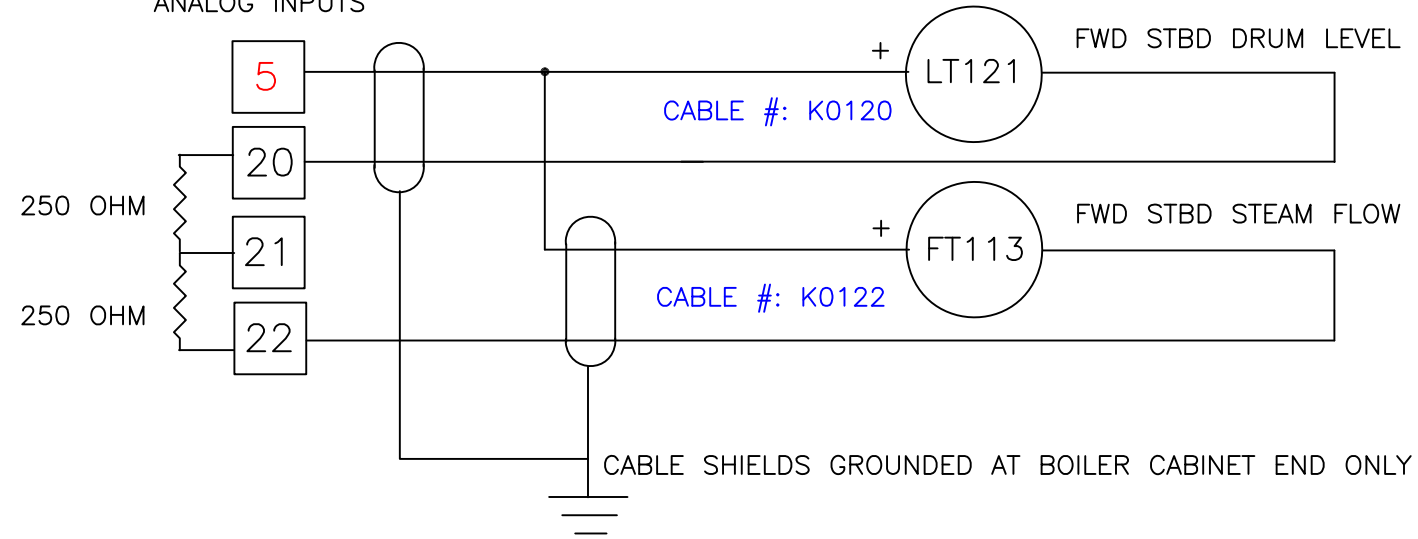
SHEET \_\_\_ OF \_\_\_

STA. POWER TERMINALS

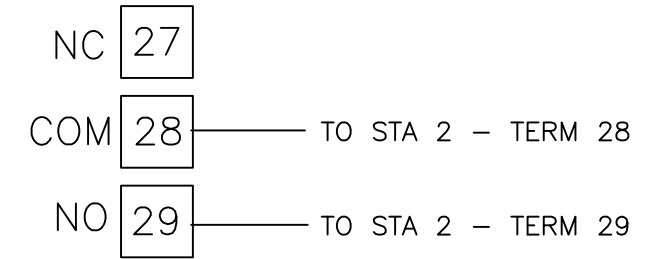
CABINET DC POWER DISTRIBUTION



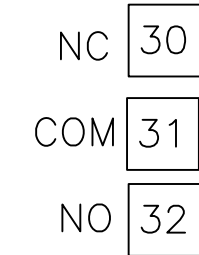
ANALOG INPUTS



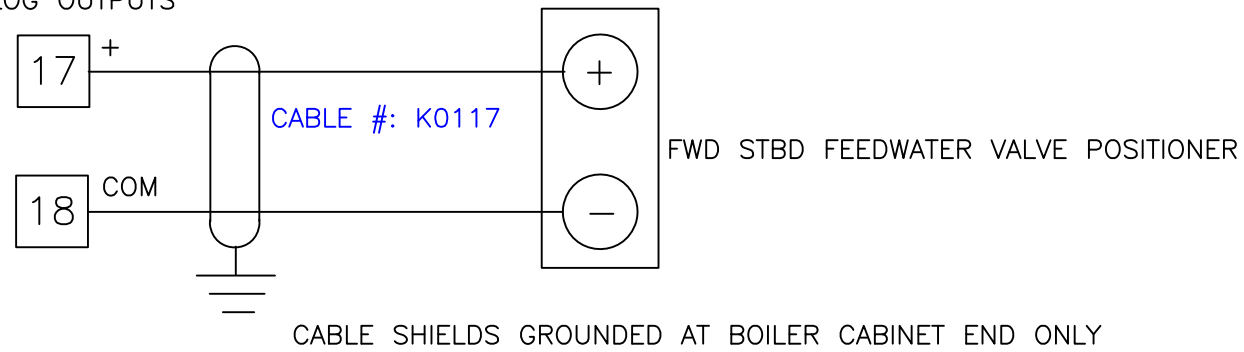
ALARM RELAY OUT



RELAY #2



ANALOG OUTPUTS



SS BADGER  
STATION 1 - FWD STBD DRUM LEVEL  
WIRING DETAILS

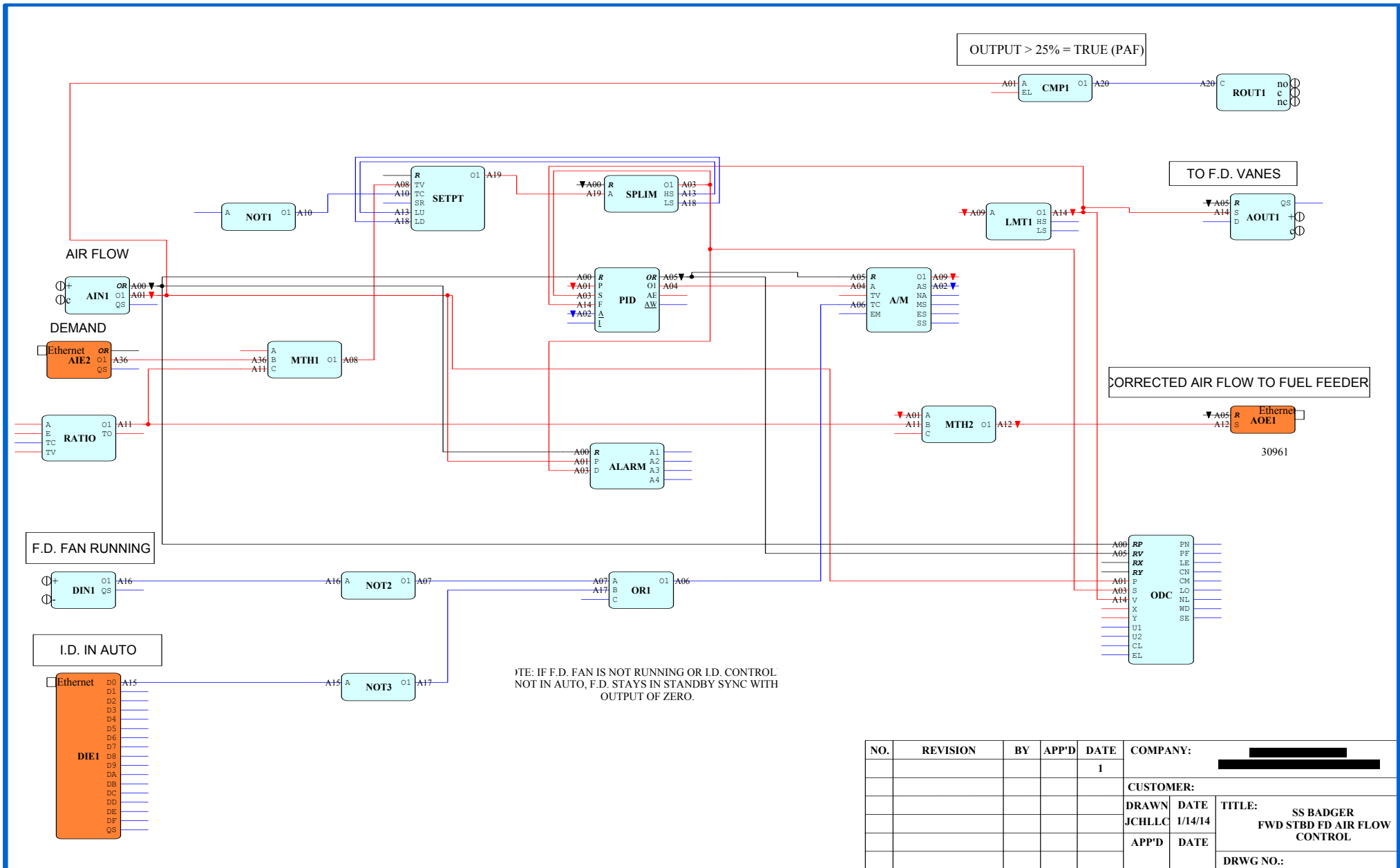
DRAWING NAME: STA1.DWG

DRAWING NUMBER:

BY: JCHLLC DATE: 1/29/14

SHEET \_\_\_ OF \_\_\_

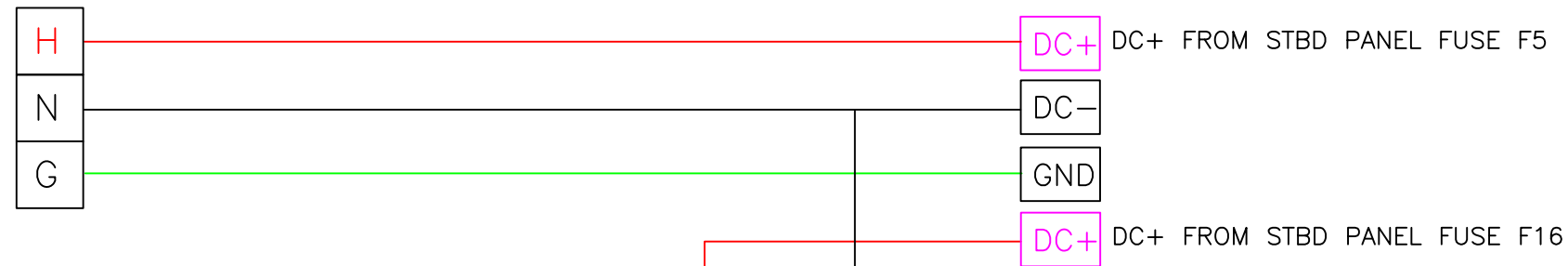
CONTAINS CONFIDENTIAL BUSINESS INFORMATION



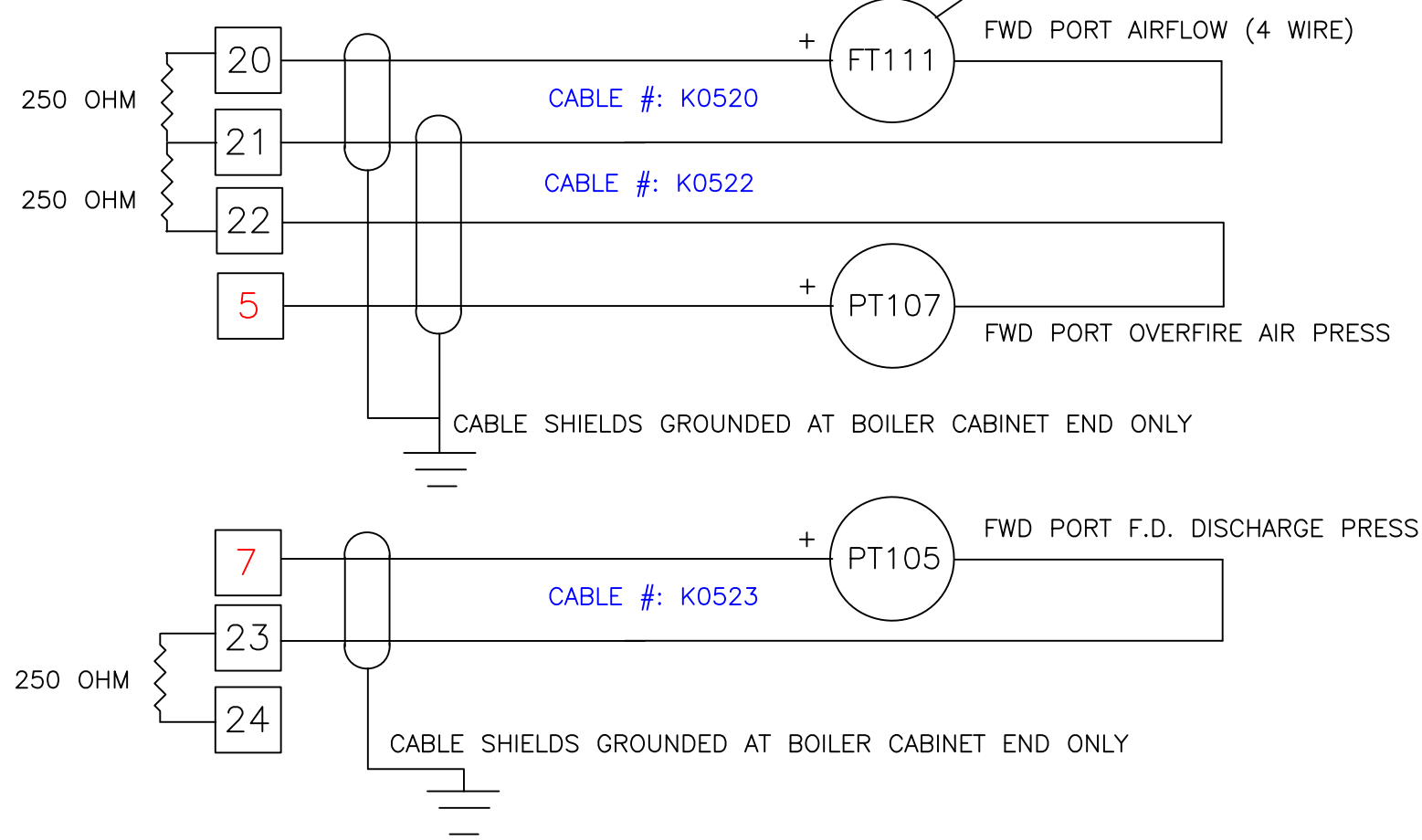
NO.	REVISION	BY	APP'D	DATE	COMPANY:	CUSTOMER:	
				1			
						DRAWN	DATE
						JCHLLC	1/14/14
						APP'D	DATE
						TITLE: SS BADGER FWD STBD FD AIR FLOW CONTROL	
						DRWG NO.:	

STA. POWER TERMINALS

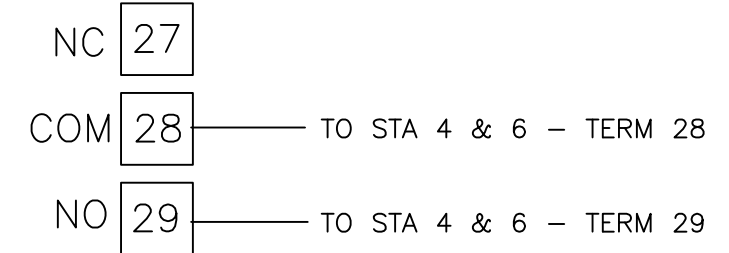
CABINET DC POWER DISTRIBUTION



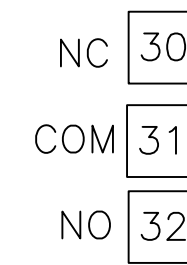
ANALOG INPUTS



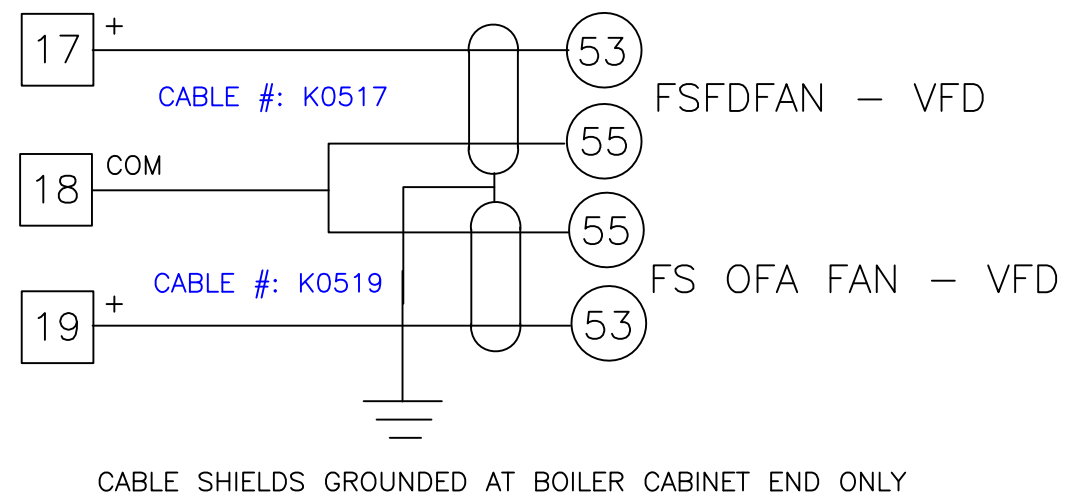
ALARM RELAY OUT



RELAY #2



ANALOG OUTPUTS

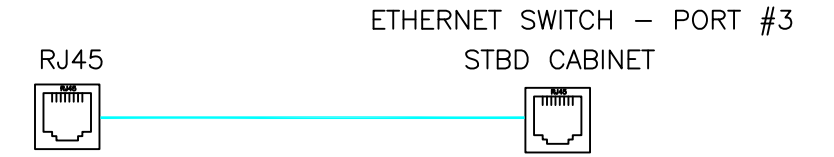
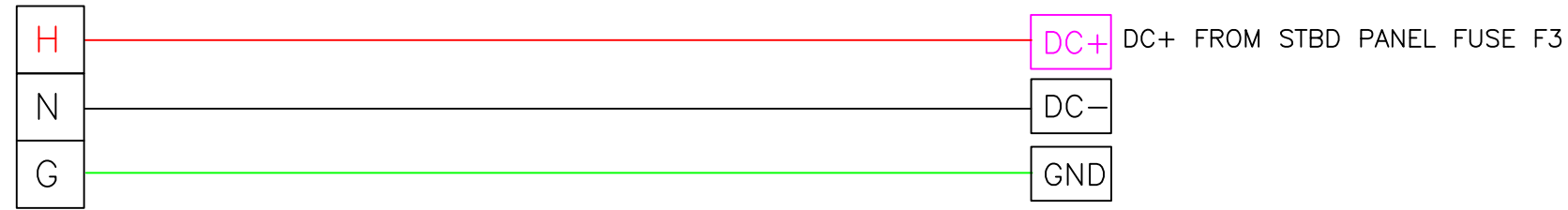


SS BADGER  
STATION 5 - FWD STBD FORCED DRAFT  
WIRING DETAILS

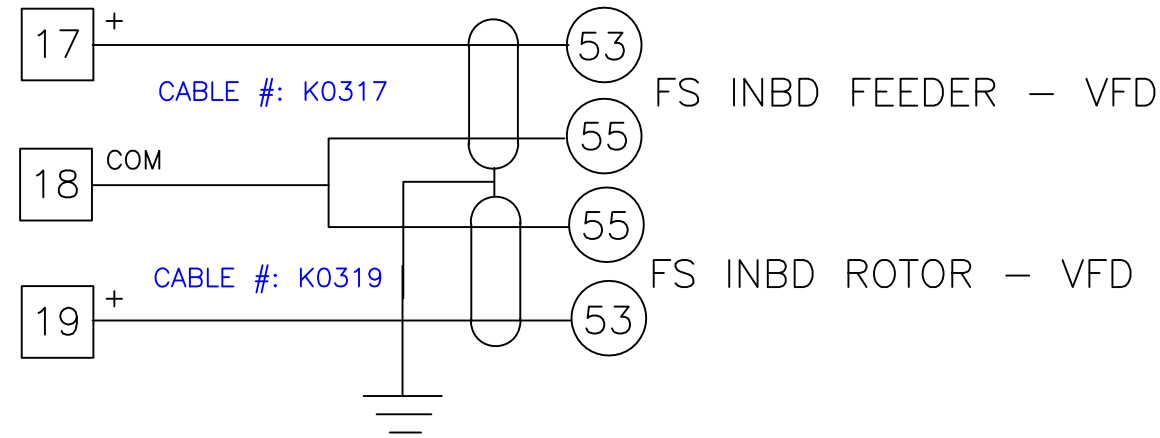


STA. POWER TERMINALS

CABINET DC POWER DISTRIBUTION

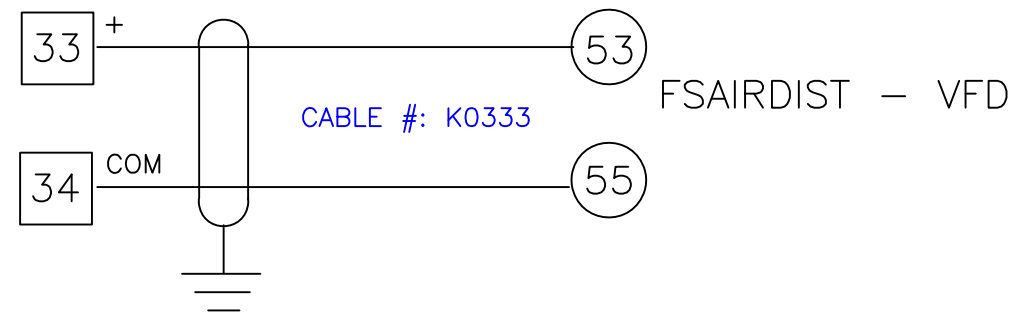


ANALOG OUTPUTS



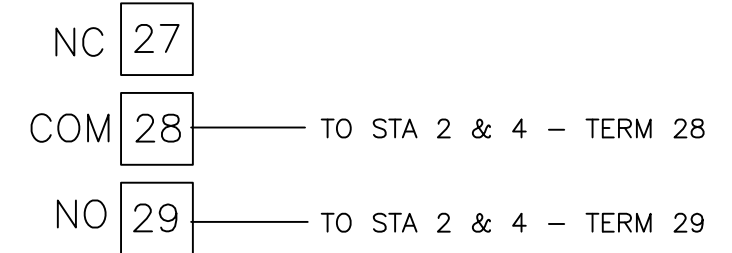
CABLE SHIELDS GROUNDED AT BOILER CABINET END ONLY

ANALOG OUTPUTS

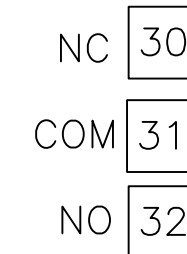


CABLE SHIELDS GROUNDED AT BOILER CABINET END ONLY

ALARM RELAY OUT



RELAY #2



SS BADGER  
STATION 3 - FWD STBD INBD FEEDER  
WIRING DETAILS

DRAWING NAME: STA3.DWG

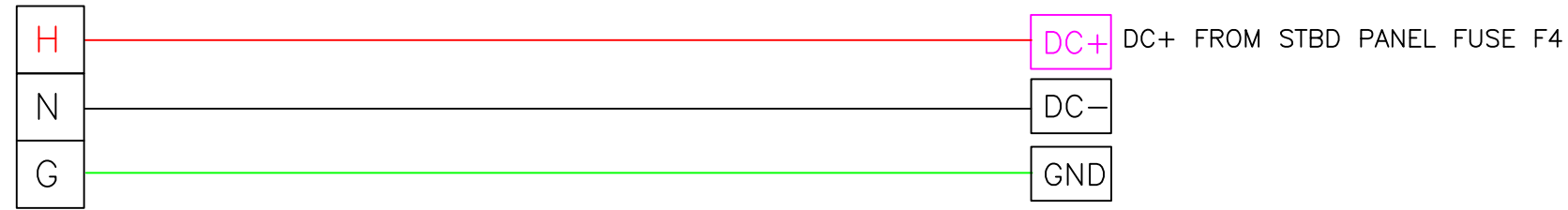
DRAWING NUMBER:

BY: JCHLLC DATE: 1/30/14

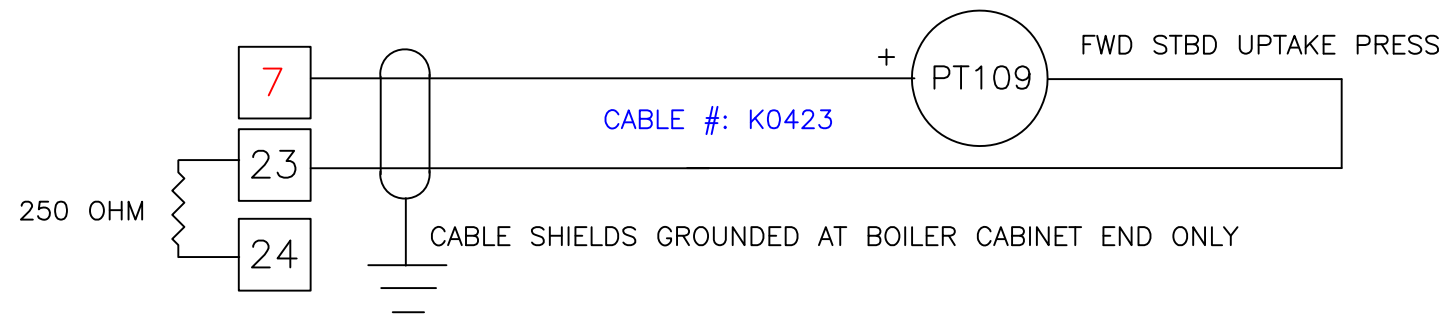
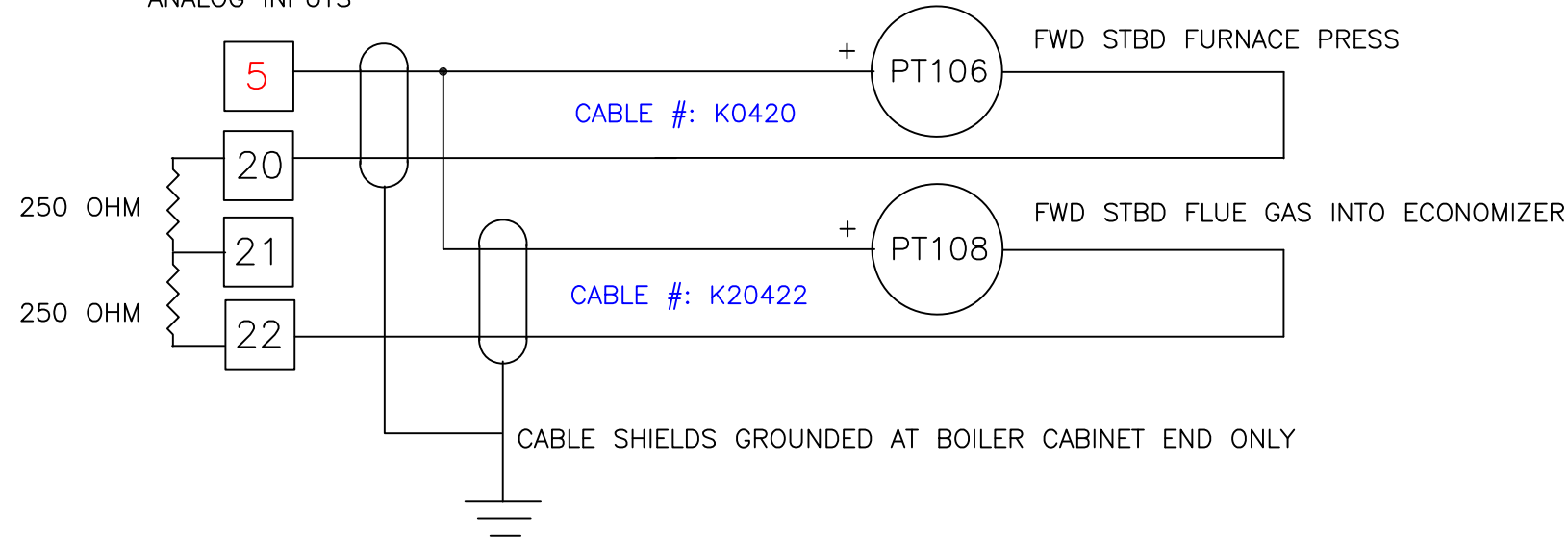
SHEET \_\_\_ OF \_\_\_

STA. POWER TERMINALS

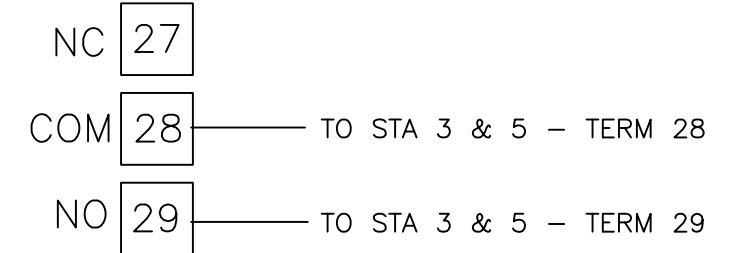
CABINET DC POWER DISTRIBUTION



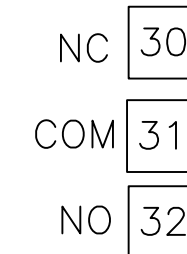
ANALOG INPUTS



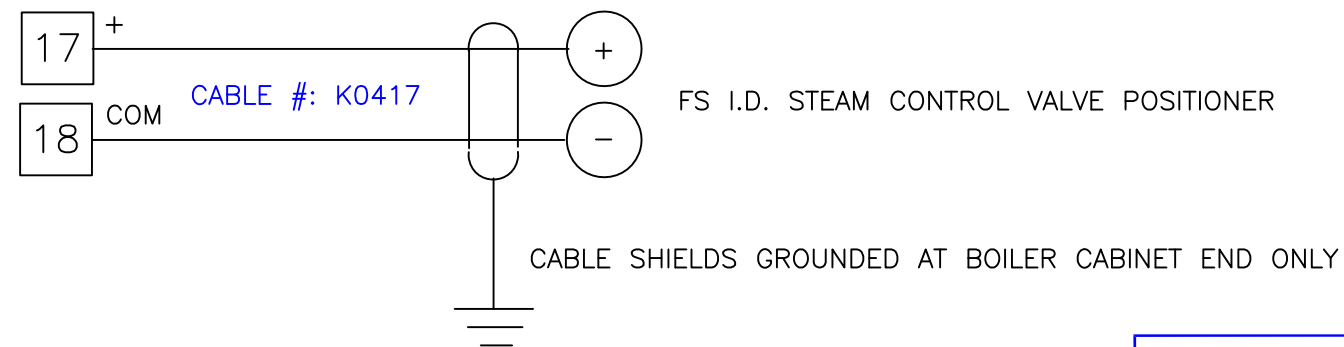
ALARM RELAY OUT



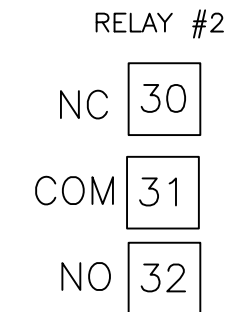
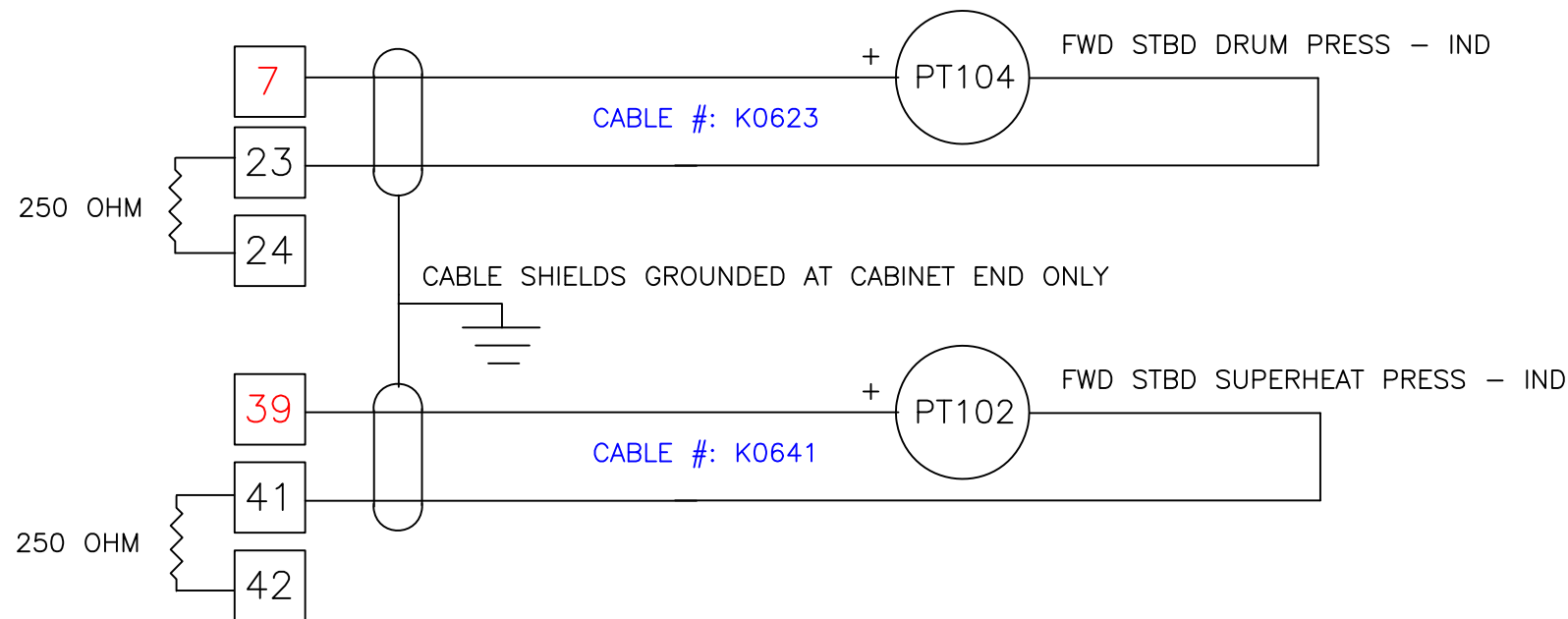
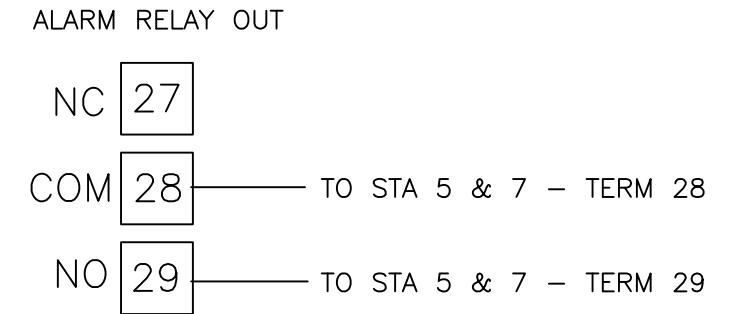
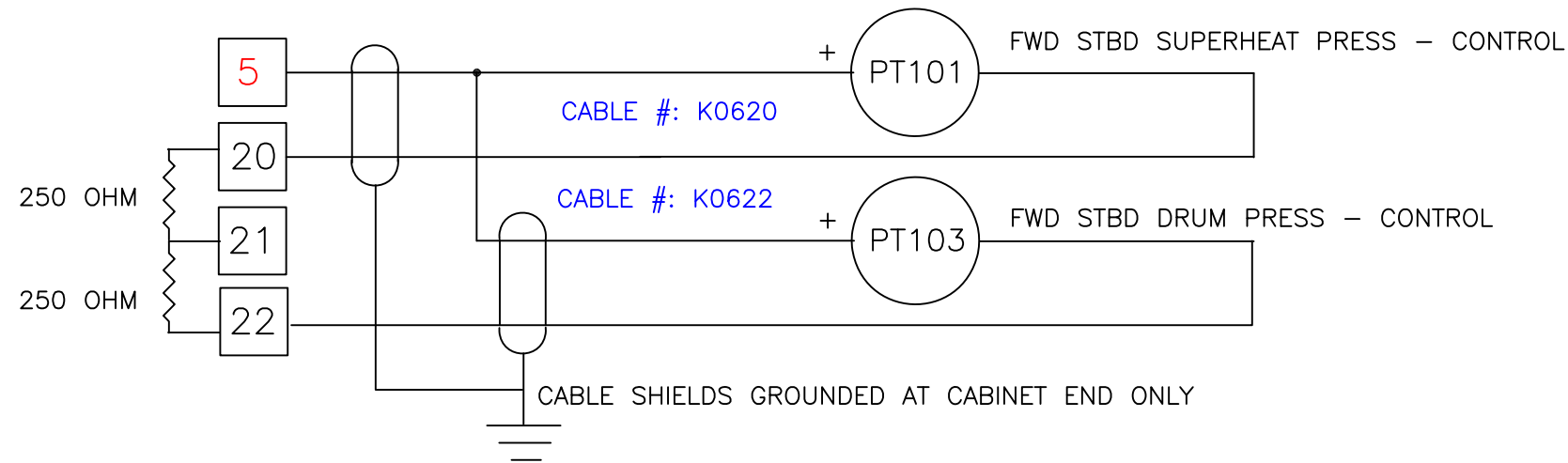
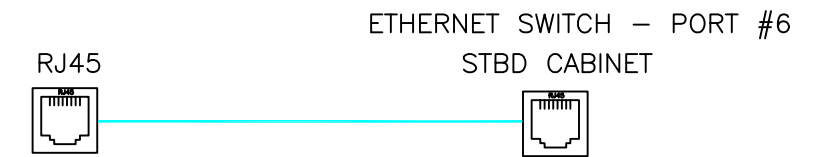
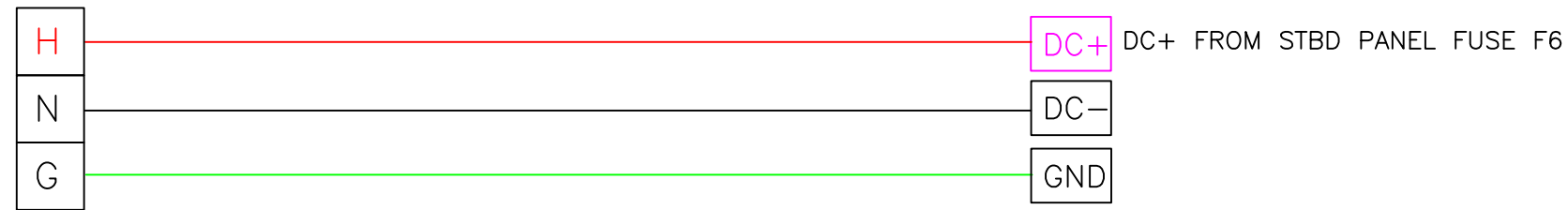
RELAY #2



ANALOG OUTPUTS



SS BADGER  
STATION 4 - FWD STBD INDUCED DRAFT  
WIRING DETAILS



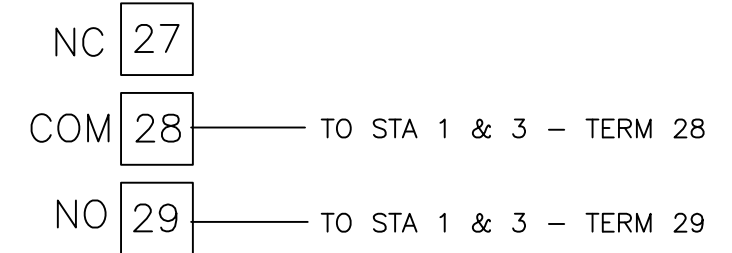
SS BADGER  
STATION 6 - FWD STBD MASTER  
WIRING DETAILS

STA. POWER TERMINALS

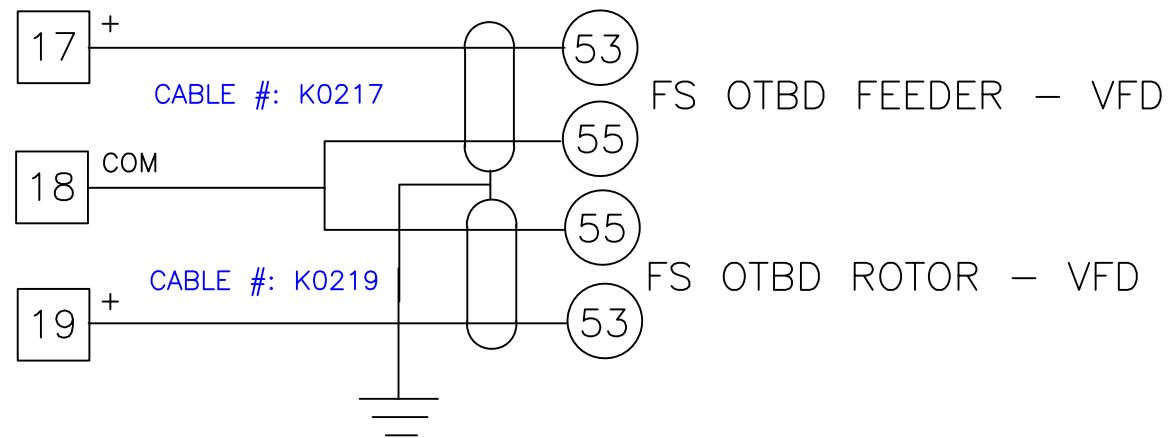
CABINET DC POWER DISTRIBUTION



ALARM RELAY OUT

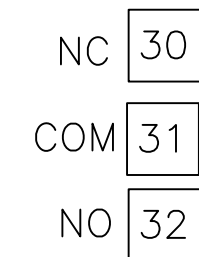


ANALOG OUTPUTS



CABLE SHIELDS GROUNDED AT BOILER CABINET END ONLY

RELAY #2



SS BADGER  
STATION 2 - FWD STBD OTBD FEEDER  
WIRING DETAILS

DRAWING NAME: STA2.DWG

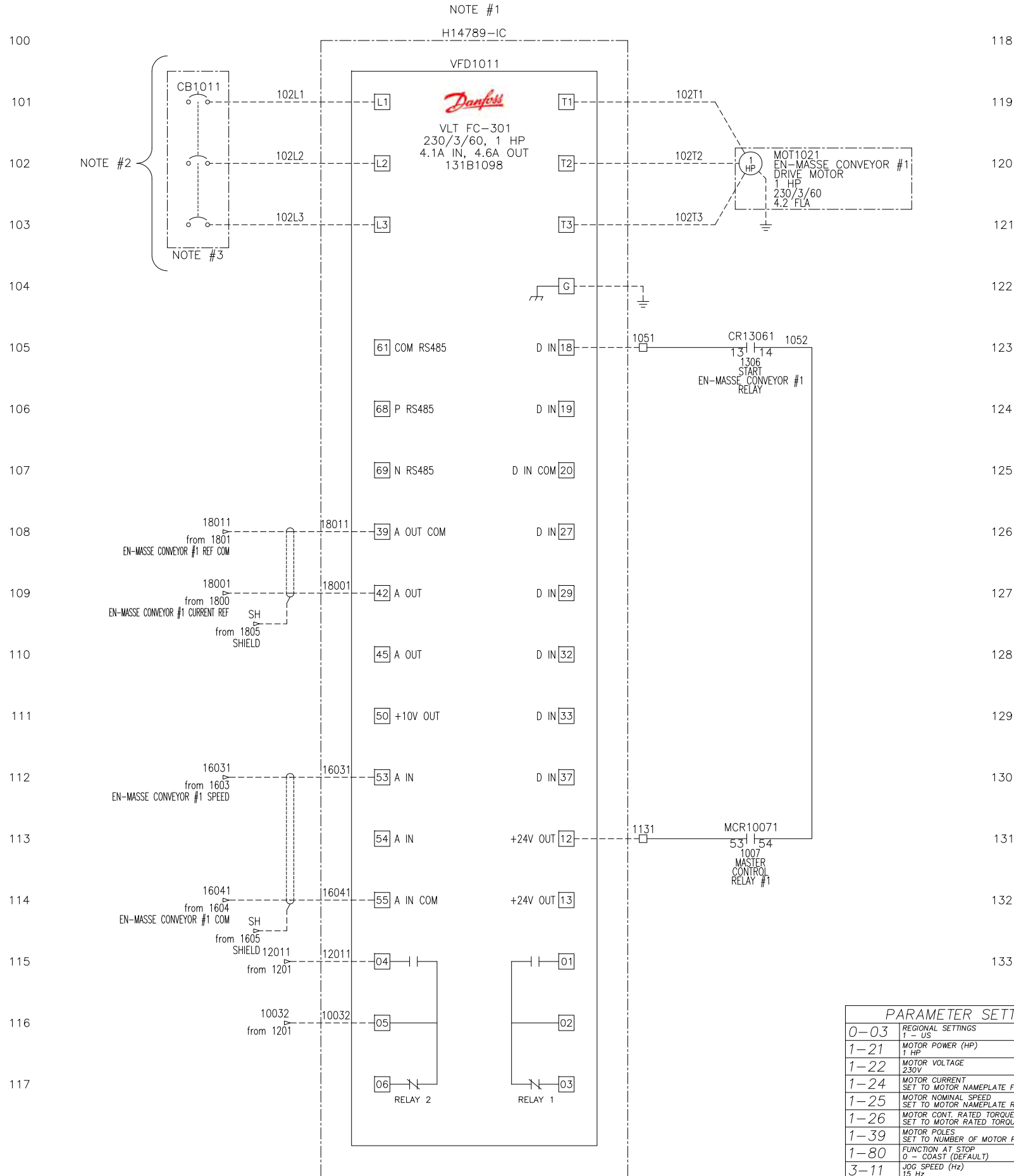
DRAWING NUMBER:

BY: JCHLLC

DATE: 1/30/14

SHEET \_\_\_ OF \_\_\_

REV	DESCRIPTION	DATE	BY
A	CHANGED SUFFIXES, ADDED PLC INPUTS	1/6/14	CR



MAIN PANEL, H14789-IA,  
BEGINS ON SHEET 9

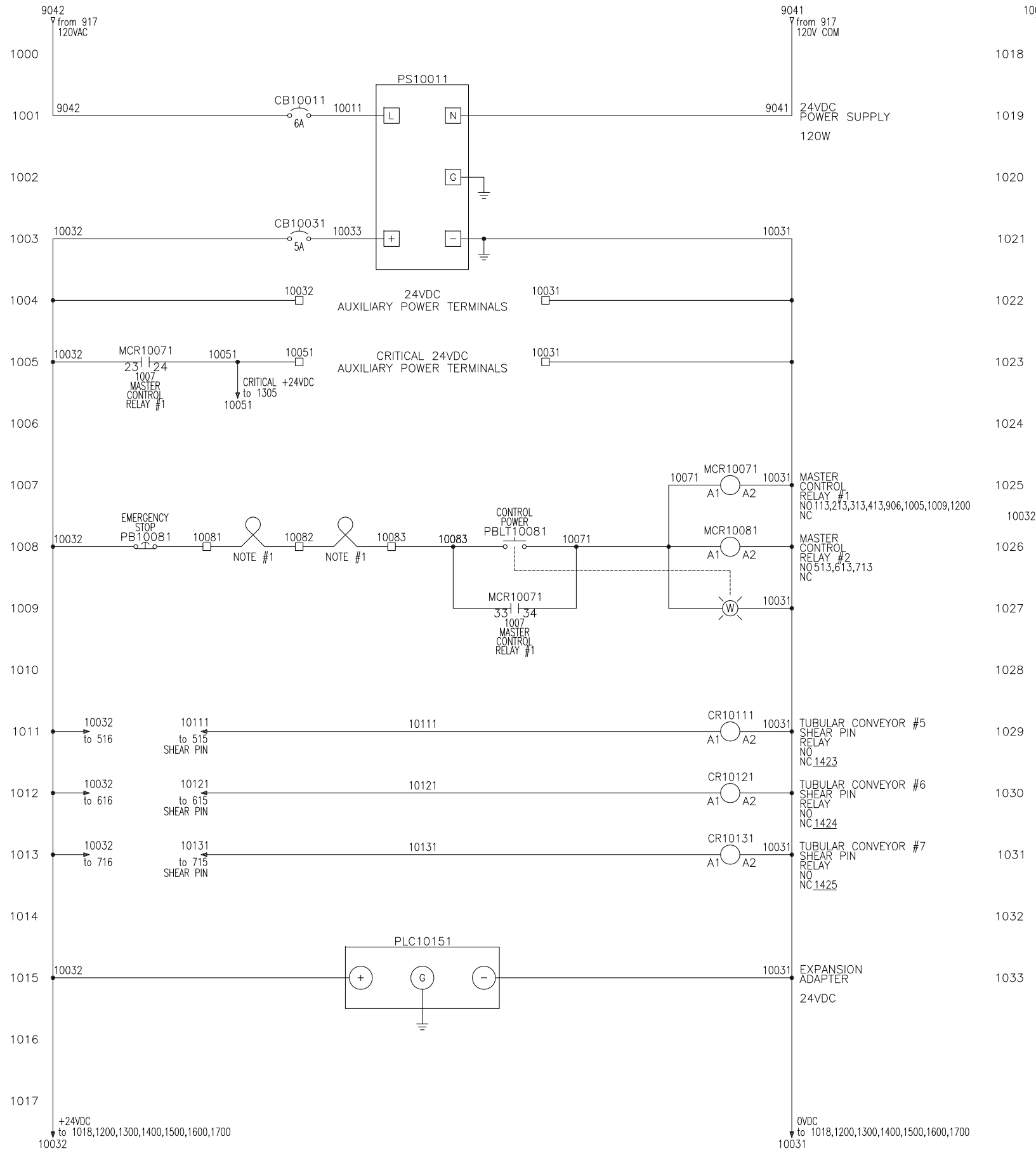
NOTE #1: VFD LOCATED OUTSIDE OF MAIN PANEL, H14789-IA  
NOTE #2: VFD POWER FED FROM SOURCE OUTSIDE MAIN PANEL, H15789-IA  
NOTE #3: FUSE OR CIRCUIT BREAKER REQUIRED BASED ON VFD MANUFACTURER RECOMMENDED OVER CURRENT PROTECTION

PARAMETER SETTINGS		PARAMETER SETTINGS	
0-03	REGIONAL SETTINGS 1 - US	4-12	MOTOR SPEED LOW LIMIT (Hz) 15 Hz
1-21	MOTOR POWER (HP) 1 HP	4-19	MAX OUTPUT FREQUENCY 60 Hz
1-22	MOTOR VOLTAGE 230V	5-10	TERMINAL 18 8 - START
1-24	MOTOR CURRENT SET TO MOTOR NAMEPLATE FLA	5-12	TERMINAL 27 0 - NO OPERATION
1-25	MOTOR NOMINAL SPEED SET TO MOTOR NAMEPLATE RPM	5-41	FUNCTION RELAY, RELAY 2 5 - RUNNING
1-26	MOTOR CONT. RATED TORQUE SET TO MOTOR RATED TORQUE IN Nm	6-50	TERMINAL 42 OUTPUT 133 - MOTOR CUR. 4-20mA
1-39	MOTOR POLES SET TO NUMBER OF MOTOR POLES	-	-
1-80	FUNCTION AT STOP 0 - COAST (DEFAULT)	-	-
3-11	JOG SPEED (Hz) 15 Hz	-	-
3-41	RAMP 1 RAMP UP TIME 5 SEC	-	-
3-42	RAMP 1 RAMP DOWN TIME 5 SEC	DIP S201	TERMINAL 53 ANALOG INPUT ON - 0/4-20mA

DATE	12/3/14	JOB NO.	H14789-IA & IC	DRAWN	CR
SCALE	N/A	BOM	1	DWG	1
TITLE					
<b>MOTOR WIRING DIAGRAM</b>					
NEMA 4/12 - UNITRONICS PLC BATCH CONTROL					
CUST. LAKE MICHIGAN TRANS-LAKE SHORTCUT, INC.					
SHEET	1	OF	23	DWG. NO.	H14789IA-D00
					REV.
					A

CONTAINS CONFIDENTIAL BUSINESS INFORMATION

REV	DESCRIPTION	DATE	BY
A	CHANGED SUFFIXES, ADDED PLC INPUTS	1/6/14	CR



1000  
1001  
1002  
1003  
1004  
1005  
1006  
1007  
1008  
1009  
1010  
1011  
1012  
1013  
1014  
1015  
1016  
1017

1018  
1019  
1020  
1021  
1022  
1023  
1024  
1025  
1026  
1027  
1028  
1029  
1030  
1031  
1032  
1033

NOTES:  
1. REMOVE JUMPER IF CIRCUIT IS UTILIZED

DATE	12/3/14	JOB NO.	H14789-IA & IC
SCALE	N/A	DRAWN	CR
TITLE		BOM	1
24VDC WIRING DIAGRAM		DWG	1
NEMA 4/12 - UNITRONICS PLC BATCH CONTROL			
CUST. LAKE MICHIGAN TRANS-LAKE SHORTCUT, INC.			
SHEET	10	OF	23
DWG. NO.	H14789IA-D00		REV.
			A

CONTAINS CONFIDENTIAL BUSINESS INFORMATION

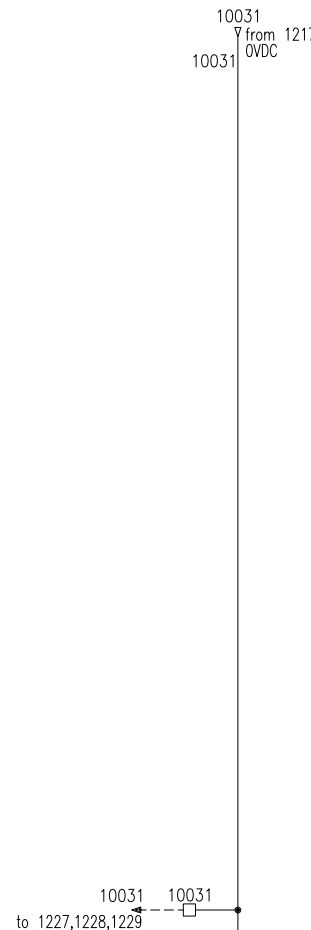
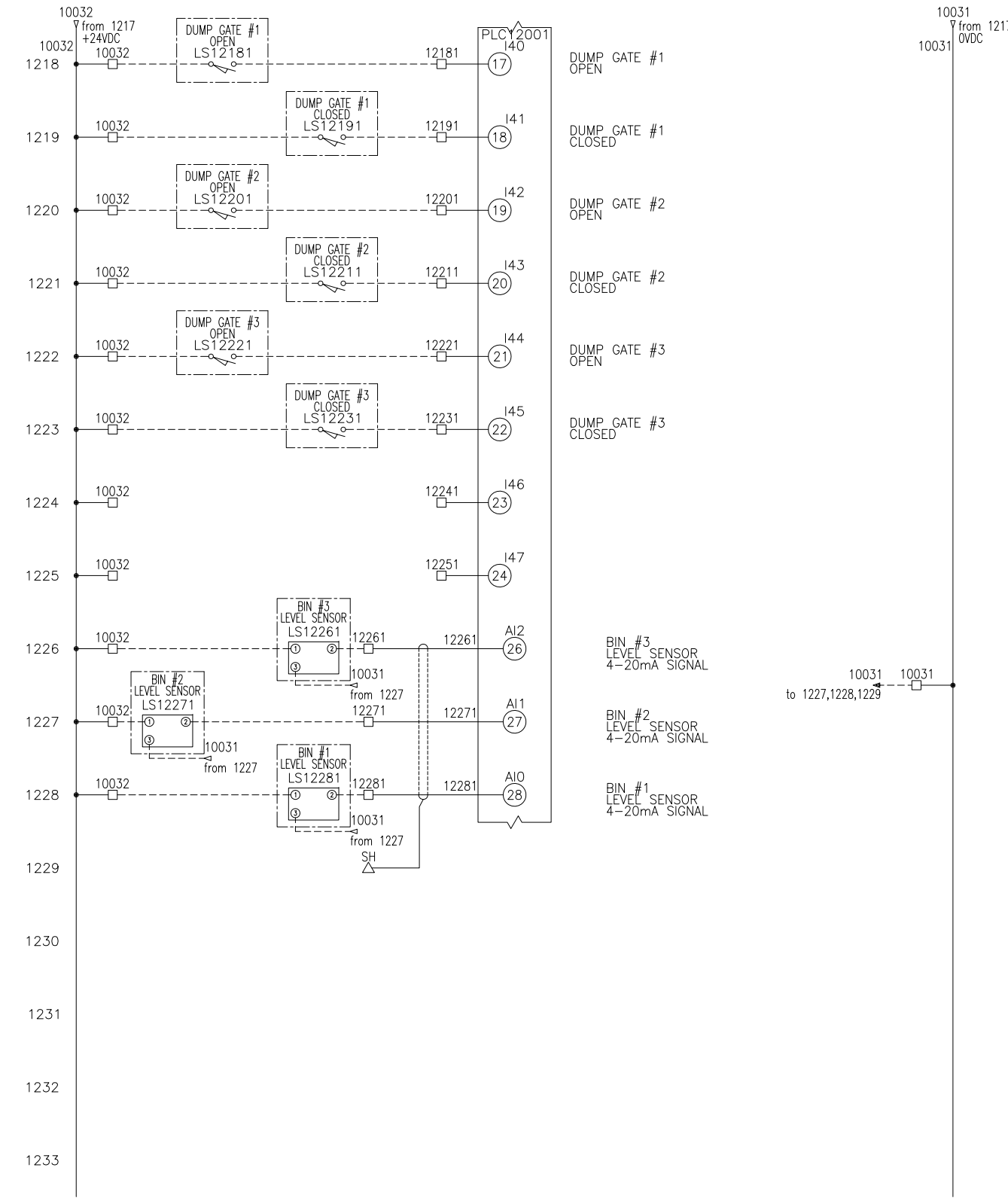
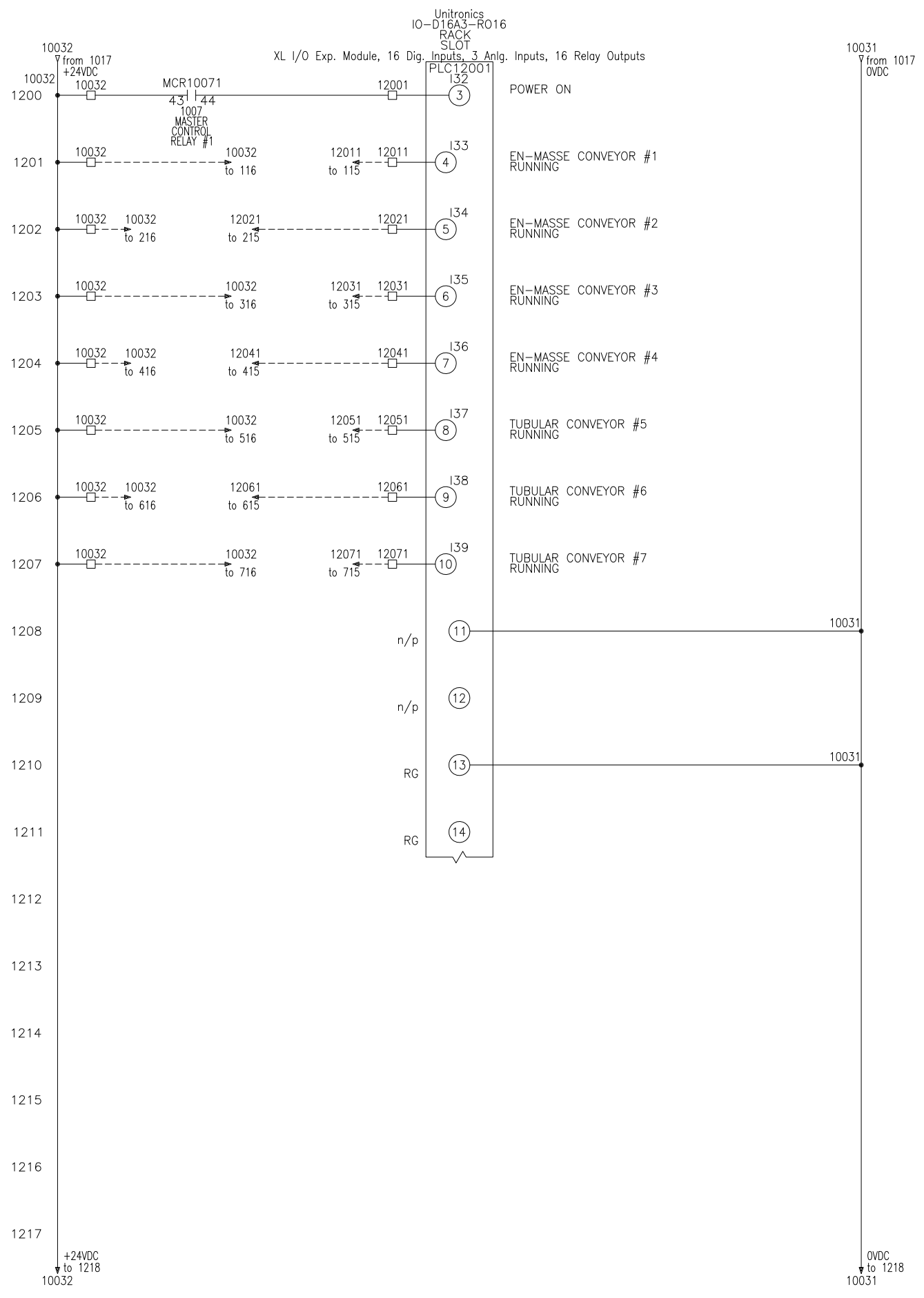
REV	DESCRIPTION	DATE	BY
A	CHANGED SUFFIXES, ADDED PLC INPUTS	1/6/14	CR

1100  
1101  
1102  
1103  
1104  
1105  
1106  
1107  
1108  
1109  
1110  
1111  
1112  
1113  
1114  
1115  
1116  
1117

1118  
1119  
1120  
1121  
1122  
1123  
1124  
1125  
1126  
1127  
1128  
1129  
1130  
1131  
1132  
1133

DATE	12/3/14	JOB NO.	H14789-1A & 1C
SCALE	N/A	DRAWN	CR
		BOM = 1	DWG = 1
TITLE <b>RESERVED</b> NEMA 4/12 - UNITRONICS PLC BATCH CONTROL			
CUST. LAKE MICHIGAN TRANS-LAKE SHORTCUT, INC.			
SHEET	11 OF 23	DWG. NO.	H14789IA-D00
			REV. A

REV	DESCRIPTION	DATE	BY
A	CHANGED SUFFIXES, ADDED PLC INPUTS	1/6/14	CR

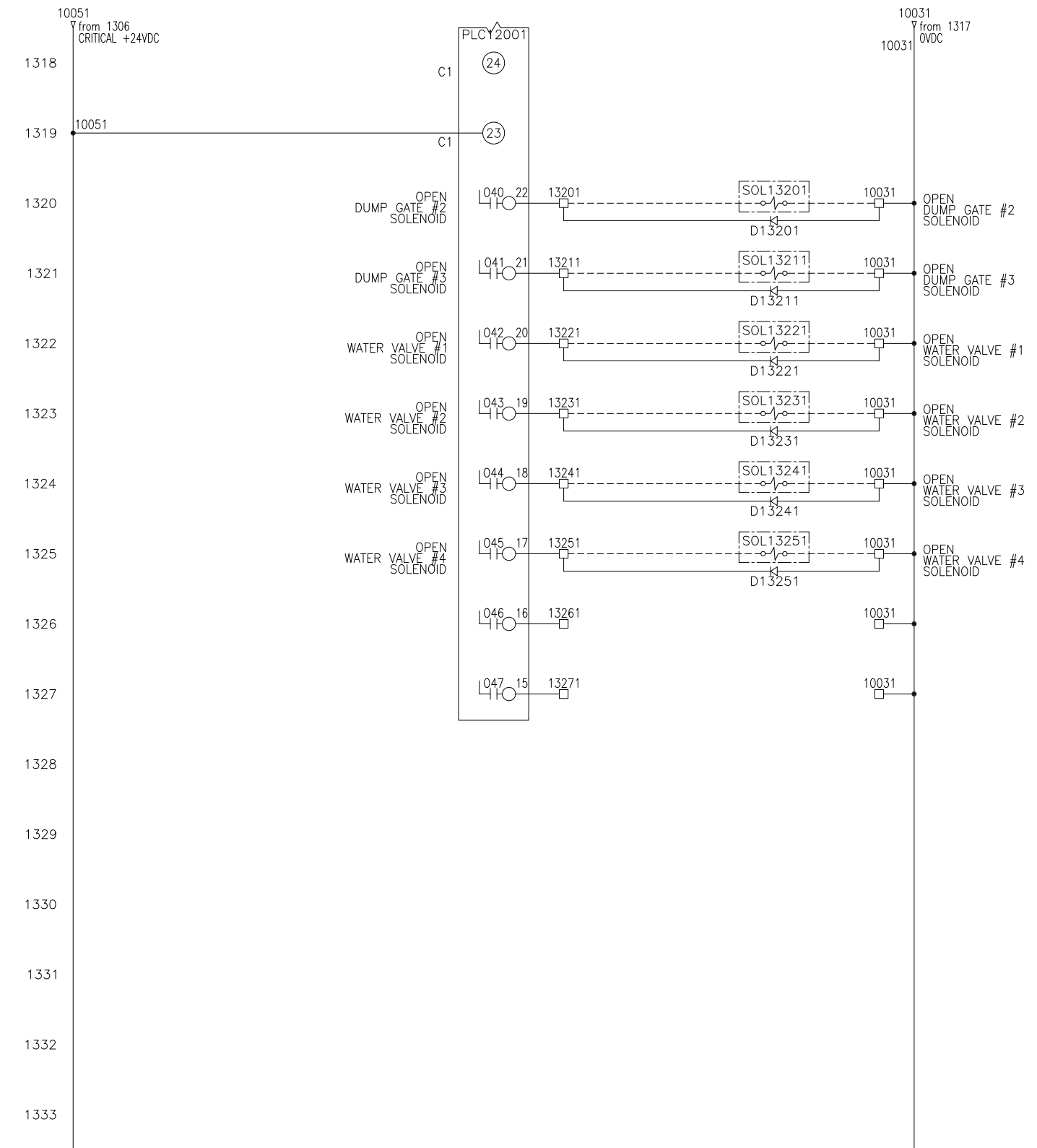
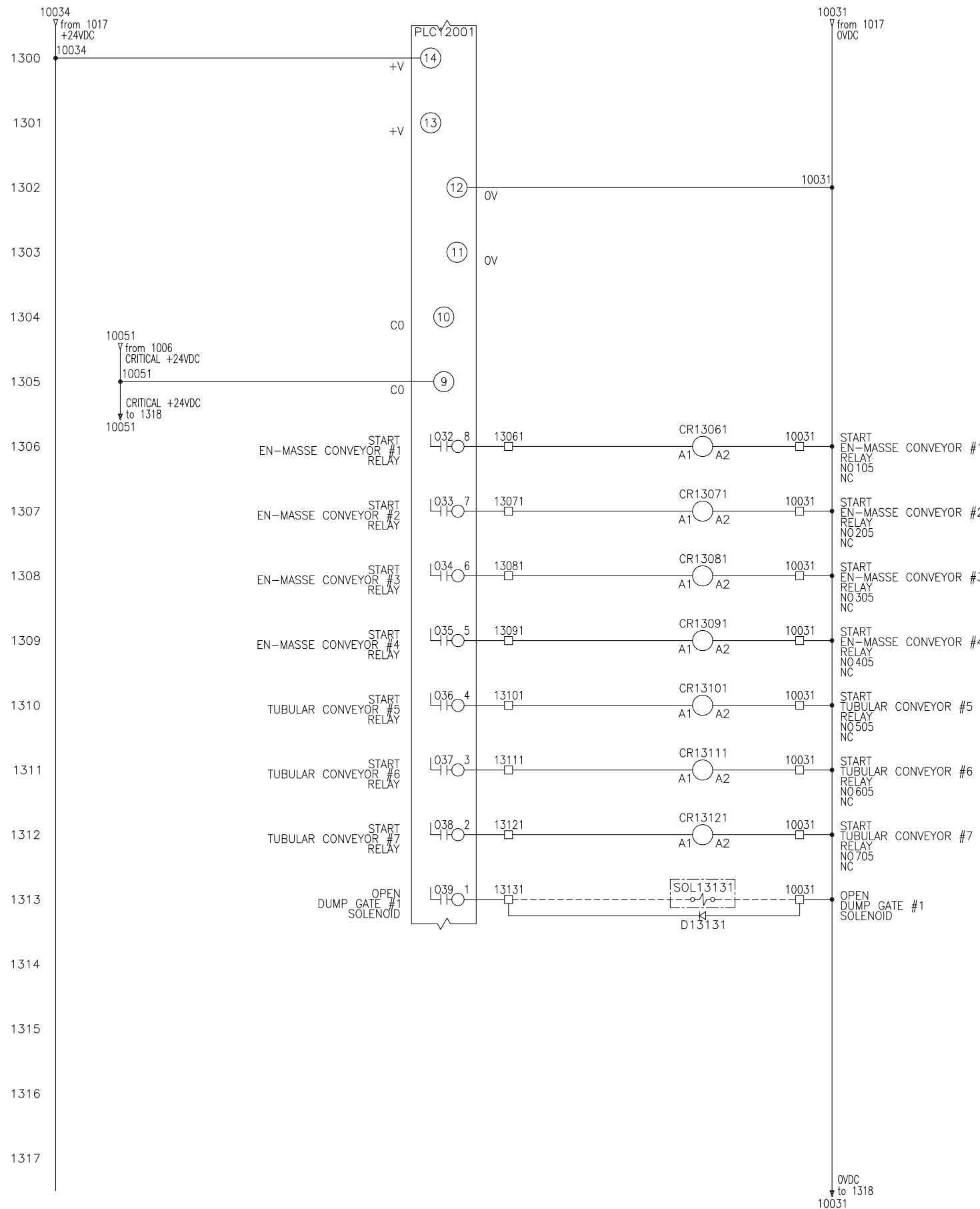


CONTAINS CONFIDENTIAL BUSINESS INFORMATION

DATE 12/3/14		JOB NO. H14789-IA & IC		DRAWN CR	
SCALE N/A				BOM - 1 DWG - 1	
TITLE PLC WIRING DIAGRAM NEMA 4/12 - UNITRONICS PLC BATCH CONTROL					
CUST. LAKE MICHIGAN TRANS-LAKE SHORTCUT, INC.					
SHEET 12 OF 23		DWG. NO. H14789IA-D00		REV. A	



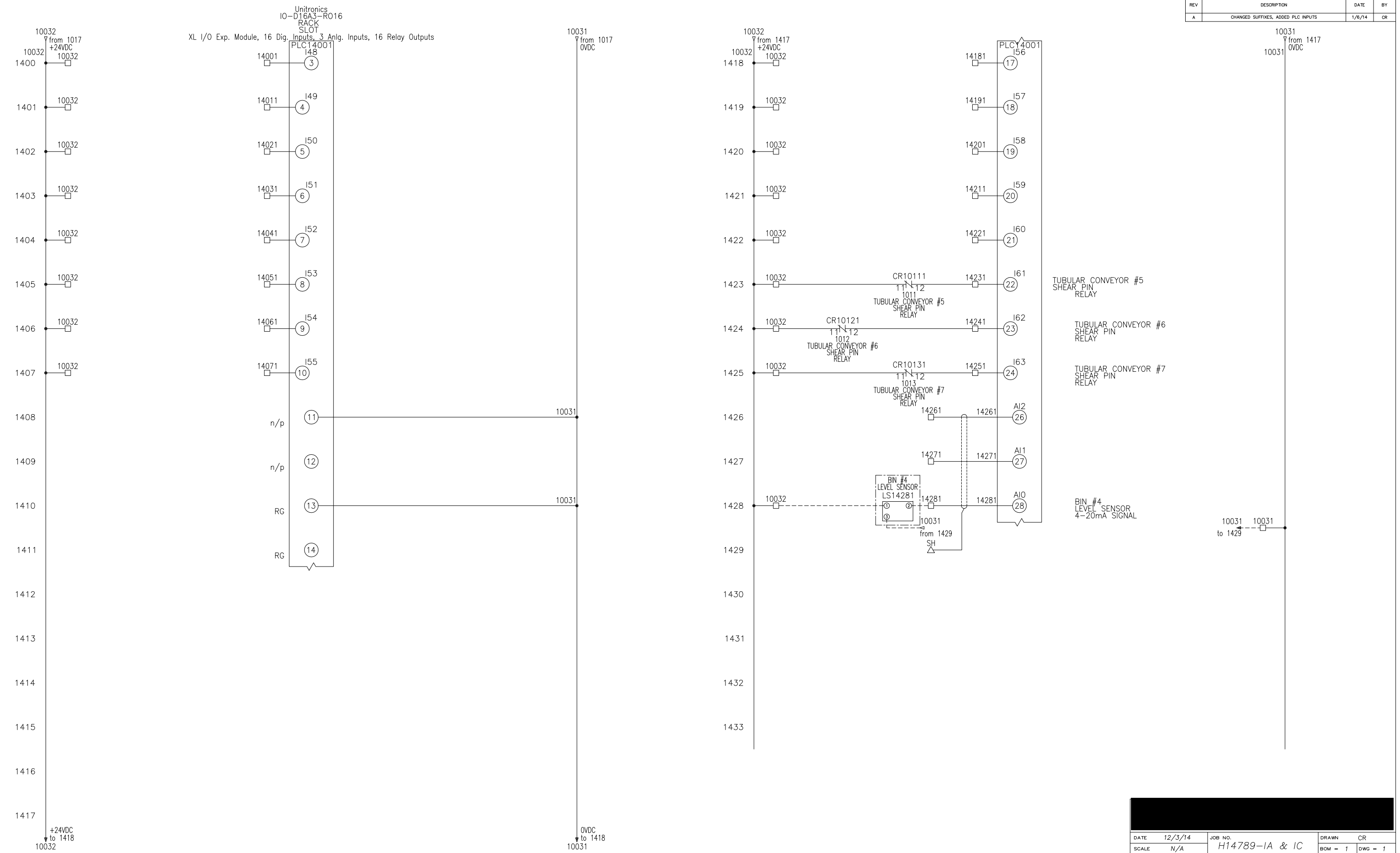
REV	DESCRIPTION	DATE	BY
A	CHANGED SUFFIXES, ADDED PLC INPUTS	1/6/14	CR



CONTAINS CONFIDENTIAL BUSINESS INFORMATION

DATE 12/3/14				JOB NO. H14789-IA & IC		DRAWN CR	
SCALE N/A				BOM = 1		DWG = 1	
TITLE PLC WIRING DIAGRAM NEMA 4/12 - UNITRONICS PLC BATCH CONTROL							
CUST. LAKE MICHIGAN TRANS-LAKE SHORTCUT, INC.							
SHEET 13		OF 23		DWG. NO. H14789IA-D00		REV. A	

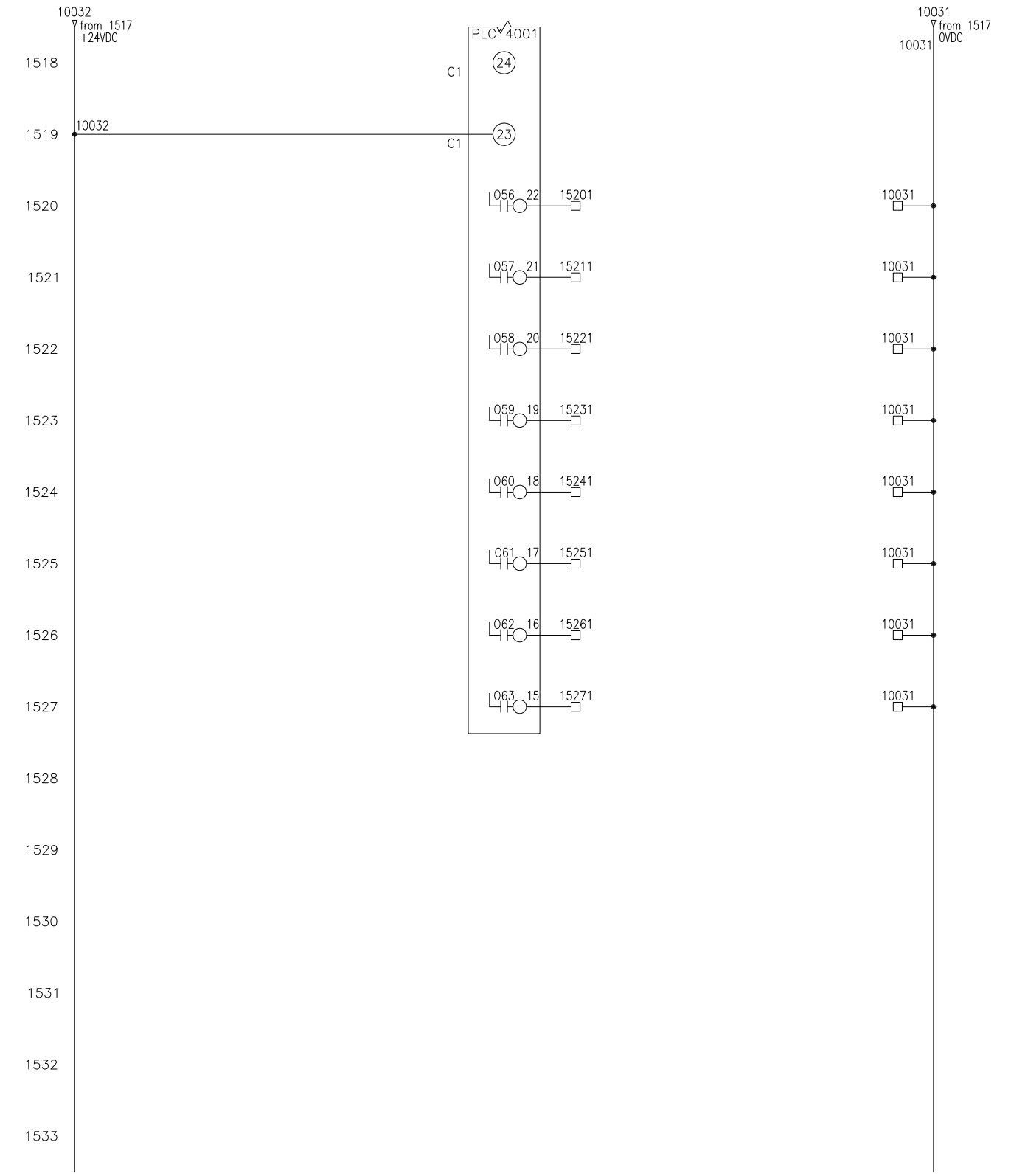
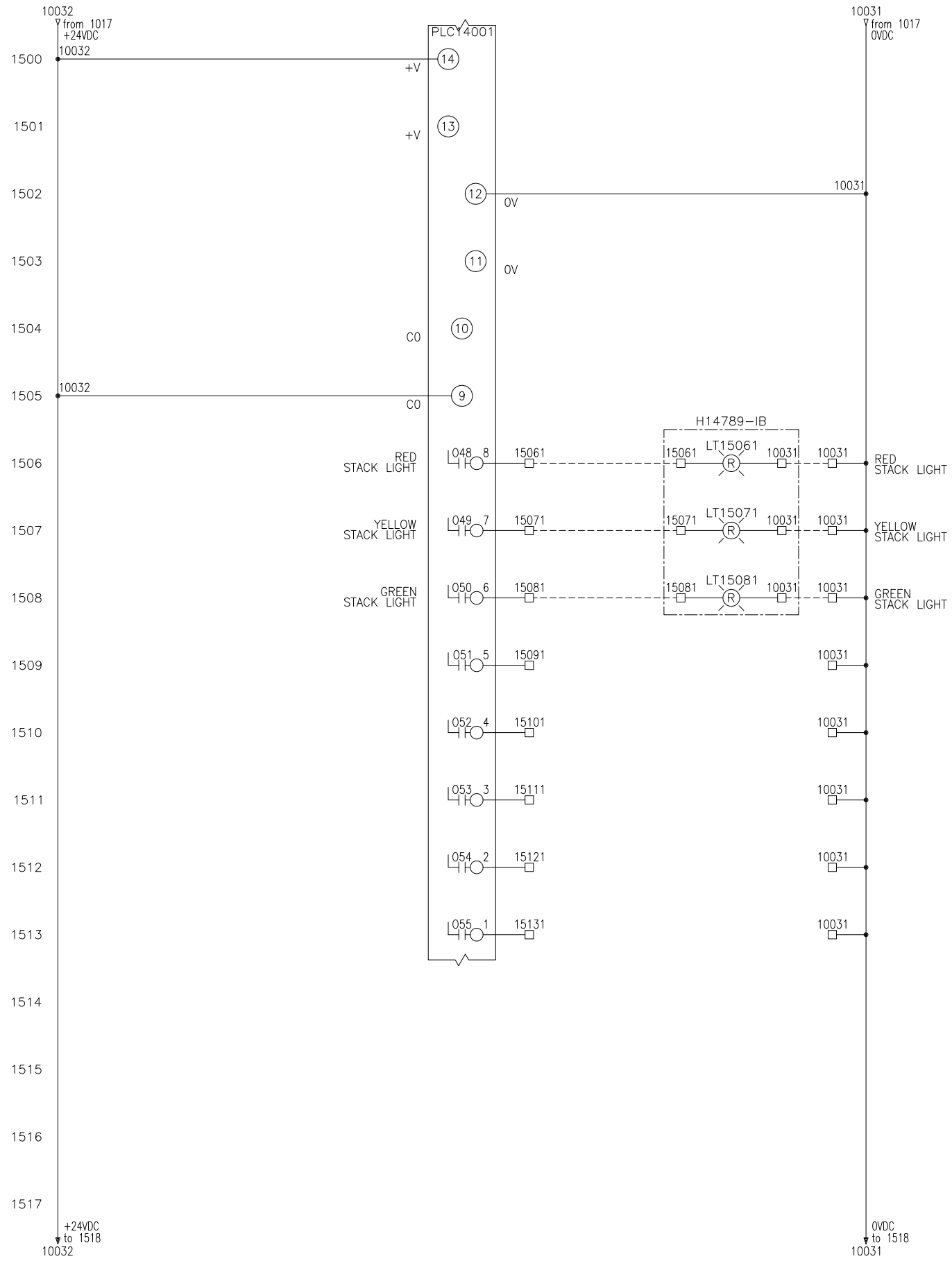
REV	DESCRIPTION	DATE	BY
A	CHANGED SUFFIXES, ADDED PLC INPUTS	1/6/14	CR



CONTAINS CONFIDENTIAL BUSINESS INFORMATION

<b>PLC WIRING DIAGRAM</b>			
DATE	12/3/14	JOB NO.	H14789-IA & IC
SCALE	N/A	DRAWN	CR
		BOM	1
		DWG	1
<b>PLC WIRING DIAGRAM</b> NEMA 4/12 - UNITRONICS PLC BATCH CONTROL			
CUST. LAKE MICHIGAN TRANS-LAKE SHORTCUT, INC.			
SHEET	14	OF	23
DWG. NO.	H14789IA-D00		
REV.	A		

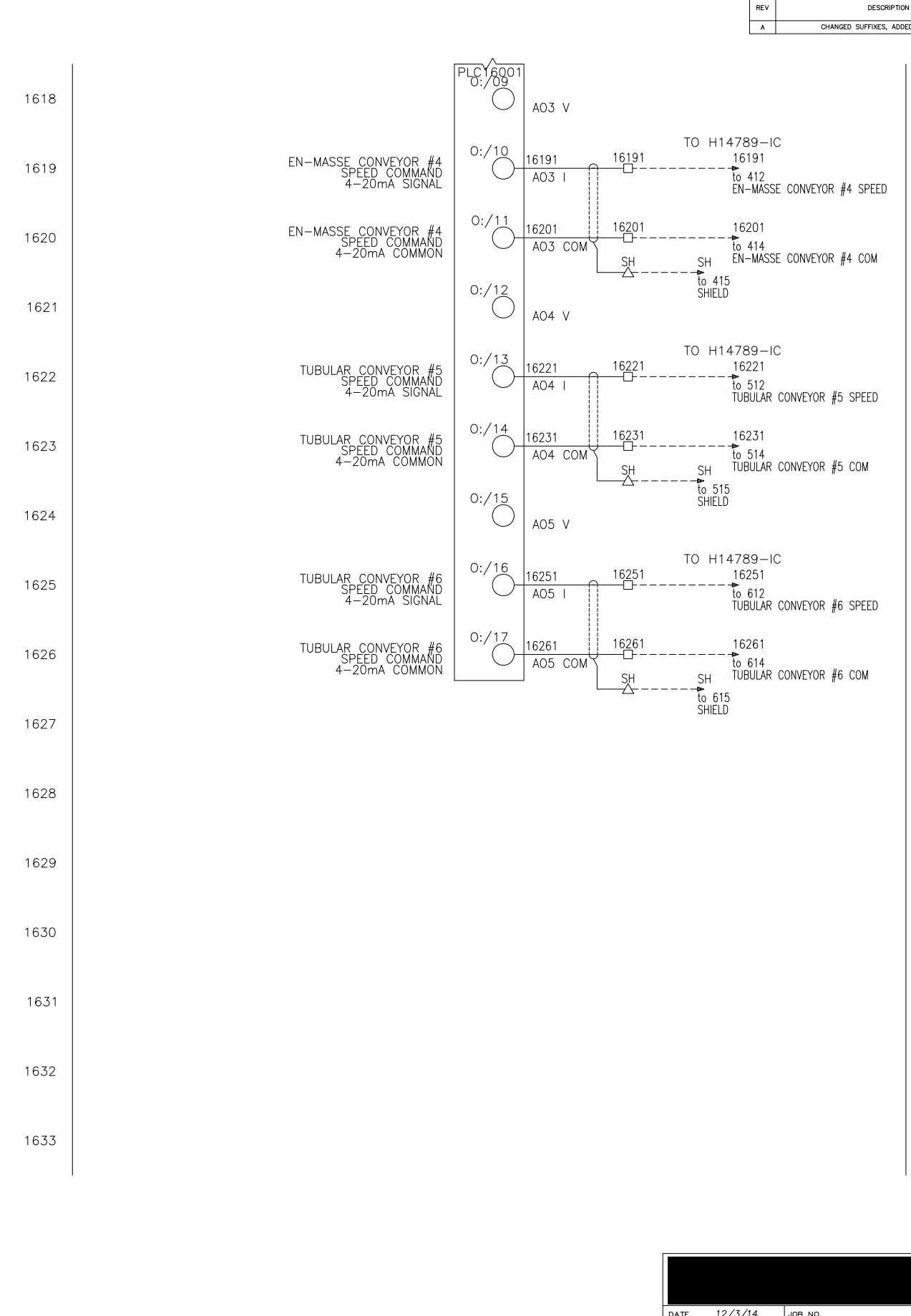
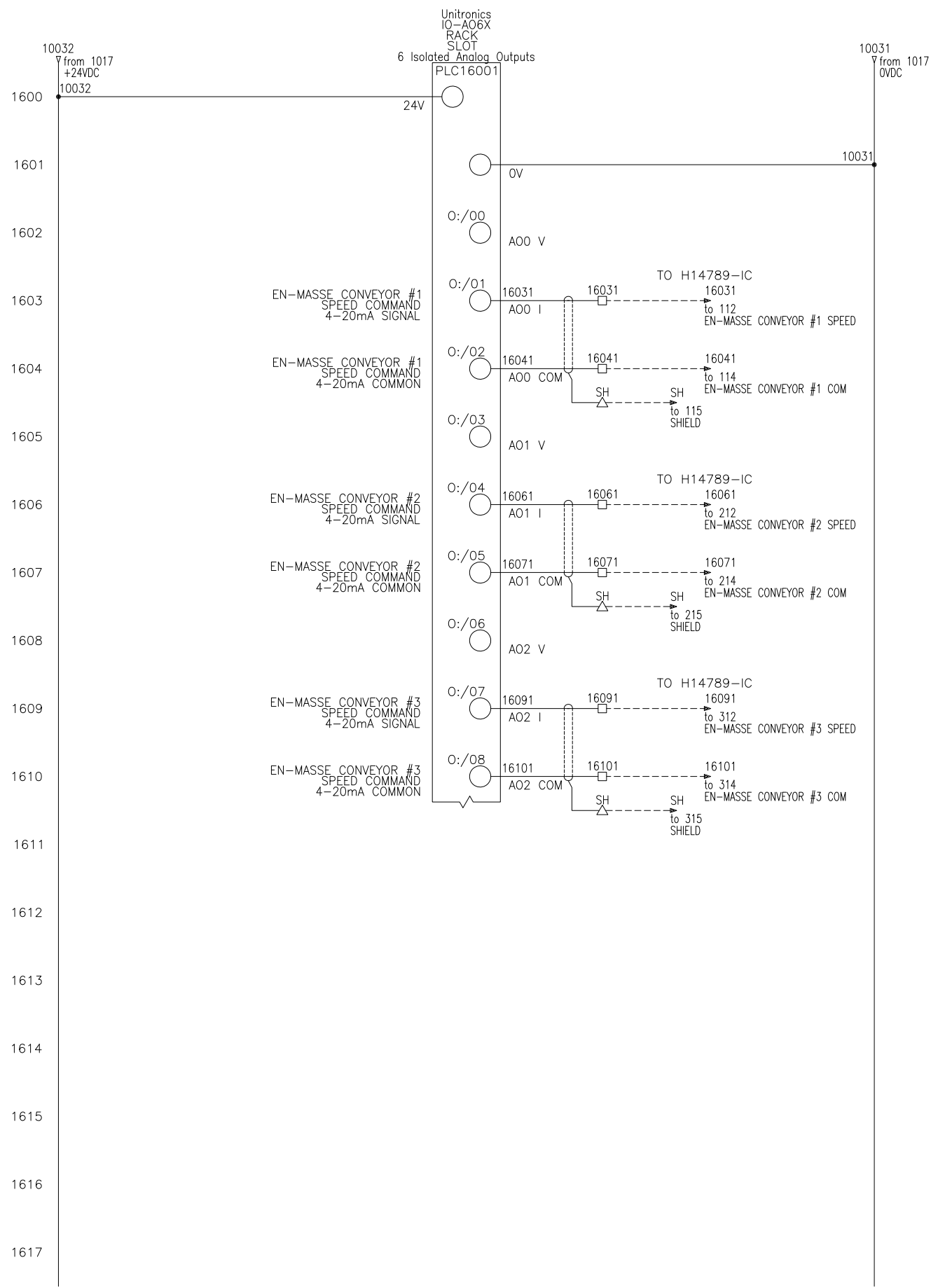
REV	DESCRIPTION	DATE	BY
A	CHANGED SUFFIXES, ADDED PLC INPUTS	1/6/14	CR



CONTAINS CONFIDENTIAL BUSINESS INFORMATION

DATE 12/3/14		JOB NO. H14789-IA & IC		DRAWN CR
SCALE N/A		BOM = 1		DWG = 1
TITLE PLC WIRING DIAGRAM NEMA 4/12 - UNITRONICS PLC BATCH CONTROL				
CUST. LAKE MICHIGAN TRANS-LAKE SHORTCUT, INC.				
SHEET 15 OF 23	DWG. NO. H14789IA-D00		REV. A	

REV	DESCRIPTION	DATE	BY
A	CHANGED SUFFIXES, ADDED PLC INPUTS	1/6/14	CR



1617

1616

1615

1614

1613

1612

1611

1610

1609

1608

1607

1606

1605

1604

1603

1602

1601

1600

1618

1619

1620

1621

1622

1623

1624

1625

1626

1627

1628

1629

1630

1631

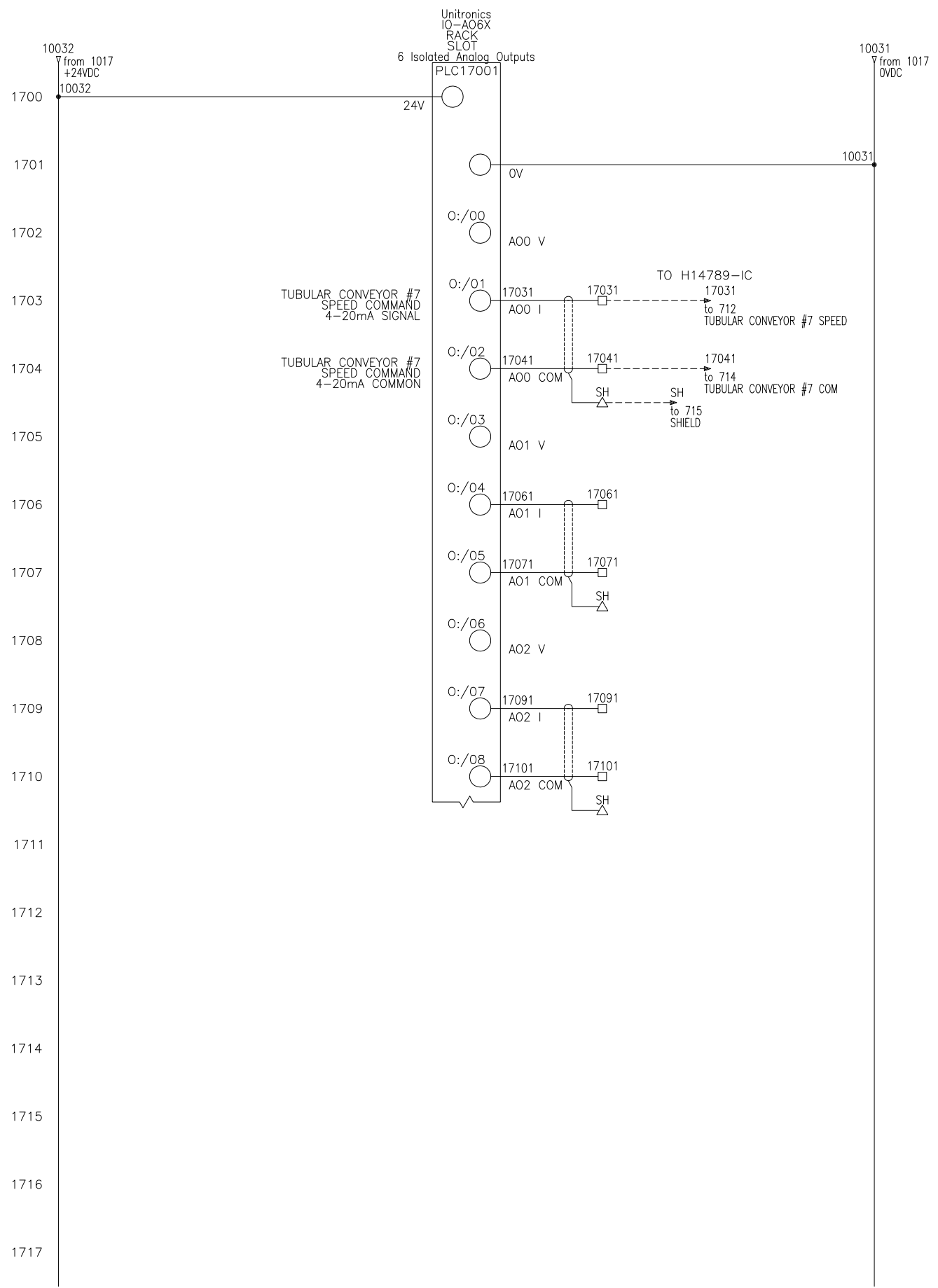
1632

1633

CONTAINS CONFIDENTIAL BUSINESS INFORMATION

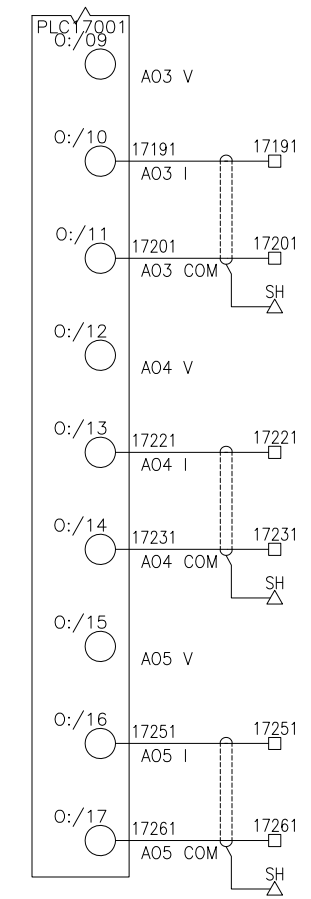
<b>PLC WIRING DIAGRAM</b> NEMA 4/12 - UNITRONICS PLC BATCH CONTROL			
DATE	12/3/14	JOB NO.	H14789-IA & IC
SCALE	N/A	DRAWN	CR
		BOM	1
		DWG	1
CUST. LAKE MICHIGAN TRANS-LAKE SHORTCUT, INC. SHEET 16 OF 23 DWG. NO. H14789IA-D00			
			REV. A

REV	DESCRIPTION	DATE	BY
A	CHANGED SUFFIXES, ADDED PLC INPUTS	1/6/14	CR



1700  
1701  
1702  
1703  
1704  
1705  
1706  
1707  
1708  
1709  
1710  
1711  
1712  
1713  
1714  
1715  
1716  
1717

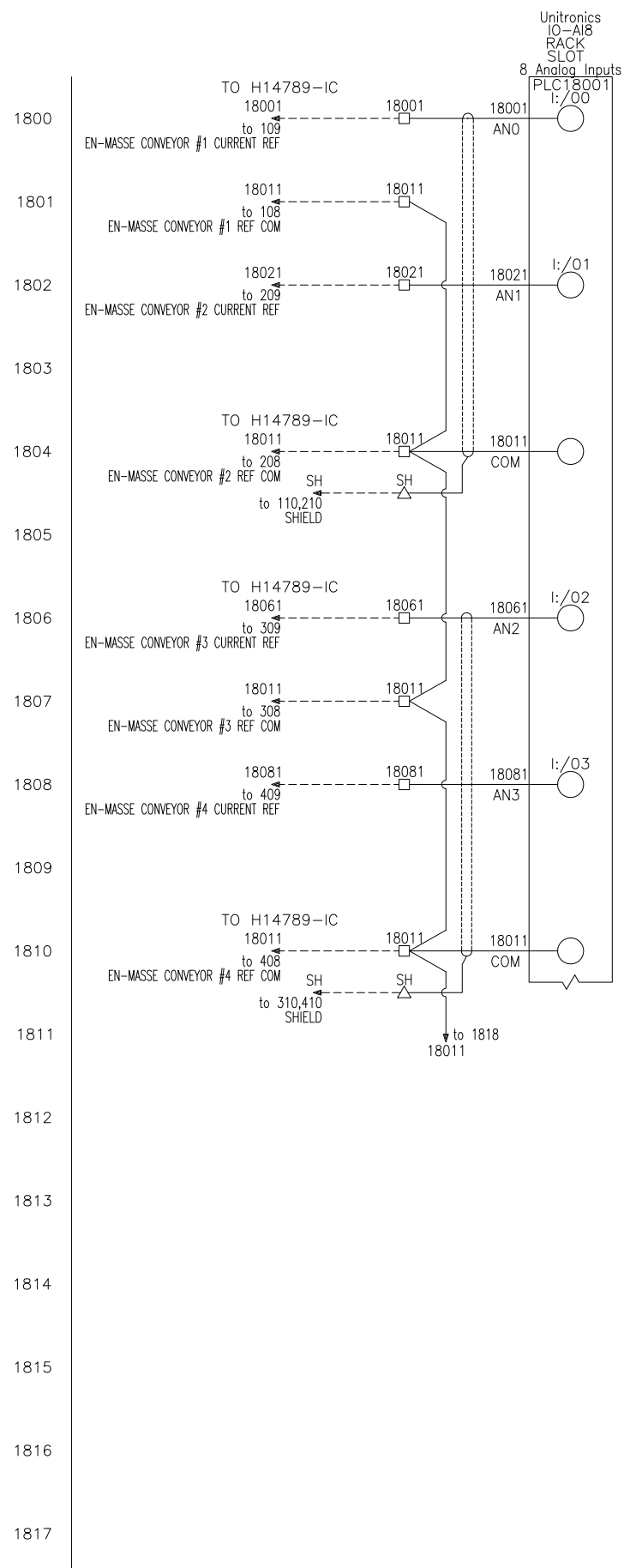
1718  
1719  
1720  
1721  
1722  
1723  
1724  
1725  
1726  
1727  
1728  
1729  
1730  
1731  
1732  
1733



DATE 12/3/14		JOB NO. H14789-IA & IC		DRAWN CR	
SCALE N/A				BOM = 1 DWG = 1	
TITLE PLC WIRING DIAGRAM NEMA 4/12 - UNITRONICS PLC BATCH CONTROL					
CUST. LAKE MICHIGAN TRANS-LAKE SHORTCUT, INC.					
SHEET 17 OF 23		DWG. NO. H14789IA-D00		REV. A	

CONTAINS CONFIDENTIAL BUSINESS INFORMATION

REV	DESCRIPTION	DATE	BY
A	CHANGED SUFFIXES, ADDED PLC INPUTS	1/6/14	CR

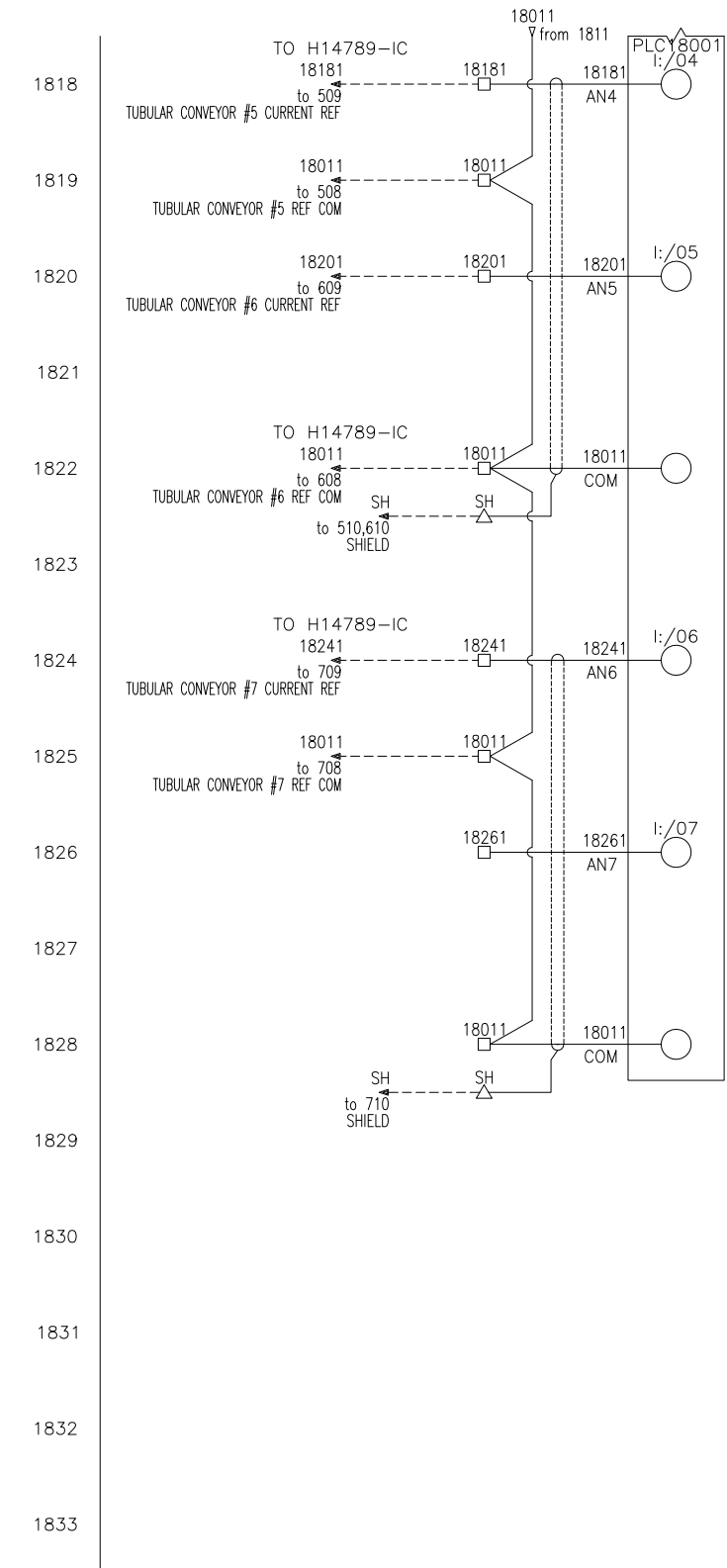


EN-MASSE CONVEYOR #1  
CURRENT REFERENCE  
4-20MA SIGNAL

EN-MASSE CONVEYOR #2  
CURRENT REFERENCE  
4-20MA SIGNAL

EN-MASSE CONVEYOR #3  
CURRENT REFERENCE  
4-20MA SIGNAL

EN-MASSE CONVEYOR #4  
CURRENT REFERENCE  
4-20MA SIGNAL



TUBULAR CONVEYOR #5  
CURRENT REFERENCE  
4-20MA SIGNAL

TUBULAR CONVEYOR #6  
CURRENT REFERENCE  
4-20MA SIGNAL

TUBULAR CONVEYOR #7  
CURRENT REFERENCE  
4-20MA SIGNAL

CONTAINS CONFIDENTIAL BUSINESS INFORMATION

[REDACTED]			
DATE	12/3/14	JOB NO.	H14789-IA & IC
SCALE	N/A	DRAWN	CR
		BOM	1
		DWG	1
<b>PLC WIRING DIAGRAM</b> NEMA 4/12 - UNITRONICS PLC BATCH CONTROL			
CUST. LAKE MICHIGAN TRANS-LAKE SHORTCUT, INC.			
SHEET	18	OF	23
DWG. NO.	H14789IA-D00		REV.
			A

CONTAINS CONFIDENTIAL BUSINESS INFORMATION

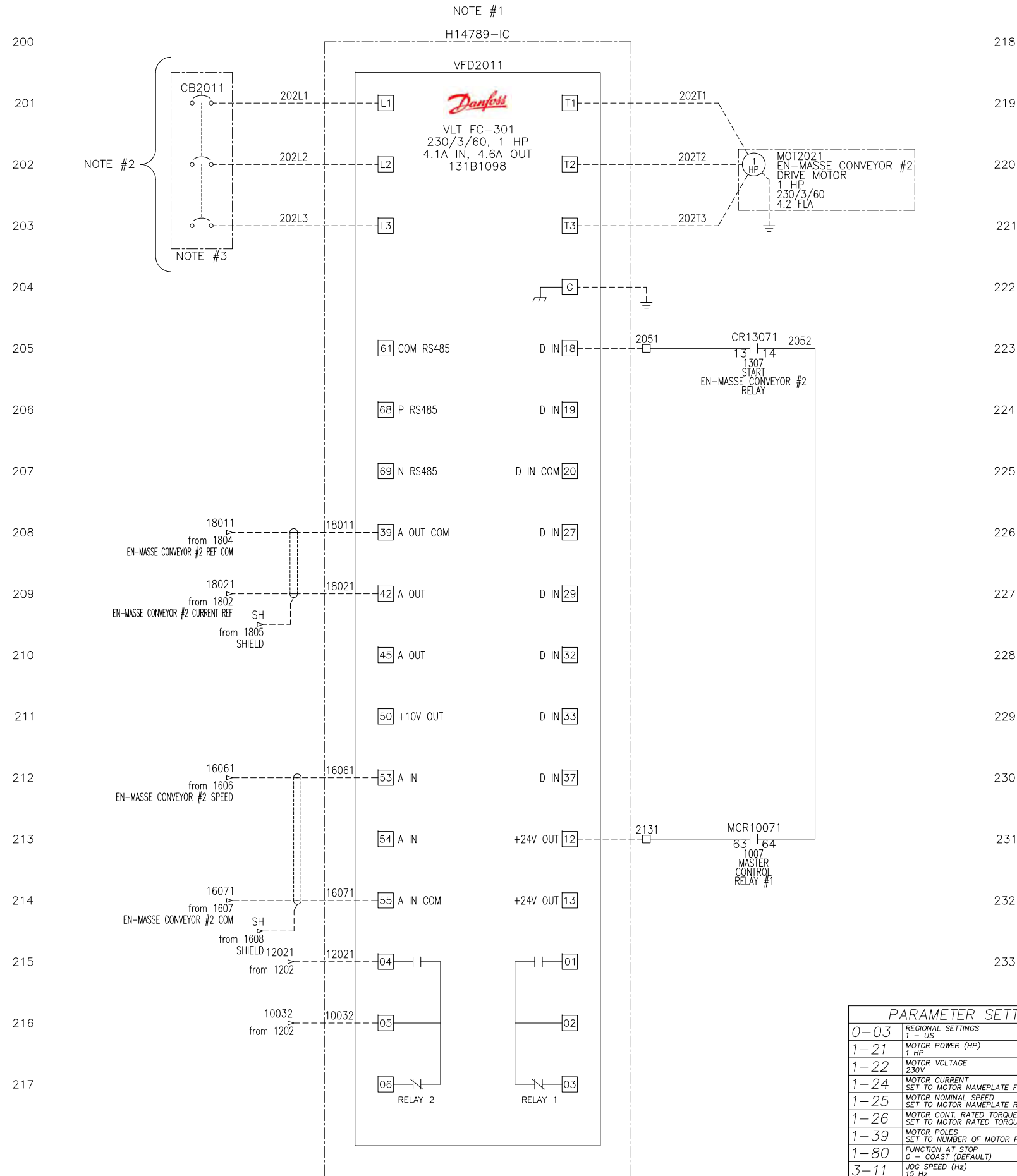
REV	DESCRIPTION	DATE	BY
A	CHANGED SUFFIXES, ADDED PLC INPUTS	1/6/14	CR

1900  
1901  
1902  
1903  
1904  
1905  
1906  
1907  
1908  
1909  
1910  
1911  
1912  
1913  
1914  
1915  
1916  
1917

1918  
1919  
1920  
1921  
1922  
1923  
1924  
1925  
1926  
1927  
1928  
1929  
1930  
1931  
1932  
1933

DATE	12/3/14	JOB NO.	H14789-1A & 1C
SCALE	N/A	DRAWN	CR
		BOM = 1	DWG = 1
TITLE <b>RESERVED</b> NEMA 4/12 - UNITRONICS PLC BATCH CONTROL			
CUST. LAKE MICHIGAN TRANS-LAKE SHORTCUT, INC.			
SHEET	19	OF	23
DWG. NO.	H14789IA-D00		REV. A

REV	DESCRIPTION	DATE	BY
A	CHANGED SUFFIXES, ADDED PLC INPUTS	1/6/14	CR



PARAMETER SETTINGS		PARAMETER SETTINGS	
0-03	REGIONAL SETTINGS 1 - US	4-12	MOTOR SPEED LOW LIMIT (Hz) 15 Hz
1-21	MOTOR POWER (HP) 1 HP	4-19	MAX OUTPUT FREQUENCY 60 Hz
1-22	MOTOR VOLTAGE 230V	5-10	TERMINAL 18 8 - START
1-24	MOTOR CURRENT SET TO MOTOR NAMEPLATE FLA	5-12	TERMINAL 27 0 - NO OPERATION
1-25	MOTOR NOMINAL SPEED SET TO MOTOR NAMEPLATE RPM	5-41	FUNCTION RELAY, RELAY 2 5 - RUNNING
1-26	MOTOR CONT. RATED TORQUE SET TO MOTOR RATED TORQUE IN Nm	6-50	TERMINAL 42 OUTPUT 133 - MOTOR CUR. 4-20mA
1-39	MOTOR POLES SET TO NUMBER OF MOTOR POLES	-	-
1-80	FUNCTION AT STOP 0 - COAST (DEFAULT)	-	-
3-11	JOG SPEED (Hz) 15 Hz	-	-
3-41	RAMP 1 RAMP UP TIME 5 SEC	-	-
3-42	RAMP 1 RAMP DOWN TIME 5 SEC	DIP S201	TERMINAL 53 ANALOG INPUT ON - 0/4-20mA

NOTE #1: VFD LOCATED OUTSIDE OF MAIN PANEL, H14789-IA  
 NOTE #2: VFD POWER FED FROM SOURCE OUTSIDE MAIN PANEL, H15789-IA  
 NOTE #3: FUSE OR CIRCUIT BREAKER REQUIRED BASED ON VFD MANUFACTURER RECOMMENDED OVER CURRENT PROTECTION

DATE	12/3/14	JOB NO.	H14789-IA & IC	DRAWN	CR
SCALE	N/A	BOM	1	DWG	1
TITLE					
<b>MOTOR WIRING DIAGRAM</b>					
NEMA 4/12 - UNITRONICS PLC BATCH CONTROL					
CUST. LAKE MICHIGAN TRANS-LAKE SHORTCUT, INC.					
SHEET	2	OF	23	DWG. NO.	H14789IA-D00
					REV.
					A



CONTAINS CONFIDENTIAL BUSINESS INFORMATION

REV	DESCRIPTION	DATE	BY
A	CHANGED SUFFIXES, ADDED PLC INPUTS	1/6/14	CR

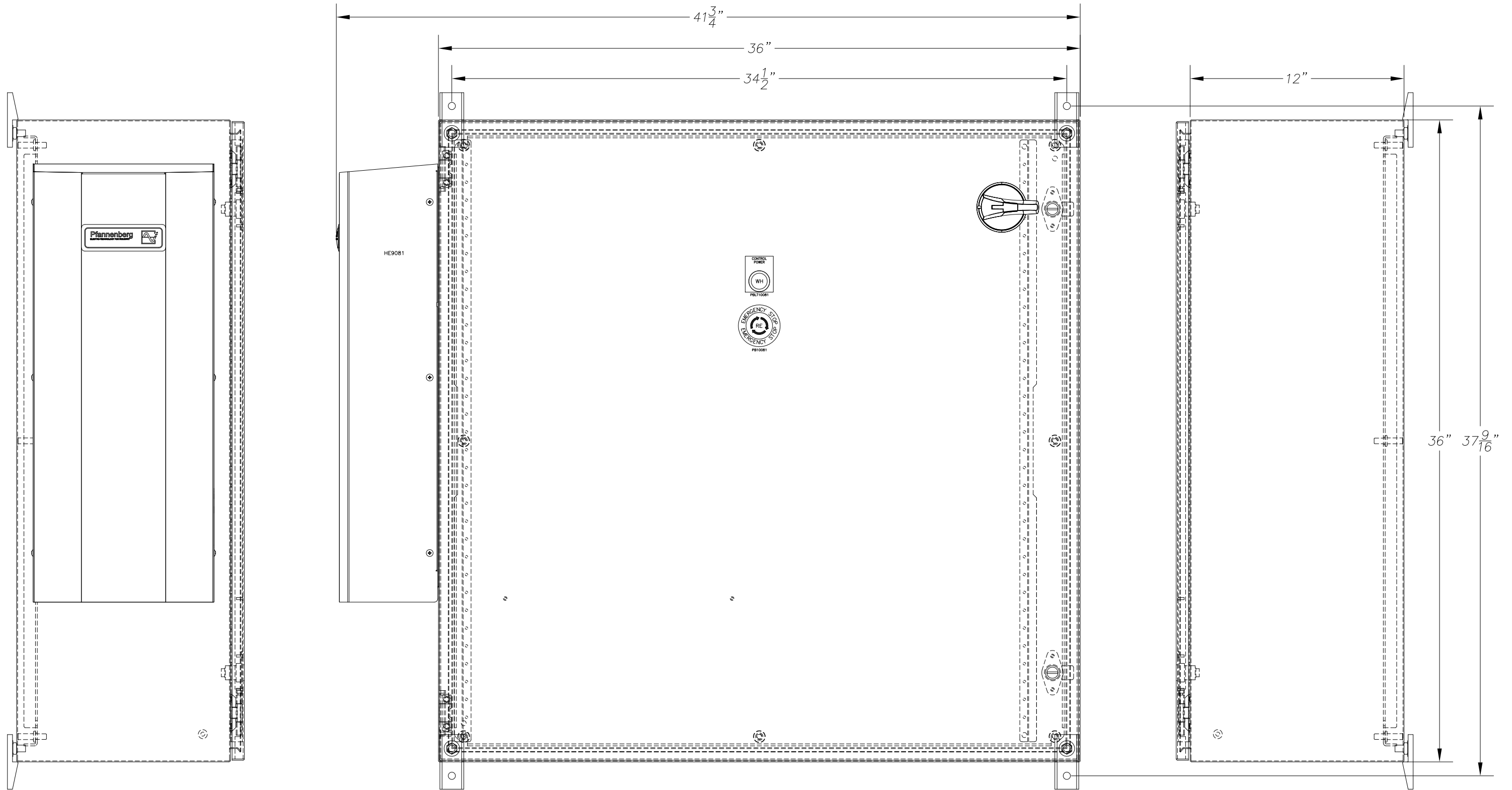
2000  
2001  
2002  
2003  
2004  
2005  
2006  
2007  
2008  
2009  
2010  
2011  
2012  
2013  
2014  
2015  
2016  
2017

2018  
2019  
2020  
2021  
2022  
2023  
2024  
2025  
2026  
2027  
2028  
2029  
2030  
2031  
2032  
2033

DATE	12/3/14	JOB NO.	H14789-1A & 1C
SCALE	N/A	DRAWN	CR
		BOM = 1	DWG = 1
TITLE <b>RESERVED</b> NEMA 4/12 - UNITRONICS PLC BATCH CONTROL			
CUST. LAKE MICHIGAN TRANS-LAKE SHORTCUT, INC.			
SHEET	20	OF	23
DWG. NO.	H14789IA-D00		REV. A



REV	DESCRIPTION	DATE	BY
A	CHANGED SUFFIXES, ADDED PLC INPUTS	1/6/14	CR



[REDACTED]			
DATE	12/3/14	JOB NO.	H14789-IA & IC
SCALE	N/A	DRAWN	CR
		BOM - 1	DWG - 1
TITLE			
<b>ENCLOSURE LAYOUT</b>			
NEMA 4/12 - UNITRONICS PLC BATCH CONTROL			
CUST. LAKE MICHIGAN TRANS-LAKE SHORTCUT, INC.			
SHEET	22	OF	23
DWG. NO.	H14789IA-D00		REV. A

REV	DESCRIPTION	DATE	BY
A	CHANGED SUFFIXES, ADDED PLC INPUTS	1/6/14	CR

ITEM	QTY	PART #	MANUFACTURE	DESCRIPTION	DESCRIPTOR
1	1	CSD363612	HOFFMAN	36"x36"x12" NEMA 4/12 ENCLOSURE	.
2	1	CP3636G	HOFFMAN	GALVANIZED SUB PAN	.
3	1	CMFK	HOFFMAN	FOOT KIT	.
4	4	131B1098	DANFOSS	4.6A 230V 1 HP FC-301 VFD (SHIPPED LOOSE)	VFD1011-4011
5	3	131H4553	DANFOSS	30.8A 230V 10 HP FC-301 VFD (SHIPPED LOOSE)	VFD5011-7011
6	1	R9C3030U	EATON	30A UL98 ROTARY DISCONNECT	DS9001
7	1	SF320SH5X5	EATON	320mm, 5x5mm SELECTOR HANDLE DISCONNECT SHAFT	DS9001
8	1	SHB0N4X	EATON	DISCONNECT SELECTOR HANDLE, SIZE 0	DS9001
9	1	FAZ-C6/2-NA	EATON	2 POLE 6A UL489 CIRCUIT BREAKER, C-CURVE	CB9011
10	1	B500MBT13XKF	MICRON	500VA CPT	XF9031
11	1	TPTC-1002	MICRON	6 TERM. FINGERSAFE COVERS	XF9031
12	1	FAZ-C7/1-NA-SP	EATON	1 POLE 7A UL489 CIRCUIT BREAKER, C-CURVE	CB9041
13	1	FAZ-C1/1-NA-SP	EATON	1 POLE 1A UL489 CIRCUIT BREAKER, C-CURVE	CB9081
14	1	12358110045	PFANNENBERG	PWS 3082 120VAC 850W COOLING CAPACITY AIR/WATER HEAT EXCHANGER	HE9081
15	1	FAZ-C6/1-NA-SP	EATON	1 POLE 6A UL489 CIRCUIT BREAKER, C-CURVE	CB10011
16	1	MD120-24A-1C	MICRON	24VDC 120W POWER SUPPLY	PS10011
17	1	FAZ-C5/1-NA-SP	EATON	1 POLE 5A UL489 CIRCUIT BREAKER, C-CURVE	CB10031
18	2	XTRE10B40TD	EATON	24VDC 4 N.O. RELAY, B FRAME	MCR10071,10081
19	2	XTCEXFAC40	EATON	4 N.O. FRONT MOUNT AUXILIARY CONTACT	MCR10071,10081
20	1	M22-PVT-K02	EATON	22mm RED EMERGENCY STOP PB W/ 2 N.C. CONTACTS	PB10081
21	1	CT-22ESTOP	CT	22mm LEGEND - EMERGENCY STOP	PB10081
22	1	M22-DL-W-K10-W	EATON	22mm 12-30VAC/DC WHITE ILLUM. FLUSH HEAD PB W/ 1 N.O. CONTACT	PBLT10081
23	1	CT-22CONTROL/POWER	CT	22mm LEGEND - CONTROL POWER	PBLT10081
24	10	38.61.0.024.0060	FINDER	24VDC SPDT TERMINAL RELAY	CR10111-13121
25	1	093.01	FINDER	SEPARATOR PLATE	CR10111-13121
26	1	EXL-CAB295	UNITRONICS	2.95M EXPANSION CABLE	.
27	1	EX-A2X	UNITRONICS	EXPANSION ADAPTER MODULE	PLC10151
28	2	IO-D16A3-RO16	UNITRONICS	16 DIGITAL IN, 16 RELAY OUT EXPANSION	PLC12001,14001
29	2	IO-A06X	UNITRONICS	6 CHANNEL ANALOG OUTPUT CARD	PLC16001,17001
30	1	IO-AI8	UNITRONICS	8 CHANNEL ANALOG INPUT CARD	PLC18001
31	7	1492-LD4DR	AB	DOUBLE STACK REVERSE BIAS DIODE SPRING TERMINAL	D13131-13251
32	1	1492-EBLD4	AB	END PLATE FOR DOUBLE STACK DIODE SPRING TERMINAL	.
33	185	XBPT25D22	EATON	5.2mm 4-WIRE SPRING CAGE TERMINAL	.
34	10	XBPT25D22PE	EATON	5.2mm 4-WIRE SPRING CAGE GROUND TERMINAL	.
35	3	XBACPT25D22	EATON	END PLATE FOR 5.2mm 4-WIRE SPRING CAGE TERMINAL	.
36	12	XBAES35C	EATON	SCREW ON END STOP	.
37	12'	F2X4LG6	PANDUIT	2"x4" LIGHT GRAY WIREWAY	.
38	12'	C2LG6	PANDUIT	2" LIGHT GRAY WIREWAY COVER	.
39	5.5'	F1X4LG6	PANDUIT	1"x4" LIGHT GRAY WIREWAY	.
40	5.5'	C1LG6	PANDUIT	1" LIGHT GRAY WIREWAY COVER	.
41	7'	0801733	PHOENIX	35mm DIN RAIL	.
42	1	GB5	ITE	5 POINT GROUND BAR	GB5
43					
44					
45					
46					
47					
48					
49					
50					
51					
52					
53					
54					
55					
56					

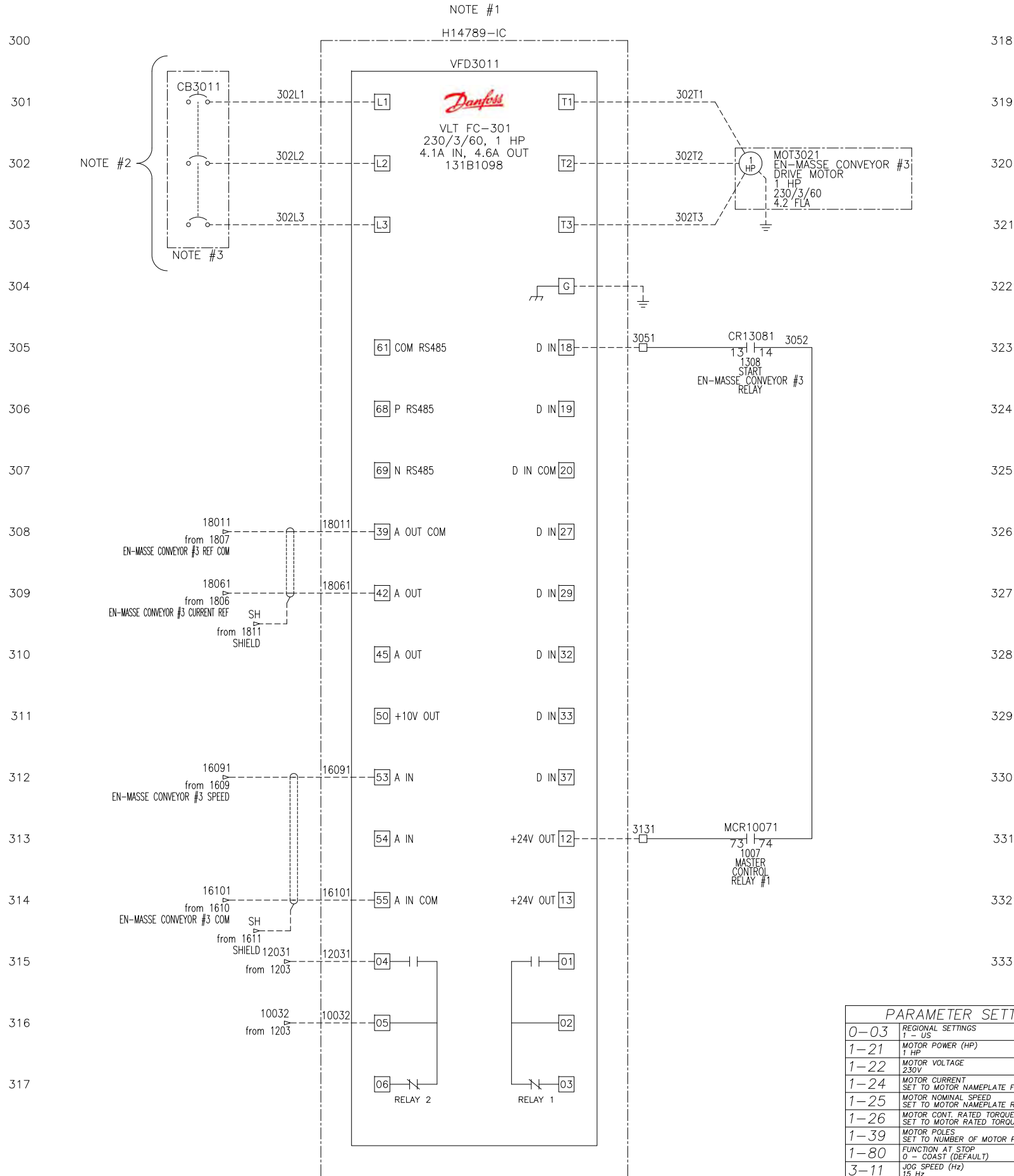
ITEM	QTY	PART #	MANUFACTURE	DESCRIPTION	DESCRIPTOR
57					
58					
59					
60					
61					
62					
63					
64					
65					
66					
67					
68					
69					
70					
71					
72					
73					
74					
75					
76					
77					
78					
79					
80					
81					
82					
83					
84					
85					
86					
87					
88					
89					
90					
91					
92					
93					
94					
95					
96					
97					
98					
99					
100					
101					
102					
103					
104					
105					

CONTAINS CONFIDENTIAL BUSINESS INFORMATION

[REDACTED]			
DATE	12/3/14	JOB NO.	H14789-IA & IC
SCALE	N/A	DRAWN	CR
TITLE		BOM - 1	DWG - 1
<b>BILL OF MATERIALS</b>			
NEMA 4/12 - UNITRONICS PLC BATCH CONTROL			
CUST. LAKE MICHIGAN TRANS-LAKE SHORTCUT, INC.			
SHEET	23	DWG. NO.	H14789IA-D00
			REV. A

CONTAINS CONFIDENTIAL BUSINESS INFORMATION

REV	DESCRIPTION	DATE	BY
A	CHANGED SUFFIXES, ADDED PLC INPUTS	1/6/14	CR



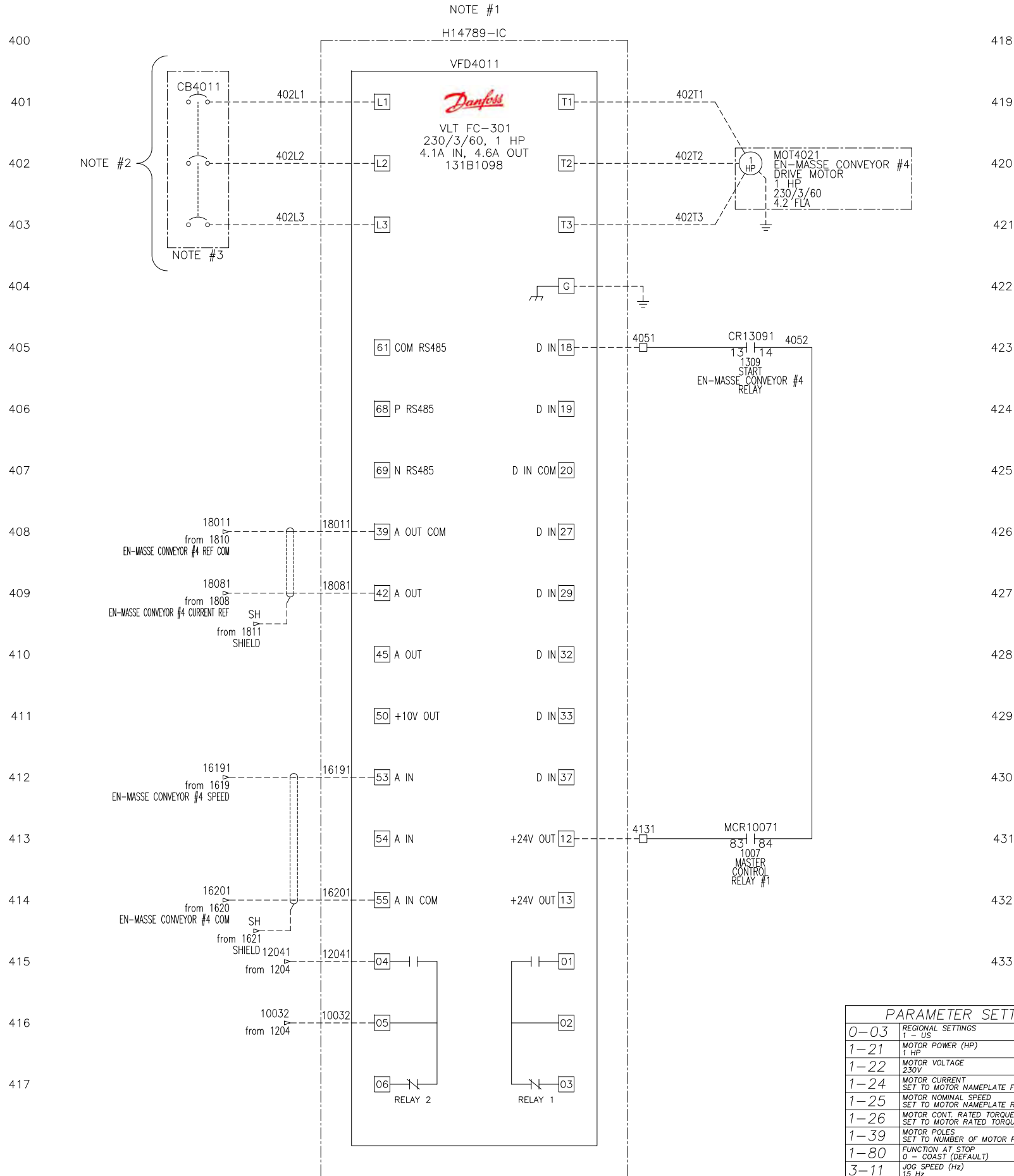
NOTE #1: VFD LOCATED OUTSIDE OF MAIN PANEL, H14789-IA  
 NOTE #2: VFD POWER FED FROM SOURCE OUTSIDE MAIN PANEL, H15789-IA  
 NOTE #3: FUSE OR CIRCUIT BREAKER REQUIRED BASED ON VFD MANUFACTURER RECOMMENDED OVER CURRENT PROTECTION

PARAMETER SETTINGS		PARAMETER SETTINGS	
0-03	REGIONAL SETTINGS 1 - US	4-12	MOTOR SPEED LOW LIMIT (Hz) 15 Hz
1-21	MOTOR POWER (HP) 1 HP	4-19	MAX OUTPUT FREQUENCY 60 Hz
1-22	MOTOR VOLTAGE 230V	5-10	TERMINAL 18 8 - START
1-24	MOTOR CURRENT SET TO MOTOR NAMEPLATE FLA	5-12	TERMINAL 27 0 - NO OPERATION
1-25	MOTOR NOMINAL SPEED SET TO MOTOR NAMEPLATE RPM	5-41	FUNCTION RELAY, RELAY 2 5 - RUNNING
1-26	MOTOR CONT. RATED TORQUE SET TO MOTOR RATED TORQUE IN Nm	6-50	TERMINAL 42 OUTPUT 133 - MOTOR CUR. 4-20mA
1-39	MOTOR POLES SET TO NUMBER OF MOTOR POLES	-	-
1-80	FUNCTION AT STOP 0 - COAST (DEFAULT)	-	-
3-11	JOG SPEED (Hz) 15 Hz	-	-
3-41	RAMP 1 RAMP UP TIME 5 SEC	-	-
3-42	RAMP 1 RAMP DOWN TIME 5 SEC	DIP S201	TERMINAL 53 ANALOG INPUT ON - 0/4-20mA

DATE	12/3/14	JOB NO.	H14789-IA & IC	DRAWN	CR
SCALE	N/A	BOM	1	DWG	1
<b>MOTOR WIRING DIAGRAM</b> NEMA 4/12 - UNITRONICS PLC BATCH CONTROL					
CUST. LAKE MICHIGAN TRANS-LAKE SHORTCUT, INC.					
SHEET	3	OF	23	DWG. NO.	H14789IA-D00
					REV.
					A

CONTAINS CONFIDENTIAL BUSINESS INFORMATION

REV	DESCRIPTION	DATE	BY
A	CHANGED SUFFIXES, ADDED PLC INPUTS	1/6/14	CR



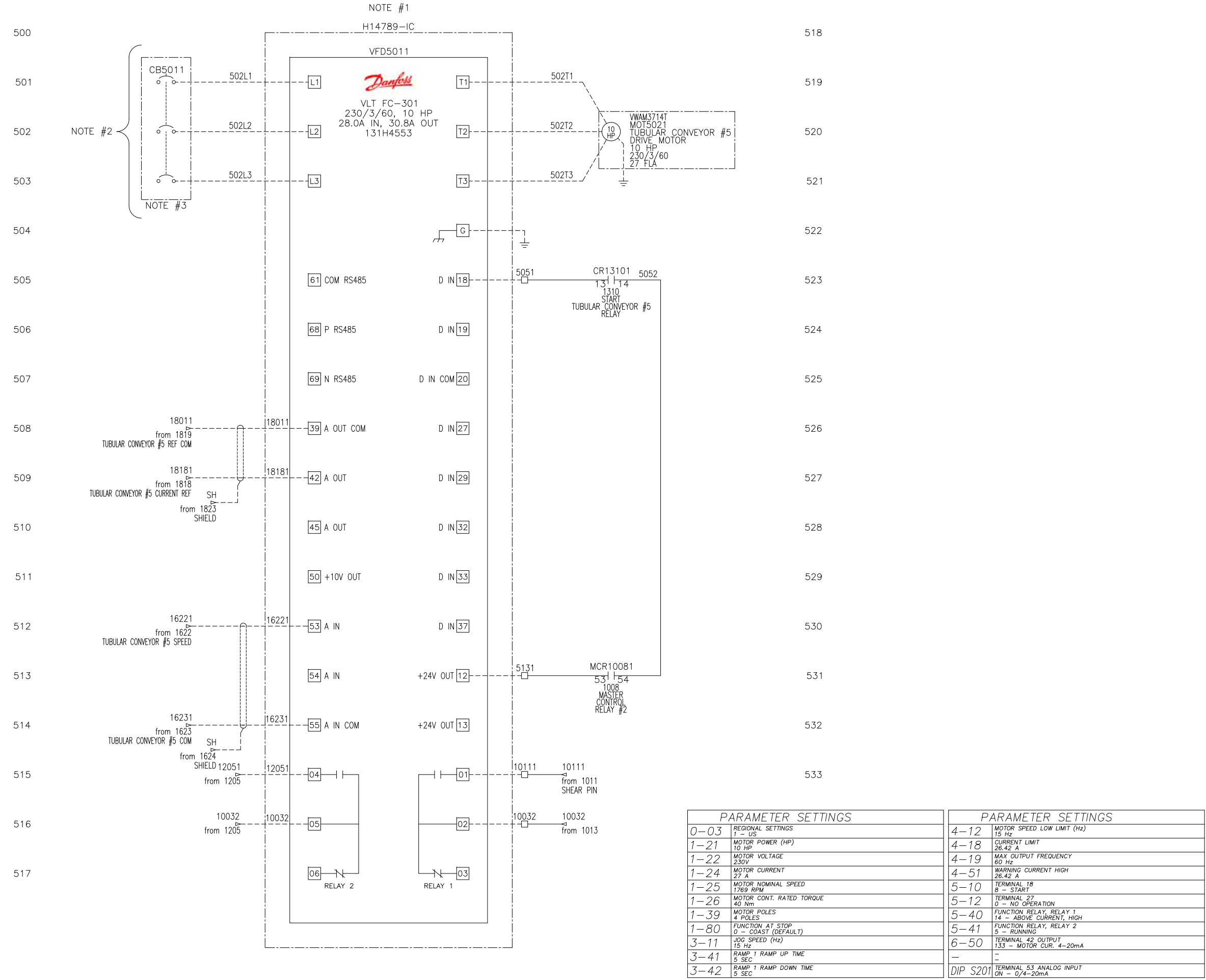
NOTE #1: VFD LOCATED OUTSIDE OF MAIN PANEL, H14789-IA  
 NOTE #2: VFD POWER FED FROM SOURCE OUTSIDE MAIN PANEL, H15789-IA  
 NOTE #3: FUSE OR CIRCUIT BREAKER REQUIRED BASED ON VFD MANUFACTURER RECOMMENDED OVER CURRENT PROTECTION

PARAMETER SETTINGS		PARAMETER SETTINGS	
0-03	REGIONAL SETTINGS 1 - US	4-12	MOTOR SPEED LOW LIMIT (Hz) 15 Hz
1-21	MOTOR POWER (HP) 1 HP	4-19	MAX OUTPUT FREQUENCY 60 Hz
1-22	MOTOR VOLTAGE 230V	5-10	TERMINAL 18 8 - START
1-24	MOTOR CURRENT SET TO MOTOR NAMEPLATE FLA	5-12	TERMINAL 27 0 - NO OPERATION
1-25	MOTOR NOMINAL SPEED SET TO MOTOR NAMEPLATE RPM	5-41	FUNCTION RELAY, RELAY 2 5 - RUNNING
1-26	MOTOR CONT. RATED TORQUE SET TO MOTOR RATED TORQUE IN Nm	6-50	TERMINAL 42 OUTPUT 133 - MOTOR CUR. 4-20mA
1-39	MOTOR POLES SET TO NUMBER OF MOTOR POLES	-	-
1-80	FUNCTION AT STOP 0 - COAST (DEFAULT)	-	-
3-11	JOG SPEED (Hz) 15 Hz	-	-
3-41	RAMP 1 RAMP UP TIME 5 SEC	-	-
3-42	RAMP 1 RAMP DOWN TIME 5 SEC	DIP S201	TERMINAL 53 ANALOG INPUT ON - 0/4-20mA

DATE	12/3/14	JOB NO.	H14789-IA & IC	DRAWN	CR
SCALE	N/A	BOM	1	DWG	1
<b>MOTOR WIRING DIAGRAM</b> NEMA 4/12 - UNITRONICS PLC BATCH CONTROL					
CUST. LAKE MICHIGAN TRANS-LAKE SHORTCUT, INC.					
SHEET	4	OF	23	DWG. NO.	H14789IA-D00
					REV.
					A

CONTAINS CONFIDENTIAL BUSINESS INFORMATION

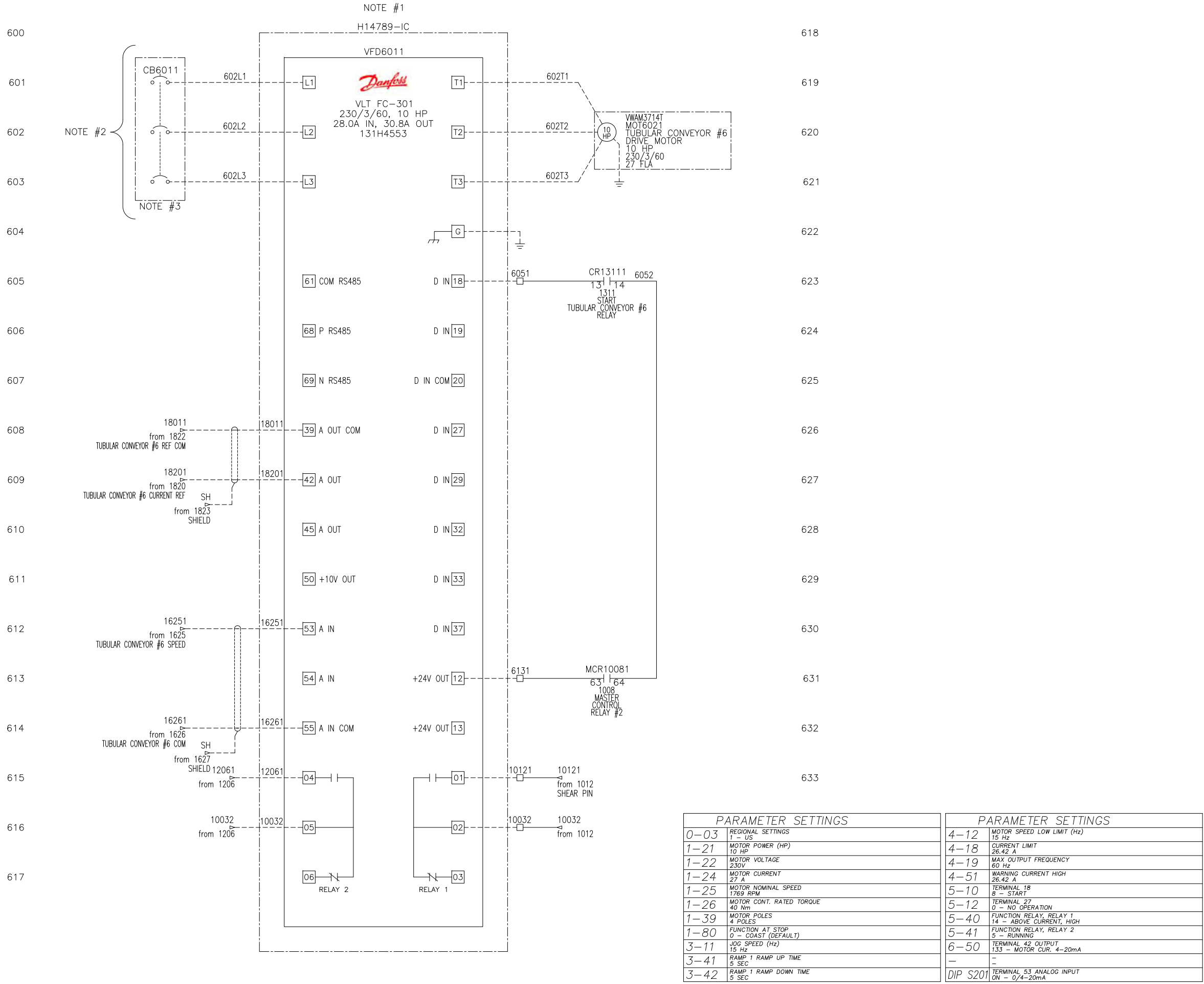
REV	DESCRIPTION	DATE	BY
A	CHANGED SUFFIXES, ADDED PLC INPUTS	1/6/14	CR



NOTE #1: VFD LOCATED OUTSIDE OF MAIN PANEL, H14789-IA  
 NOTE #2: VFD POWER FED FROM SOURCE OUTSIDE MAIN PANEL, H15789-IA  
 NOTE #3: FUSE OR CIRCUIT BREAKER REQUIRED BASED ON VFD MANUFACTURER RECOMMENDED OVER CURRENT PROTECTION

DATE	12/3/14	JOB NO.	H14789-IA & IC	DRAWN	CR
SCALE	N/A	BOM -	1	DWG -	1
<b>MOTOR WIRING DIAGRAM</b> NEMA 4/12 - UNITRONICS PLC BATCH CONTROL					
CUST. LAKE MICHIGAN TRANS-LAKE SHORTCUT, INC.					
SHEET	5	OF	23	DWG. NO.	H14789IA-D00
					REV.
					A

REV	DESCRIPTION	DATE	BY
A	CHANGED SUFFIXES, ADDED PLC INPUTS	1/6/14	CR



NOTE #1: VFD LOCATED OUTSIDE OF MAIN PANEL, H14789-IA  
 NOTE #2: VFD POWER FED FROM SOURCE OUTSIDE MAIN PANEL, H15789-IA  
 NOTE #3: FUSE OR CIRCUIT BREAKER REQUIRED BASED ON VFD MANUFACTURER RECOMMENDED OVER CURRENT PROTECTION

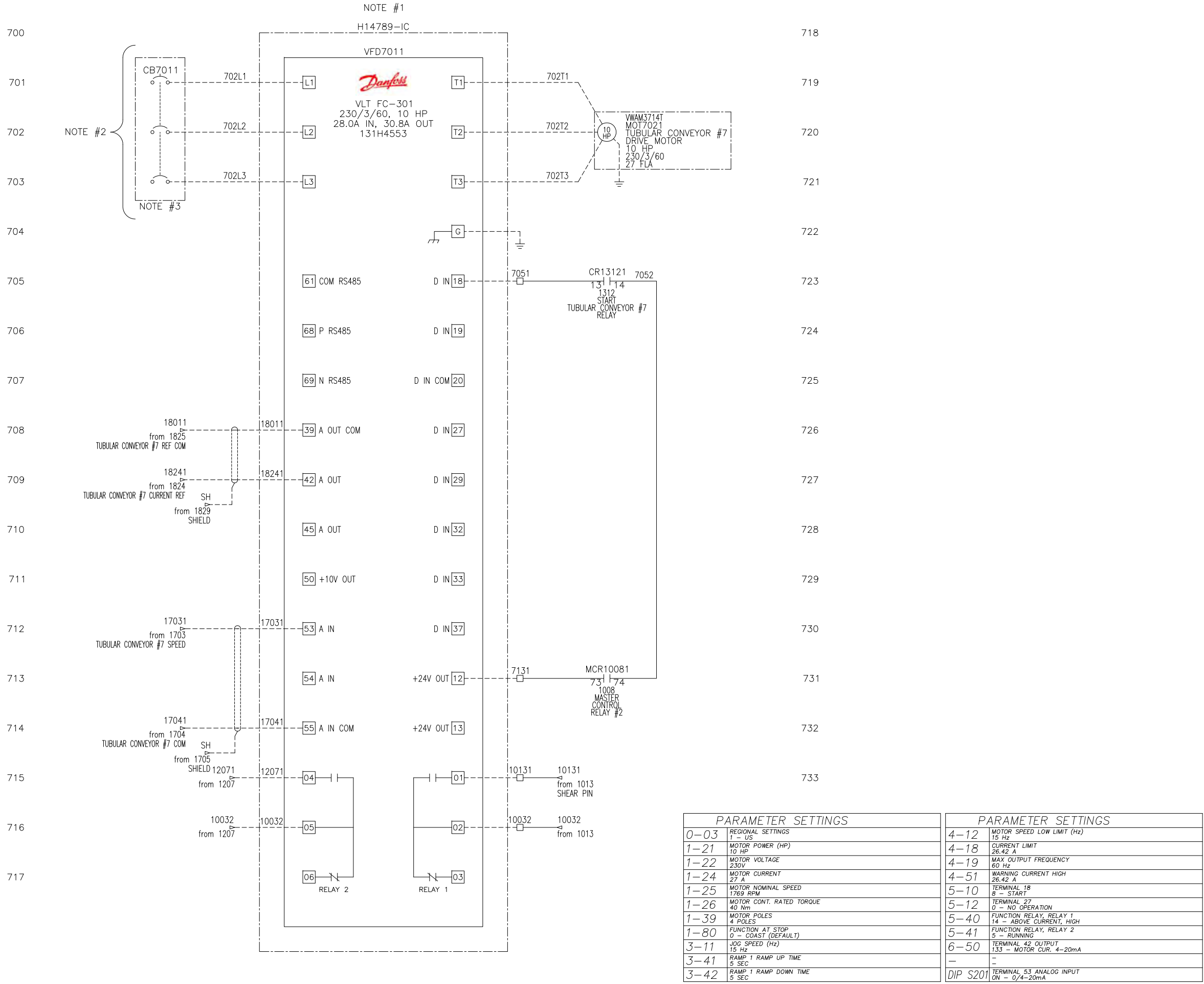
PARAMETER SETTINGS		PARAMETER SETTINGS	
0-03	REGIONAL SETTINGS 1 - US	4-12	MOTOR SPEED LOW LIMIT (Hz) 15 Hz
1-21	MOTOR POWER (HP) 10 HP	4-18	CURRENT LIMIT 26.42 A
1-22	MOTOR VOLTAGE 230V	4-19	MAX OUTPUT FREQUENCY 60 Hz
1-24	MOTOR CURRENT 27 A	4-51	WARNING CURRENT HIGH 26.42 A
1-25	MOTOR NOMINAL SPEED 1789 RPM	5-10	TERMINAL 18 8 - START
1-26	MOTOR CONT. RATED TORQUE 40 Nm	5-12	TERMINAL 27 0 - NO OPERATION
1-39	MOTOR POLES 4 POLES	5-40	FUNCTION RELAY, RELAY 1 14 - ABOVE CURRENT, HIGH
1-80	FUNCTION AT STOP 0 - COAST (DEFAULT)	5-41	FUNCTION RELAY, RELAY 2 5 - RUNNING
3-11	JOG SPEED (Hz) 15 Hz	6-50	TERMINAL 42 OUTPUT 133 - MOTOR CUR. 4-20mA
3-41	RAMP 1 RAMP UP TIME 5 SEC	-	-
3-42	RAMP 1 RAMP DOWN TIME 5 SEC	DIP S201	TERMINAL 53 ANALOG INPUT ON - 0/4-20mA

DATE	12/3/14	JOB NO.	H14789-IA & IC	DRAWN	CR
SCALE	N/A	BOM	1	DWG	1
<b>MOTOR WIRING DIAGRAM</b> NEMA 4/12 - UNITRONICS PLC BATCH CONTROL					
CUST. LAKE MICHIGAN TRANS-LAKE SHORTCUT, INC.					
SHEET	6	OF	23	DWG. NO.	H14789IA-D00
REV.	A				



CONTAINS CONFIDENTIAL BUSINESS INFORMATION

REV	DESCRIPTION	DATE	BY
A	CHANGED SUFFIXES, ADDED PLC INPUTS	1/6/14	CR



NOTE #1: VFD LOCATED OUTSIDE OF MAIN PANEL, H14789-IA  
 NOTE #2: VFD POWER FED FROM SOURCE OUTSIDE MAIN PANEL, H15789-IA  
 NOTE #3: FUSE OR CIRCUIT BREAKER REQUIRED BASED ON VFD MANUFACTURER RECOMMENDED OVER CURRENT PROTECTION

DATE	12/3/14	JOB NO.	H14789-IA & IC	DRAWN	CR
SCALE	N/A	BOM	1	DWG	1
<b>MOTOR WIRING DIAGRAM</b> NEMA 4/12 - UNITRONICS PLC BATCH CONTROL					
CUST. LAKE MICHIGAN TRANS-LAKE SHORTCUT, INC.					
SHEET	7	OF	23	DWG. NO.	H14789IA-D00
REV.	A				

CONTAINS CONFIDENTIAL BUSINESS INFORMATION

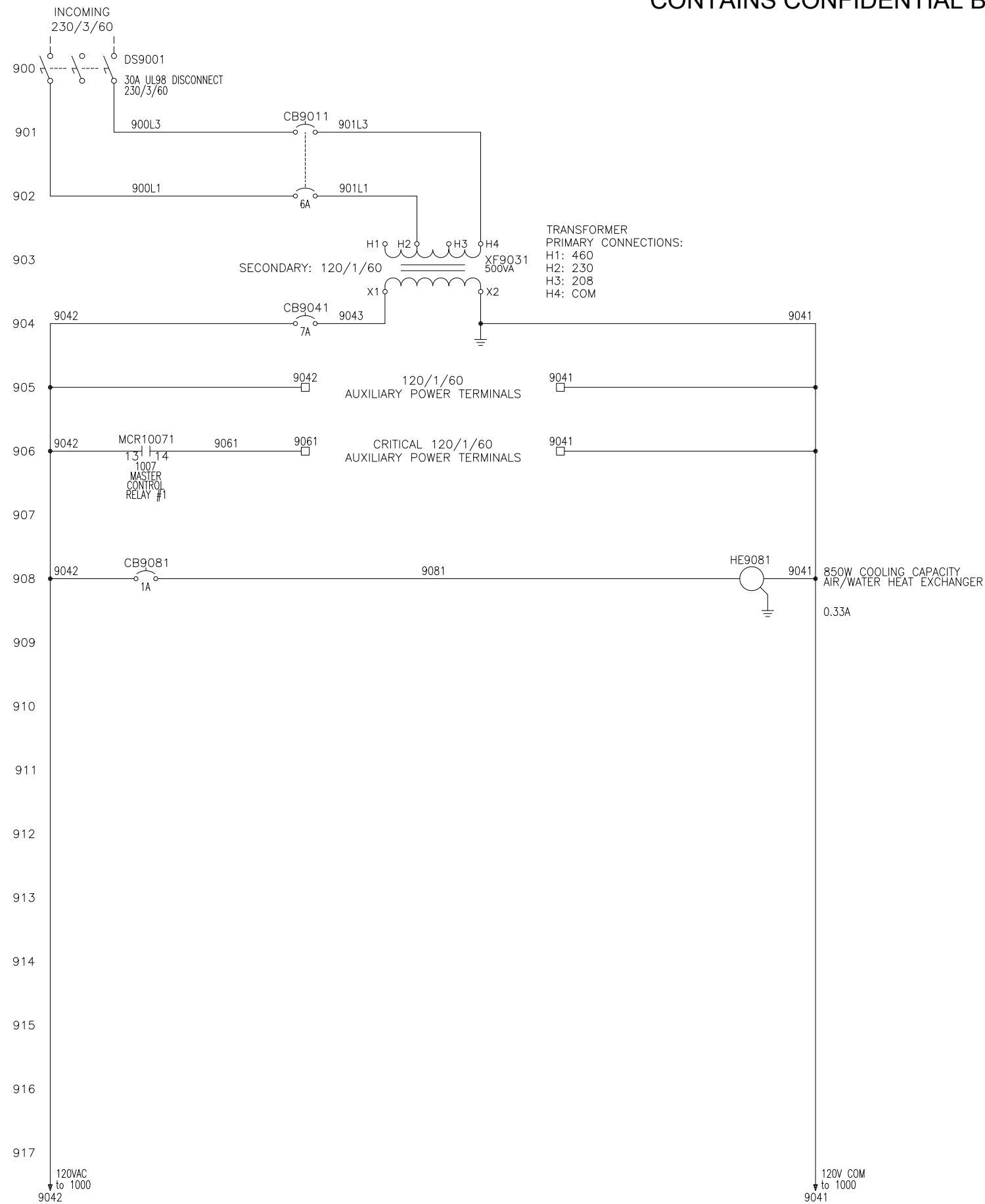
REV	DESCRIPTION	DATE	BY
A	CHANGED SUFFIXES, ADDED PLC INPUTS	1/6/14	CR

800	818
801	819
802	820
803	821
804	822
805	823
806	824
807	825
808	826
809	827
810	828
811	829
812	830
813	831
814	832
815	833
816	
817	

DATE	12/3/14	JOB NO.	H14789-1A & 1C
SCALE	N/A	DRAWN	CR
TITLE		BOM = 1	DWG = 1
<p><b>RESERVED</b>                      NEMA 4/12 - UNITRONICS PLC BATCH CONTROL</p>			
CUST. LAKE MICHIGAN TRANS-LAKE SHORTCUT, INC.			
SHEET	8 OF 23	DWG. NO.	H14789IA-D00
			REV. A

CONTAINS CONFIDENTIAL BUSINESS INFORMATION

REV	DESCRIPTION	DATE	BY
A	CHANGED SUFFIXES, ADDED PLC INPUTS	1/6/14	CR

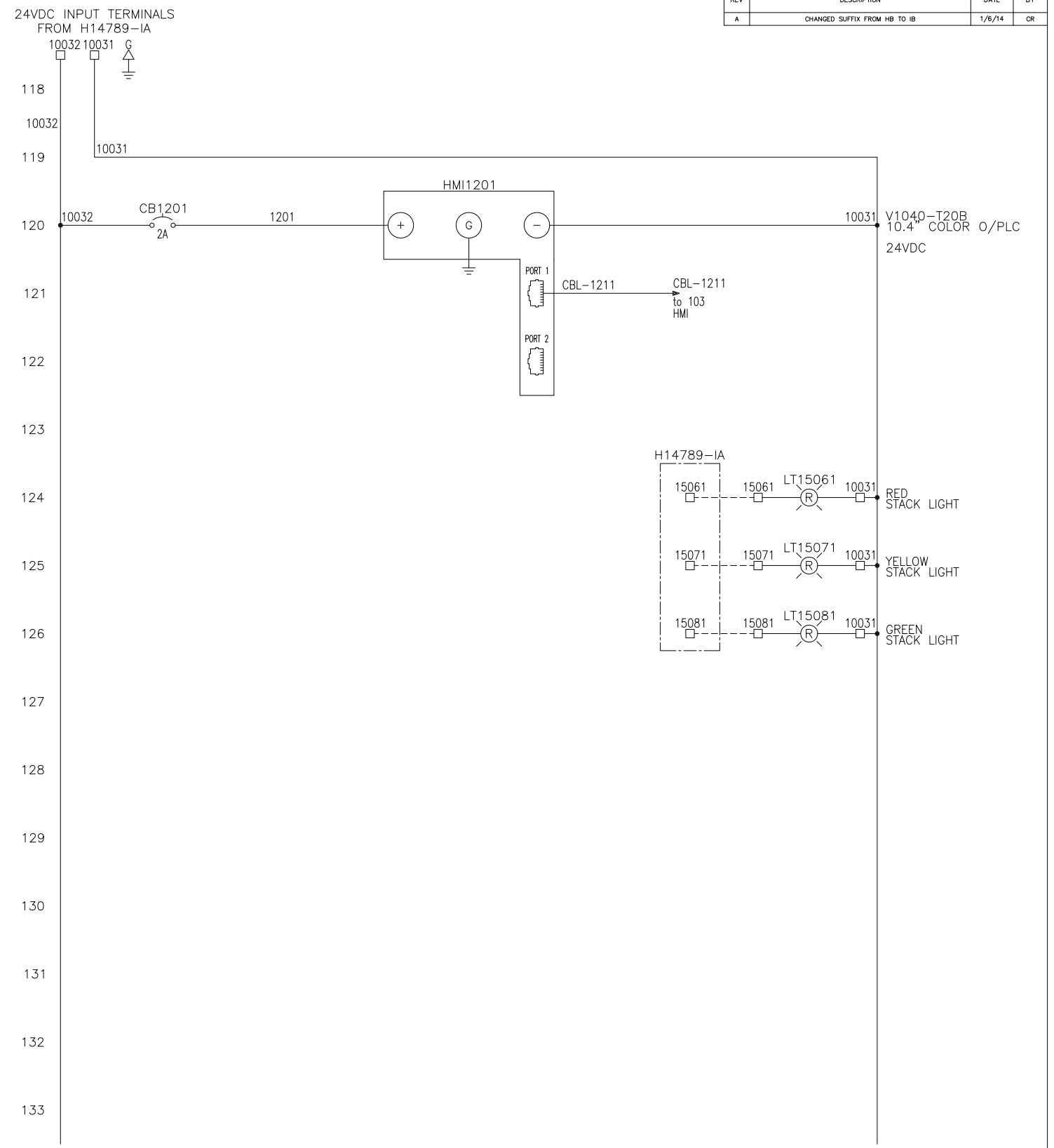
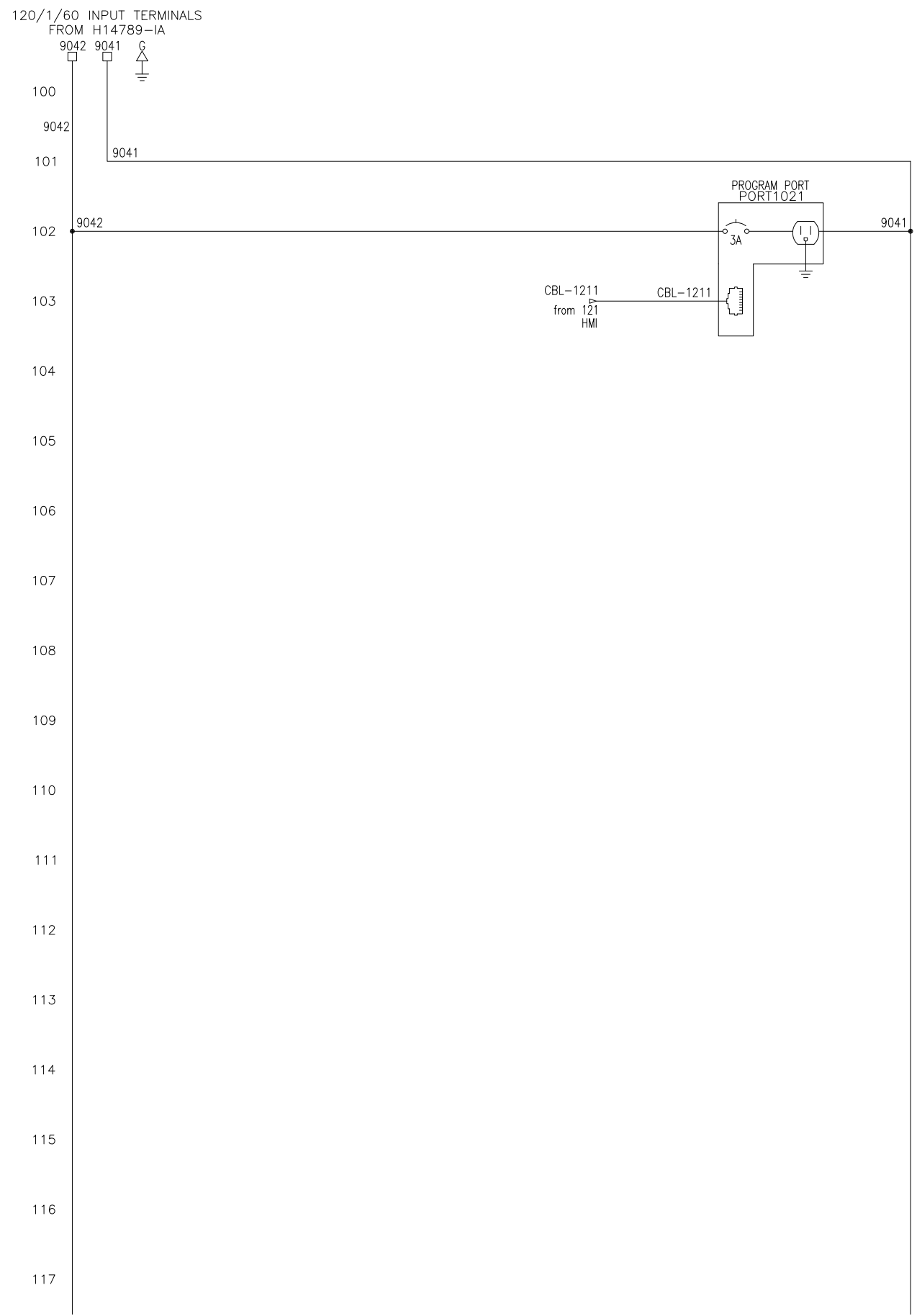


900  
901  
902  
903  
904  
905  
906  
907  
908  
909  
910  
911  
912  
913  
914  
915  
916  
917

918  
919  
920  
921  
922  
923  
924  
925  
926  
927  
928  
929  
930  
931  
932  
933

[REDACTED]			
DATE	12/3/14	JOB NO.	H14789-IA & IC
SCALE	N/A	DRAWN	CR
		BOM	1
		DWG	1
TITLE			
<b>120VAC WIRING DIAGRAM</b>			
NEMA 4/12 - UNITRONICS PLC BATCH CONTROL			
CUST. LAKE MICHIGAN TRANS-LAKE SHORTCUT, INC.			
SHEET	9 OF 23	DWG. NO.	H14789IA-D00
			REV. A

REV	DESCRIPTION	DATE	BY
A	CHANGED SUFFIX FROM HB TO IB	1/6/14	CR



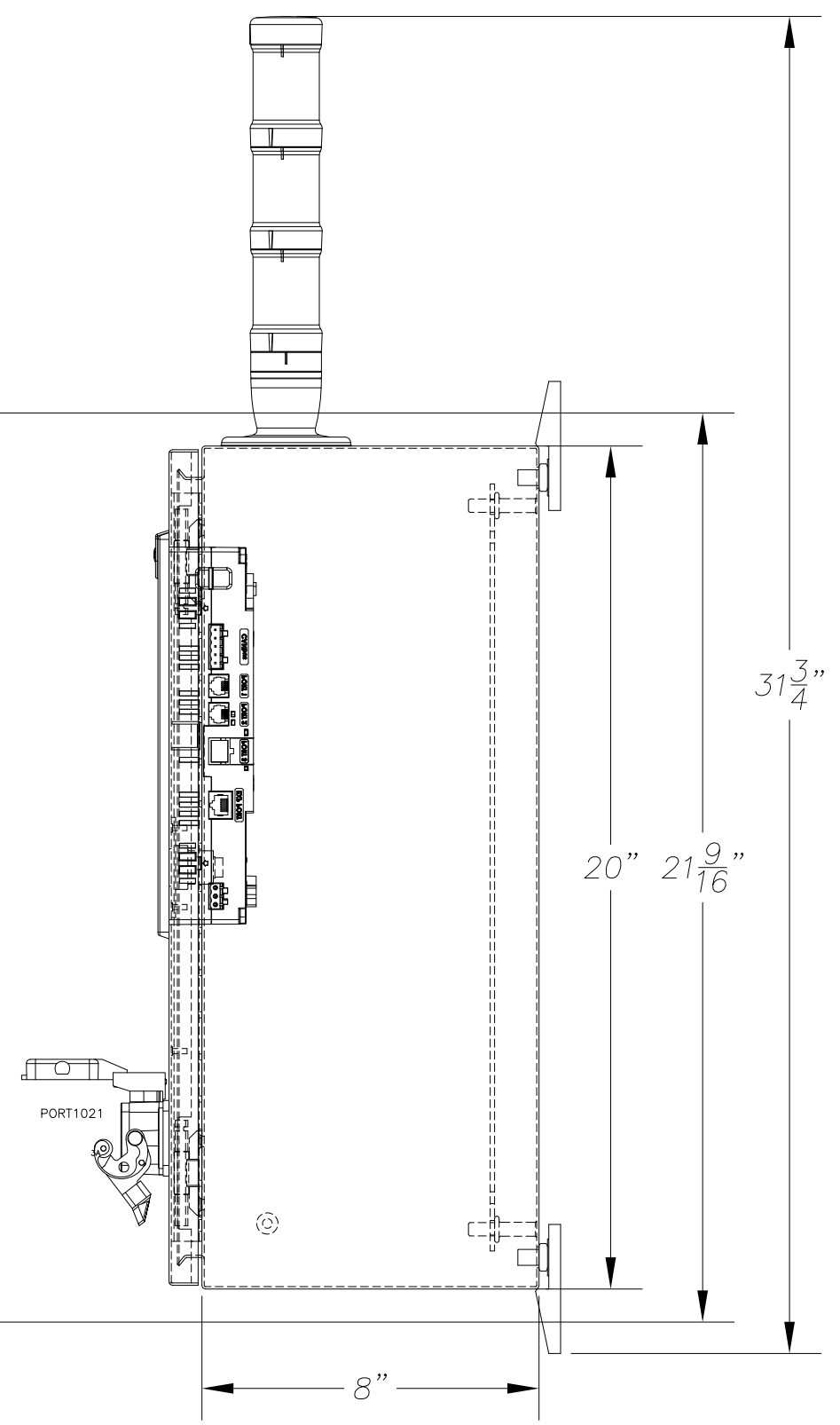
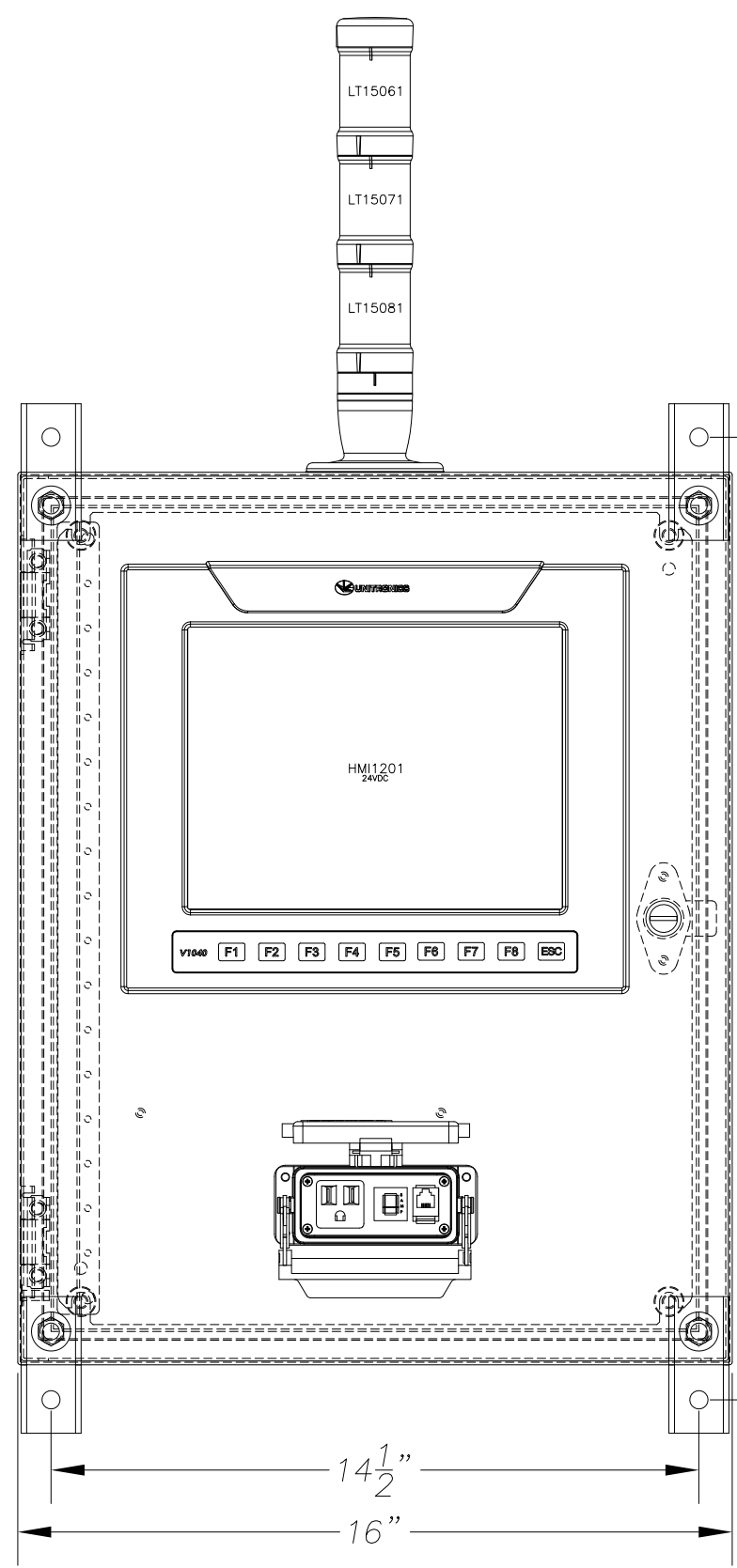
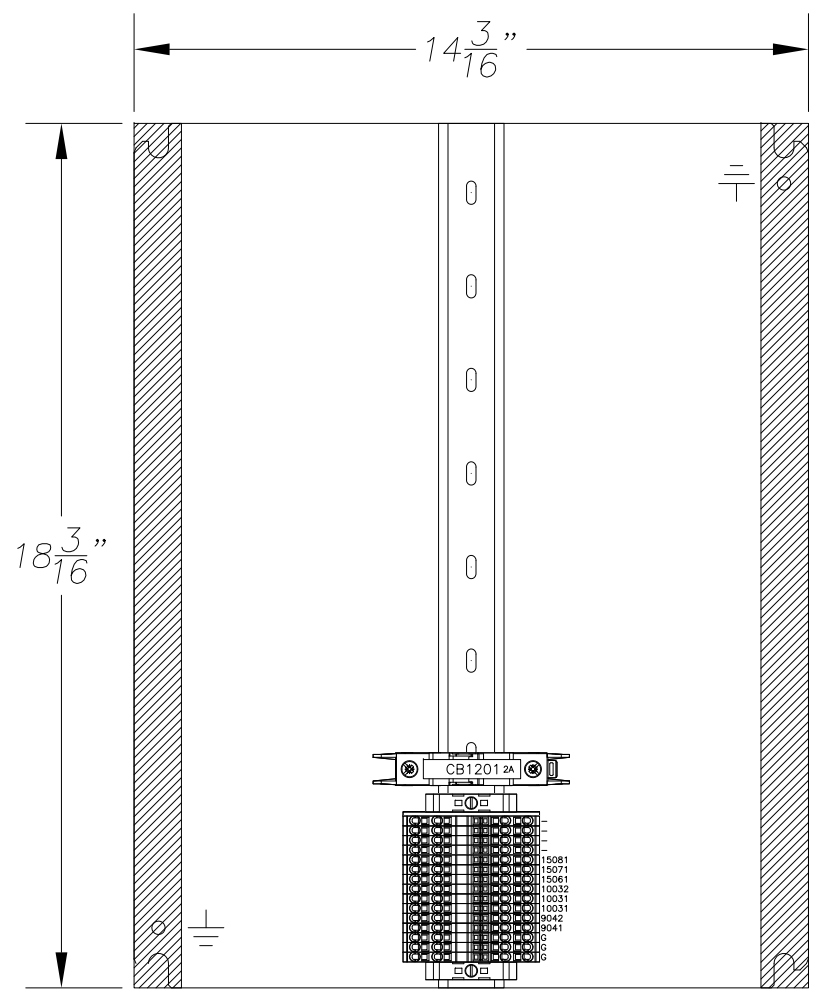
117

133

CONTAINS CONFIDENTIAL BUSINESS INFORMATION

[REDACTED]			
DATE	12/12/14	JOB NO.	H14789-IB
SCALE	N/A	DRAWN	CR
		BOM	1
		DWG	1
TITLE			
120VAC/24VDC WIRING DIAGRAM HMI OP-STATION			
CUST. LAKE MICHIGAN TRANS-LAKE SHORTCUT, INC.			
SHEET	1 OF 3	DWG. NO.	H14789IB-D00
			REV. A

REV	DESCRIPTION	DATE	BY
A	CHANGED SUFFIX FROM HB TO IB	1/6/14	CR



VOLTAGE:	120 VOLT
PHASE & FREQ.:	1PH., 60HZ
FULL LOAD CURRENT:	4 AMP
ENCLOSURE RATING:	TYPE 4
SCHEMATIC:	H14789IB-D00
MFG. BY:	JP Motors and Drives

[REDACTED]			
DATE	12/12/14	JOB NO.	H14789-IB
SCALE	N/A	DRAWN	CR
		BOM	= 1
		DWG	= 1
TITLE <b>PANEL LAYOUT</b> HMI OP-STATION			
CUST. LAKE MICHIGAN TRANS-LAKE SHORTCUT, INC.			
SHEET	2 OF 3	DWG. NO.	H14789IB-D00
			REV. A

CONTAINS CONFIDENTIAL BUSINESS INFORMATION

REV	DESCRIPTION	DATE	BY
A	CHANGED SUFFIX FROM HB TO IB	1/6/14	CR

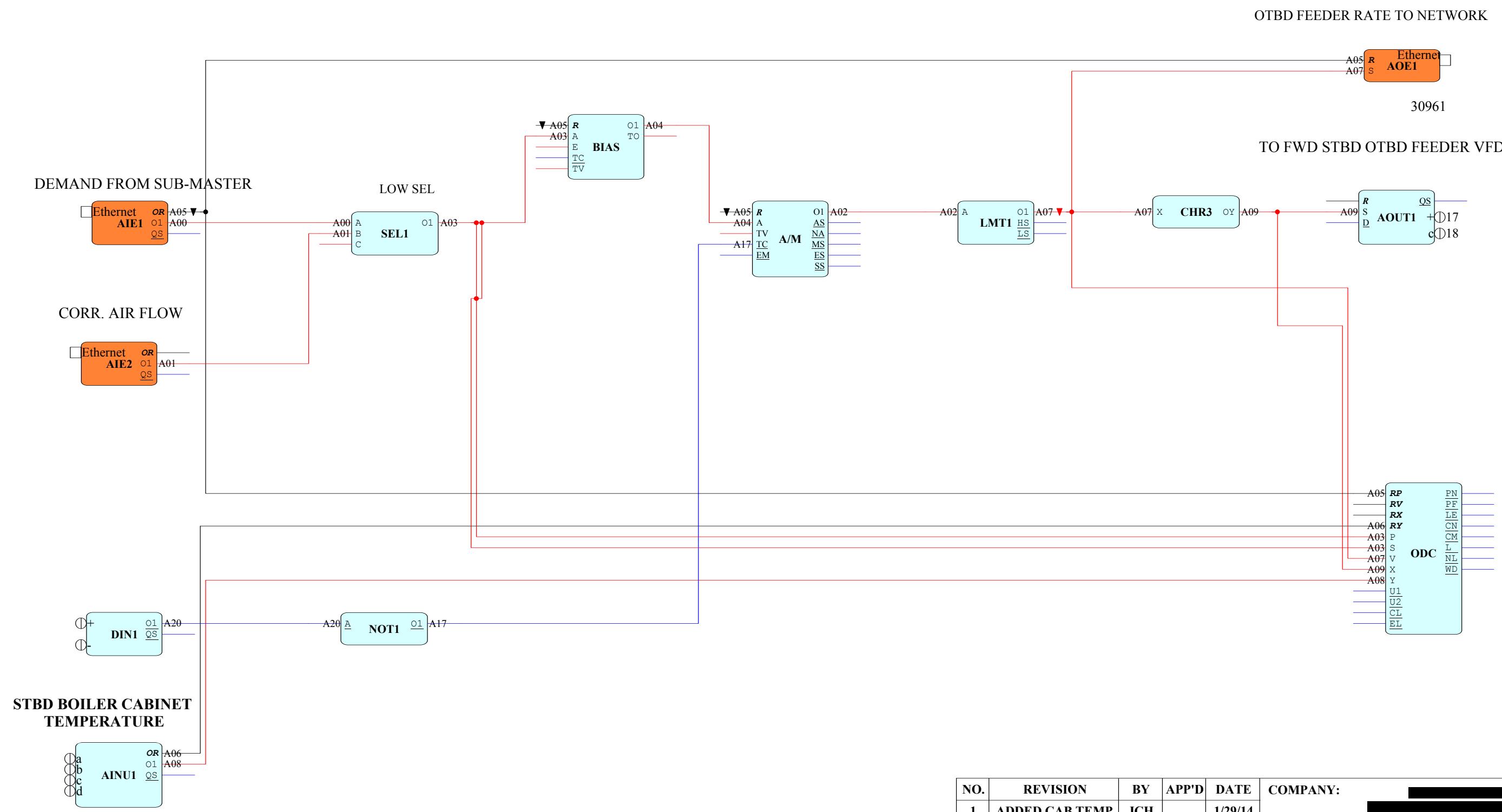
ITEM	QTY	PART #	MANUFACTURE	DESCRIPTION	DESCRIPTOR
1	1	CSD20168	HOFFMAN	20"x16"x8" NEMA 4/12 ENCLOSURE	.
2	1	CP2016G	HOFFMAN	GALVANIZED SUB PANEL	.
3	1	CMFK	HOFFMAN	FOOT KIT	.
4	1	DPI-RJ11-R16	MENCOM	PROG. PORT, SIMPLEX OUTLET, RJ12-F/F, 3A CB	PORT1021
5	1	FAZ-C2/1-NA-SP	EATON	1 POLE 2A UL489 CIRCUIT BREAKER, C-CURVE	CB1201
6	1	V1040-T20B	UNITRONICS	V1040 O/PLC 10.4" COLOR TOUCH SCREEN	HMI1201
7	1	2GB MICROSD	TRANSCEND	2GB MICROSD CARD	HMI1201
8	1	SL4-PIB-EMH	EATON	STACK LIGHT BASE	LT15061-15081
9	1	SL4-L24-R	EATON	24VDC RED LED STACK LIGHT MODULE	LT15061
10	1	SL4-L24-Y	EATON	24VDC YELLOW LED STACK LIGHT MODULE	LT15071
11	1	SL4-L24-G	EATON	24VDC GREEN LED STACK LIGHT MODULE	LT15081
12	12	XBPT25D22	EATON	5.2mm 4-WIRE SPRING CAGE TERMINAL	.
13	3	XBPT25D22PE	EATON	5.2mm 4-WIRE SPRING CAGE GROUND TERMINAL	.
14	1	XBACPT25D22	EATON	END PLATE FOR 5.2mm 4-WIRE SPRING CAGE TERMINAL	.
15	2	XBAES35C	EATON	SCREW ON END STOP	.
16	3'	F.75X1.5LG6	PANDUIT	0.75"x1.5" LIGHT GRAY WIREWAY	.
17	3'	C.75LG6	PANDUIT	0.75" LIGHT GRAY WIREWAY COVER	.
18	1.5'	0801733	PHOENIX	35mm DIN RAIL	.
19					
20					
21					
22					
23					
24					
25					
26					
27					
28					
29					
30					
31					
32					
33					
34					
35					
36					
37					
38					
39					
40					
41					
42					
43					
44					
45					
46					
47					
48					
49					
50					
51					
52					
53					
54					
55					
56					

ITEM	QTY	PART #	MANUFACTURE	DESCRIPTION	DESCRIPTOR
57					
58					
59					
60					
61					
62					
63					
64					
65					
66					
67					
68					
69					
70					
71					
72					
73					
74					
75					
76					
77					
78					
79					
80					
81					
82					
83					
84					
85					
86					
87					
88					
89					
90					
91					
92					
93					
94					
95					
96					
97					
98					
99					
100					
101					
102					
103					
104					
105					

CONTAINS CONFIDENTIAL BUSINESS INFORMATION

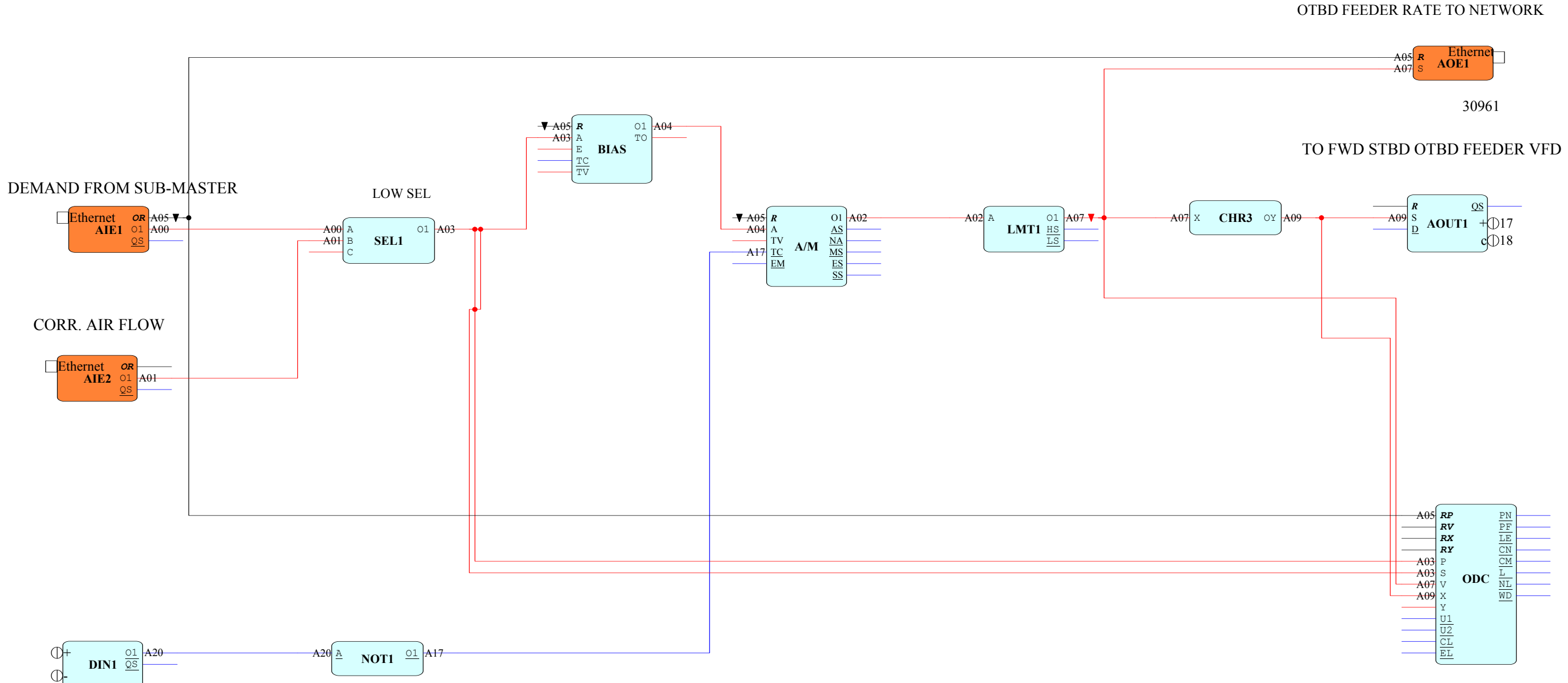
[REDACTED]			
DATE	12/12/14	JOB NO.	H14789-IB
SCALE	N/A	DRAWN	CR
		BOM =	1
		DWG =	1
TITLE			
<b>BILL OF MATERIALS</b>			
HMI OP-STATION			
CUST. LAKE MICHIGAN TRANS-LAKE SHORTCUT, INC.			
SHEET	3	OF	3
DWG. NO.	H14789IB-D00		REV.
			A

CONTAINS CONFIDENTIAL BUSINESS INFORMATION



NO.	REVISION	BY	APP'D	DATE	COMPANY:		
1	ADDED CAB TEMP.	JCH		1/29/14	[REDACTED]		
					CUSTOMER:		
					DRAWN JCHLLC	DATE 1/15/14	TITLE: SS BADGER FWD STBD OUTBOARD COAL FEEDER
					APP'D	DATE	
							DRWG NO.:

**CONTAINS CONFIDENTIAL BUSINESS INFORMATION**

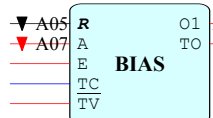


NO.	REVISION	BY	APP'D	DATE	COMPANY: [REDACTED]		
					CUSTOMER:		
					DRAWN	DATE	TITLE: SS BADGER
					JCHLLC	1/15/14	FWD STBD OUTBOARD
					APP'D	DATE	COAL FEEDER
					DRWG NO.:		

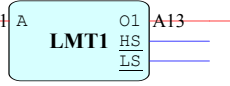
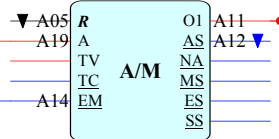
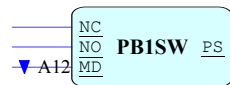


CONTAINS CONFIDENTIAL BUSINESS INFORMATION

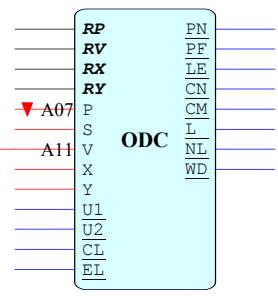
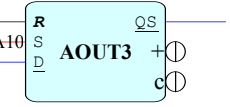
FWD STBD OTBD FEEDER DEMAND OUT



EMERGENCY MANUAL OVERRIDE

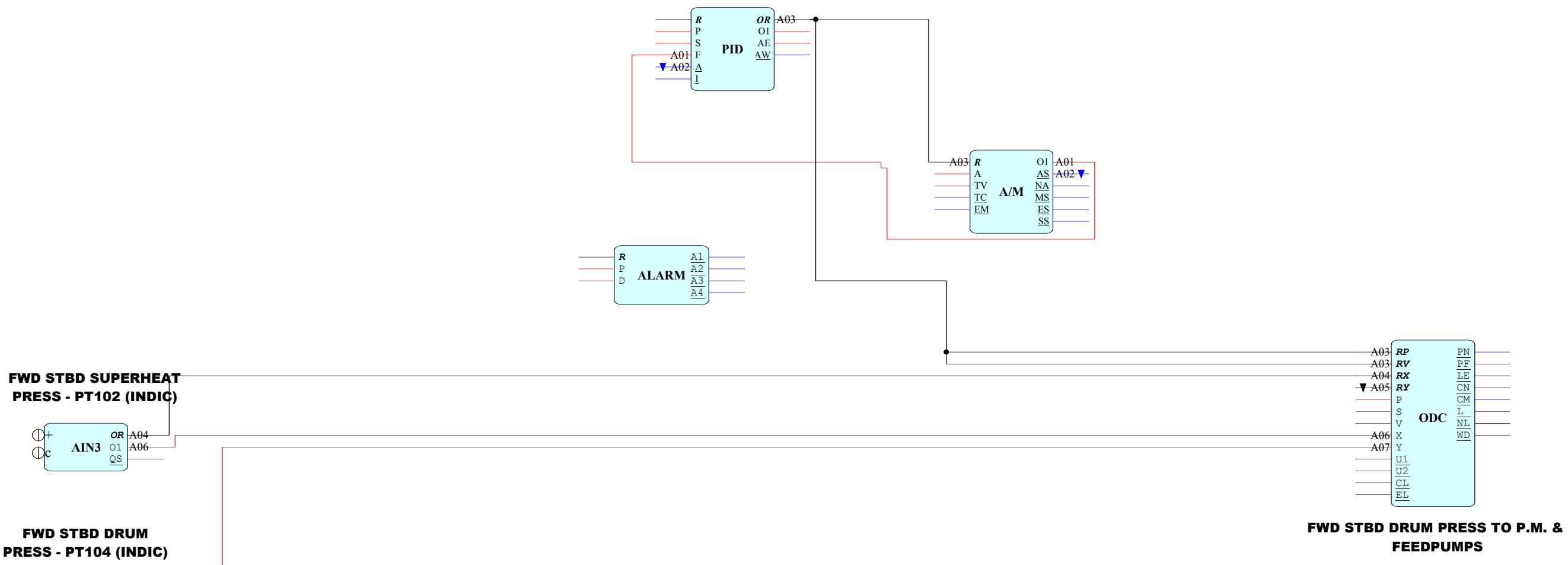


FWD STBD OTBD ROTOR



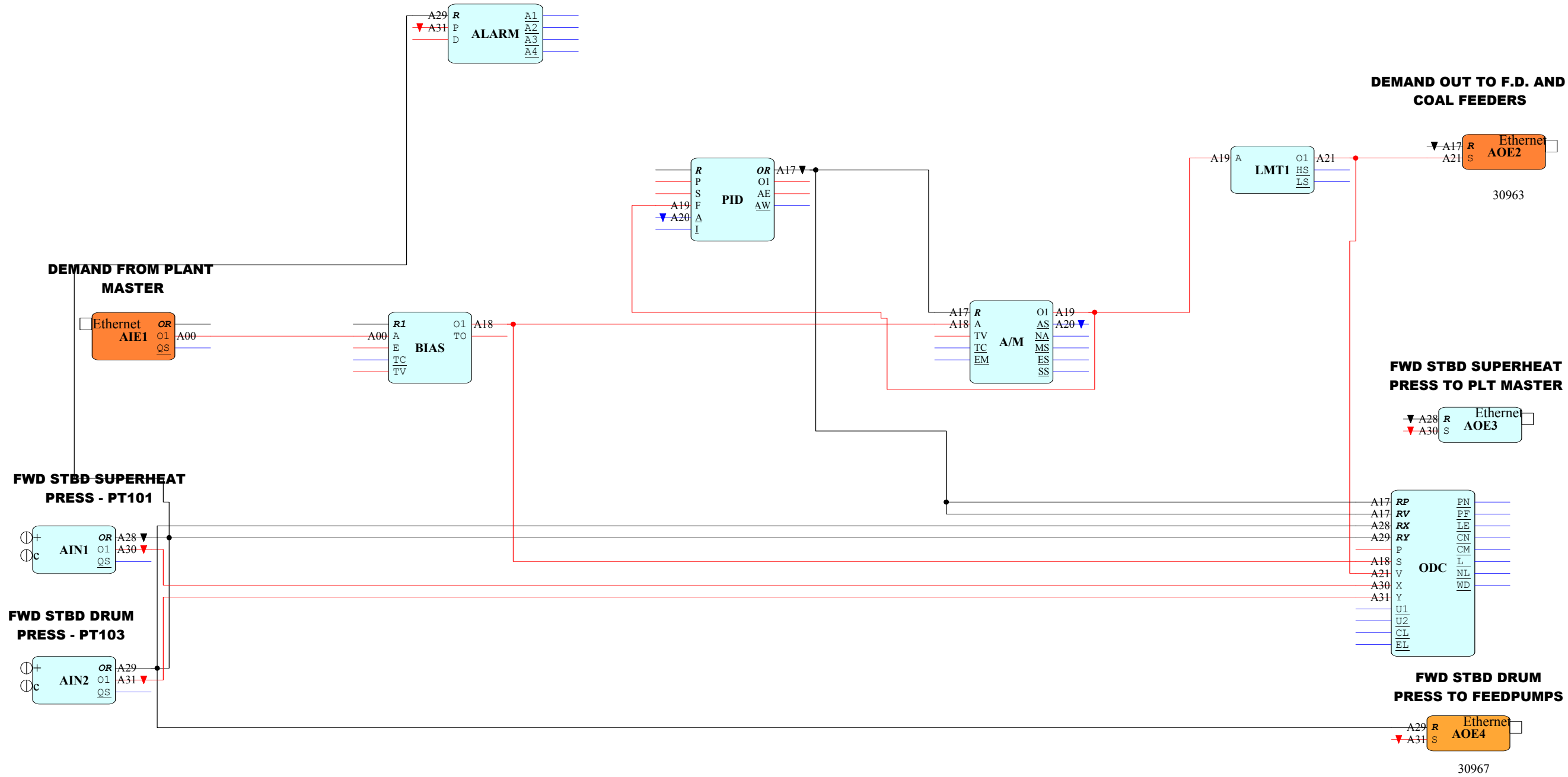
NO.	REVISION	BY	APP'D	DATE	COMPANY:		
					CUSTOMER:		
					DRAWN	DATE	TITLE:
					JCHLLC	1/15/14	SS BADGER FWD STBD OUTBOARD ROTOR LOOP
					APP'D	DATE	
							DRWG NO.:

CONTAINS CONFIDENTIAL BUSINESS INFORMATION



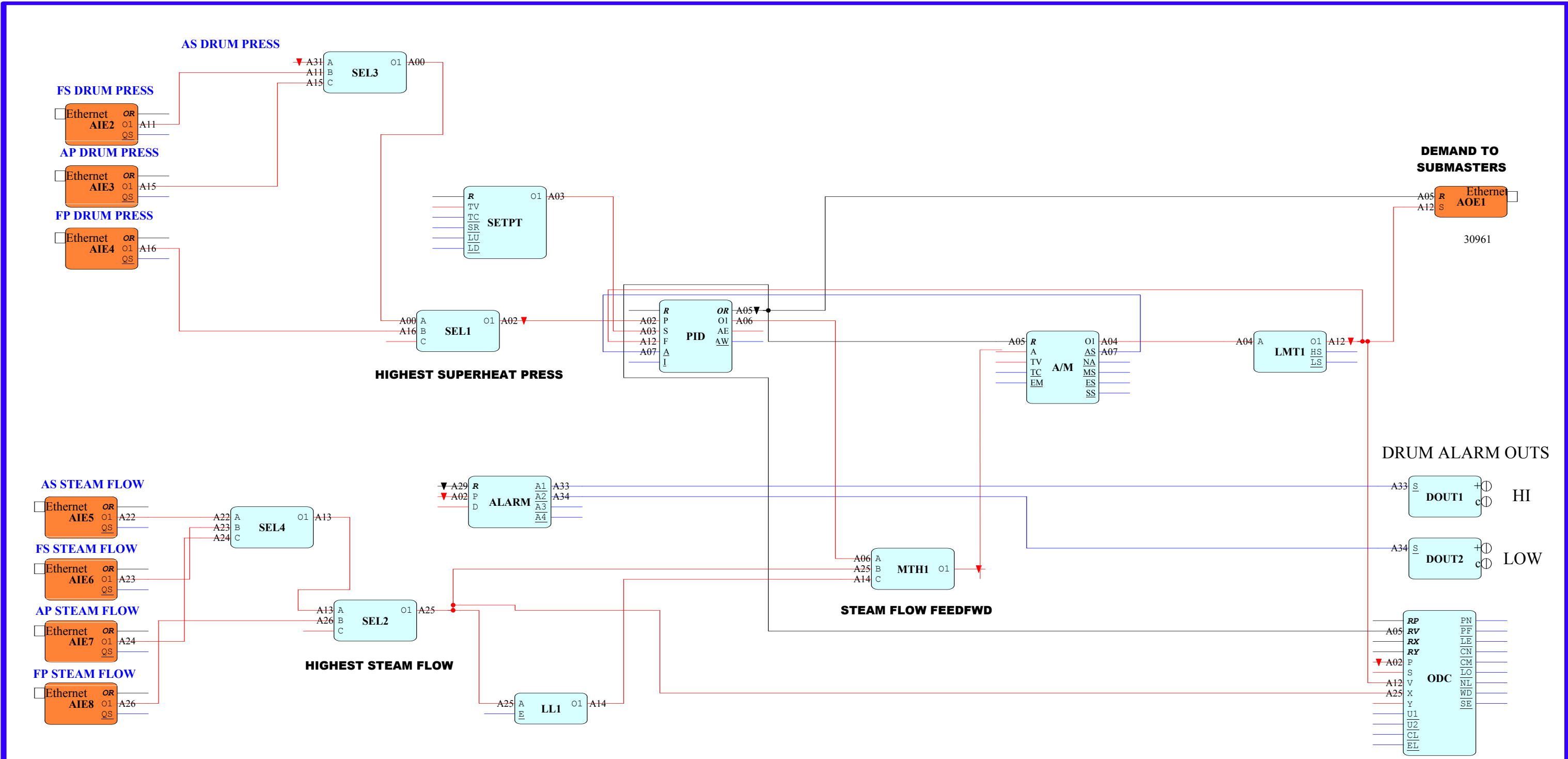
NO.	REVISION	BY	APP'D	DATE	COMPANY:		
					CUSTOMER:		
					DRAWN	DATE	TITLE:
					JCHLLC	1/24/14	SS BADGER FWD STBD BLR STEAM PRESS LOOP
					APP'D	DATE	
							DRWG NO.:

CONTAINS CONFIDENTIAL BUSINESS INFORMATION



NO.	REVISION	BY	APP'D	DATE	COMPANY:		
					CUSTOMER:		
					DRAWN	DATE	TITLE:
					JCHLLC	1/14/14	SS BADGER FWD STBD BLR SUB-MASTER W/ BIAS
					APP'D	DATE	
							DRWG NO.:

CONTAINS CONFIDENTIAL BUSINESS INFORMATION



NO.	REVISION	BY	APP'D	DATE	COMPANY:		
					CUSTOMER:		
					DRAWN	DATE	TITLE:
					JCHLLC	1/14/14	SS BADGER PLANT MASTER
					APP'D	DATE	
							DRWG NO.: