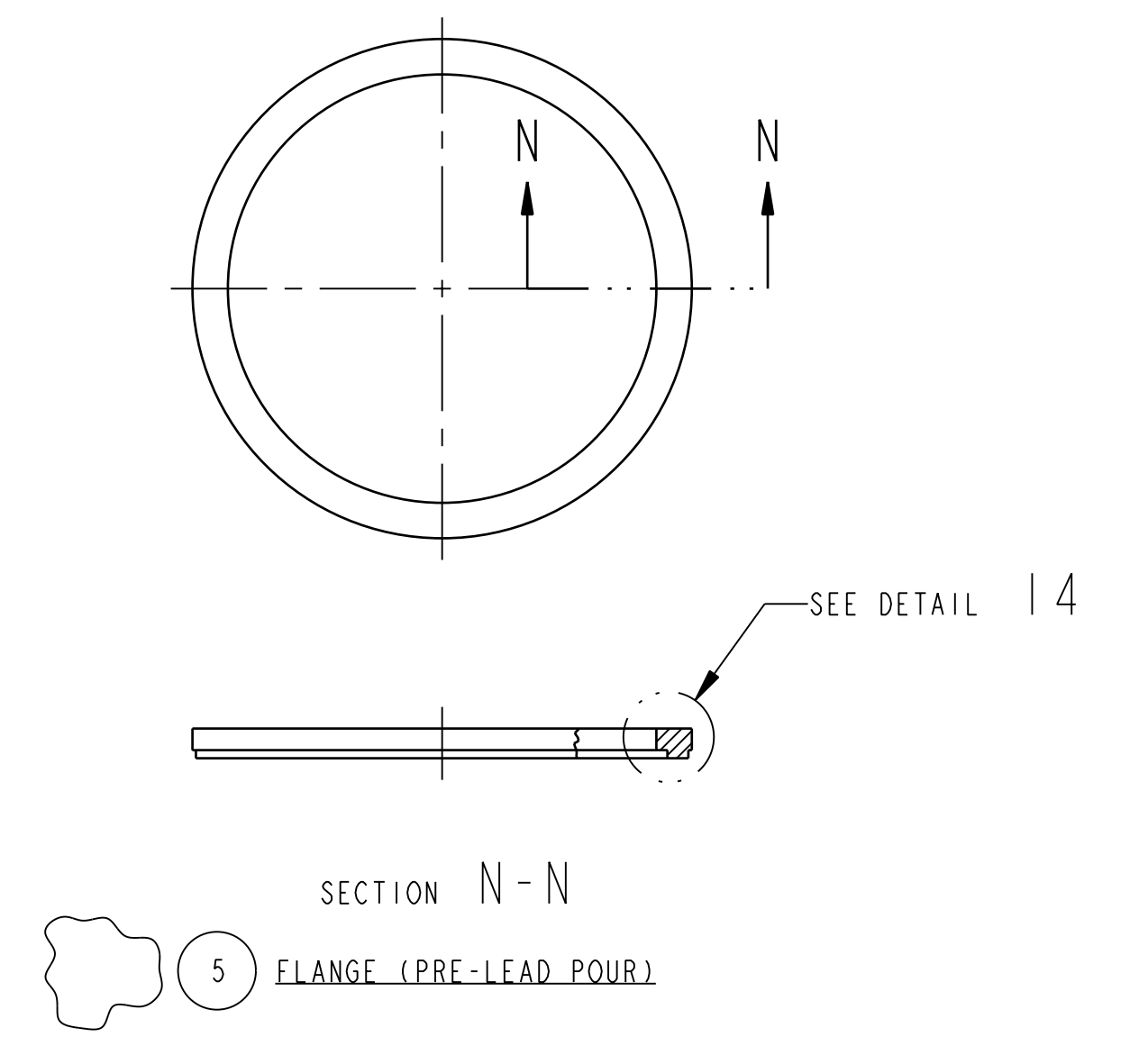
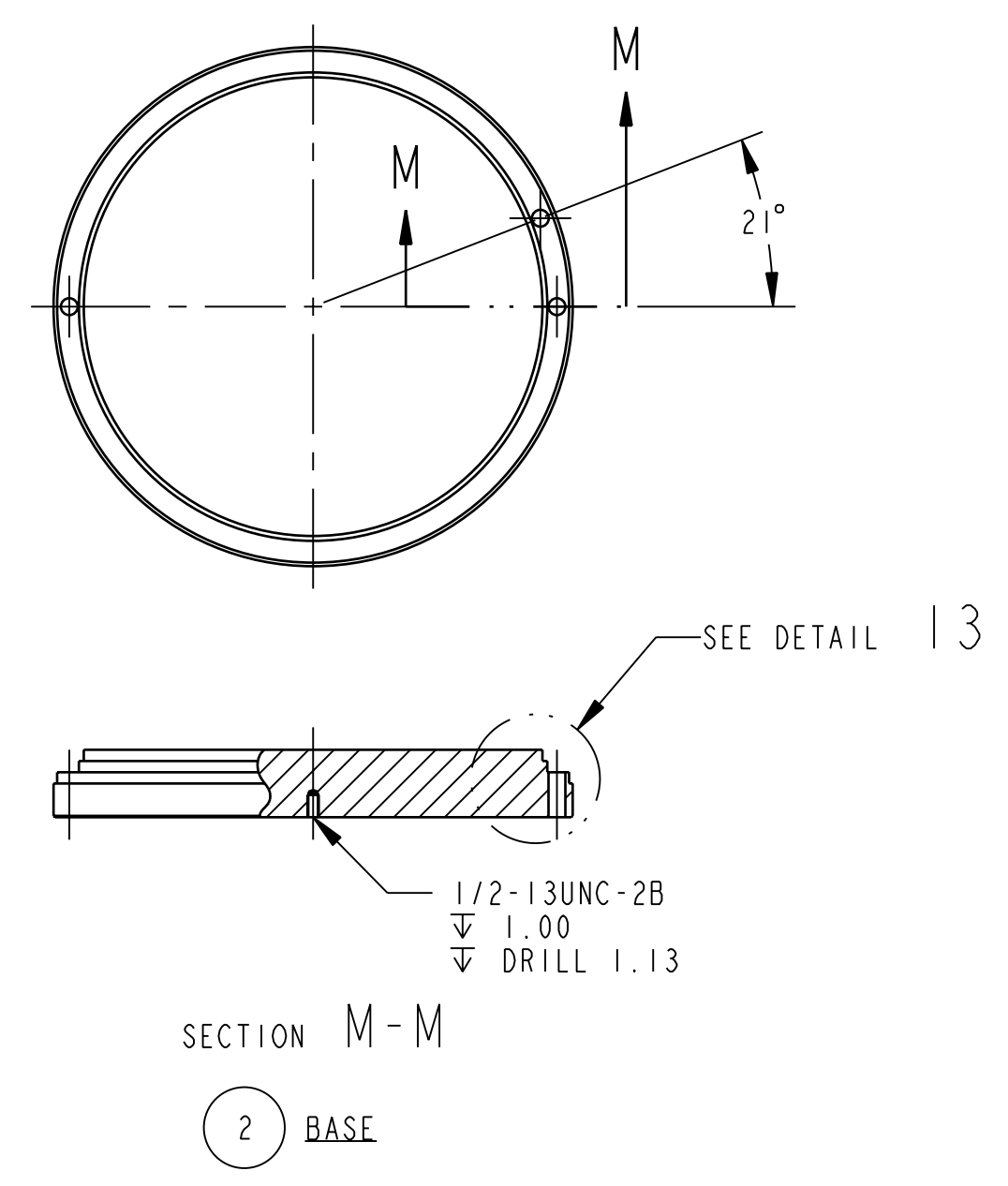
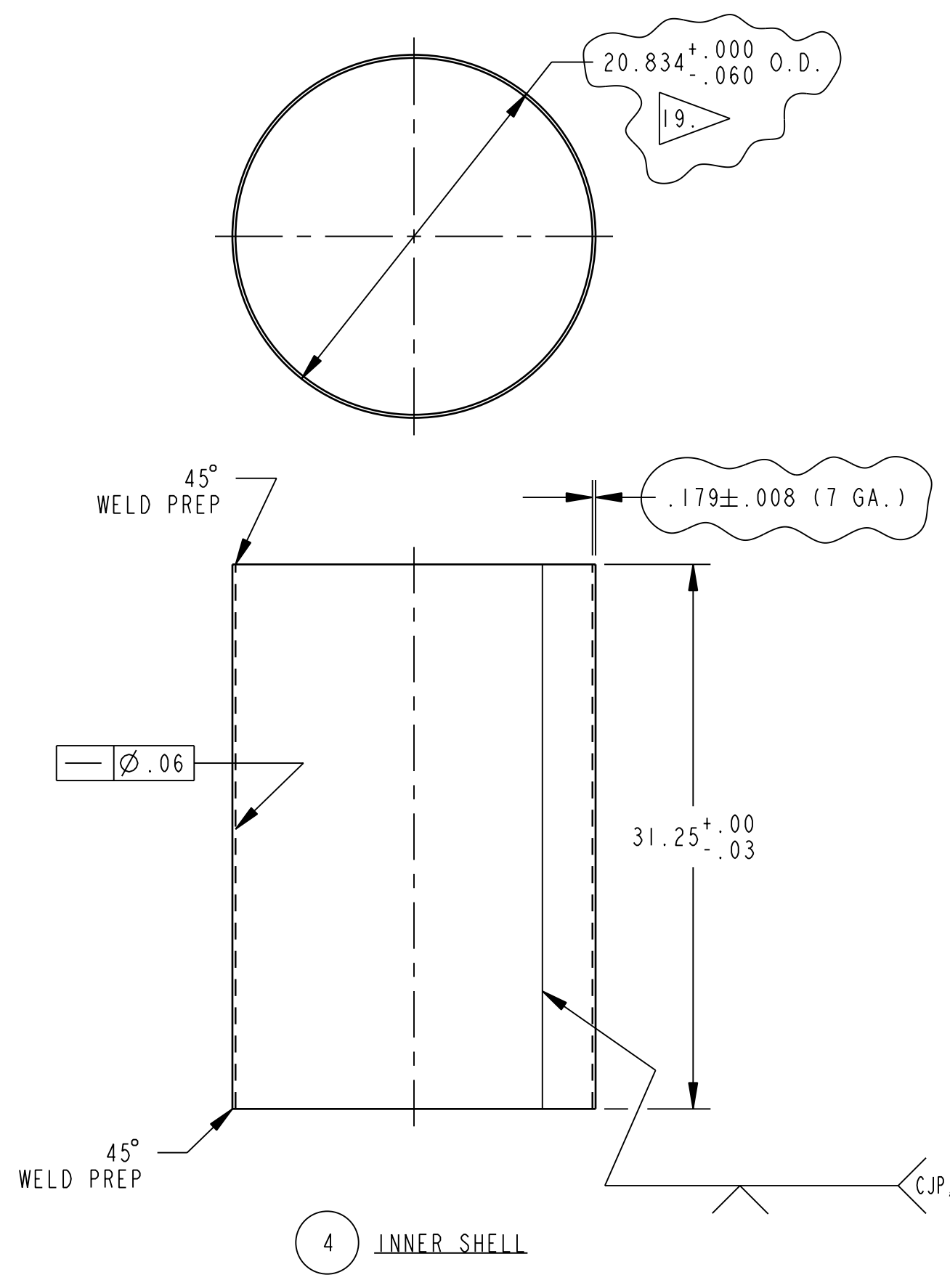
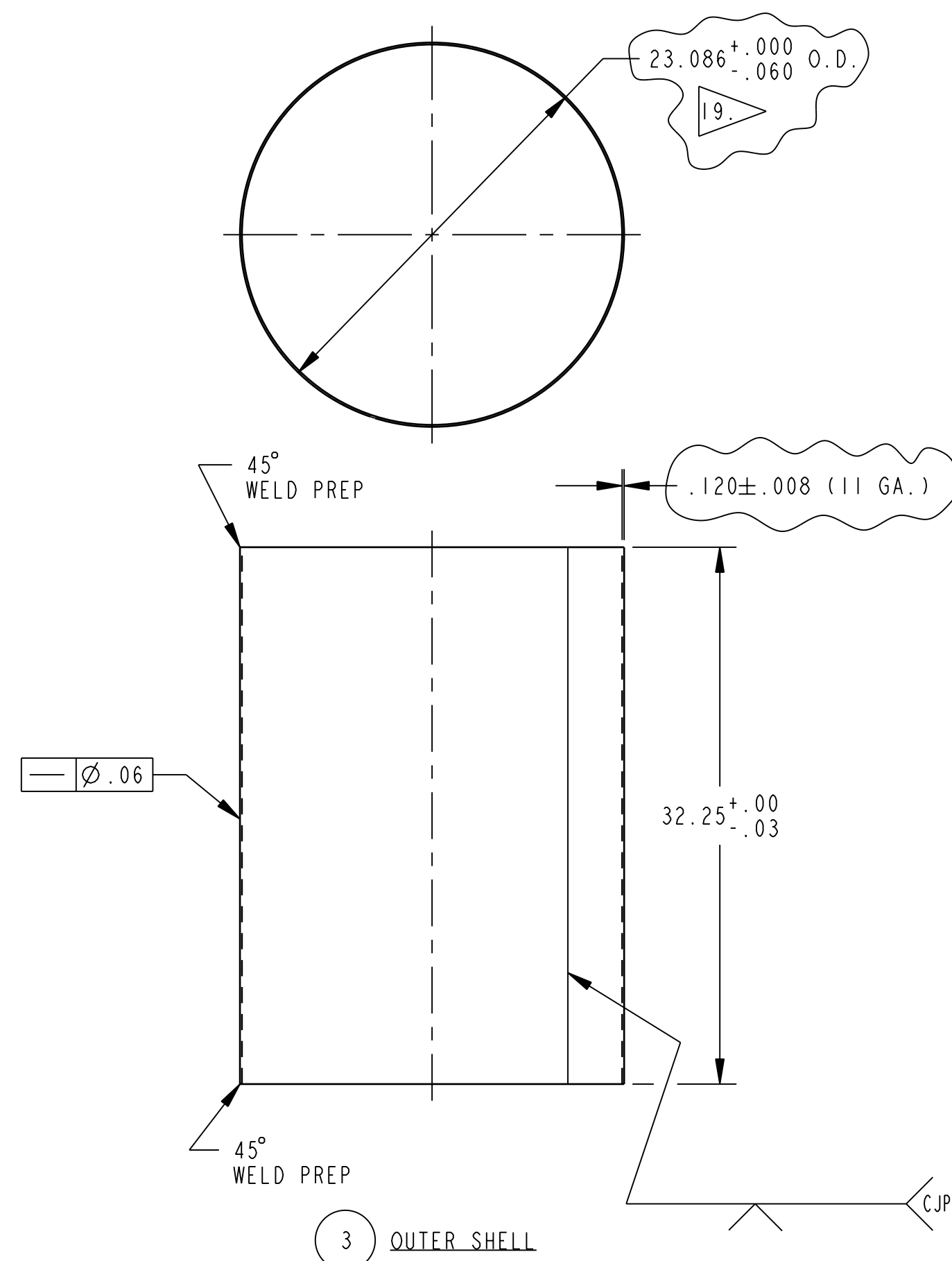
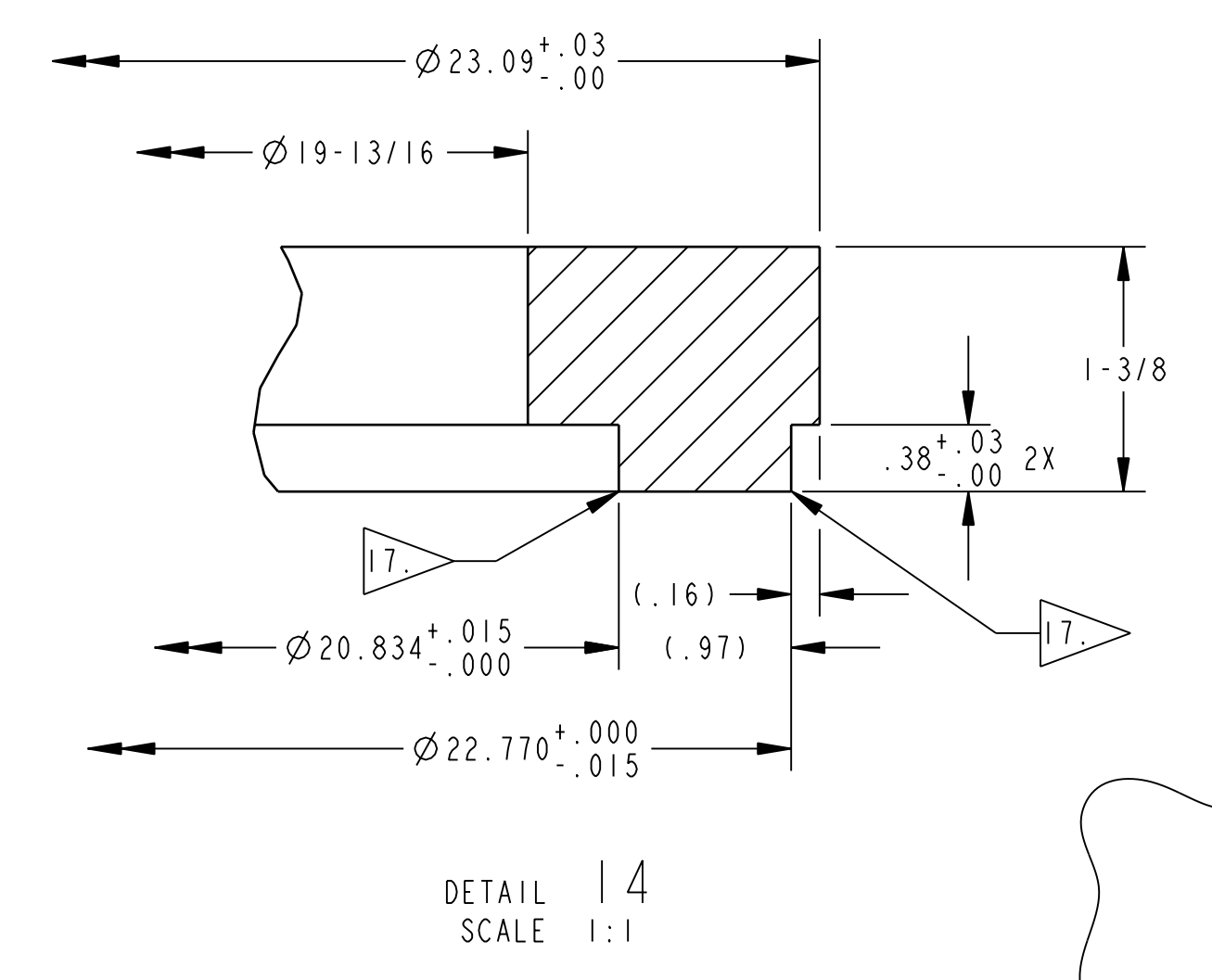
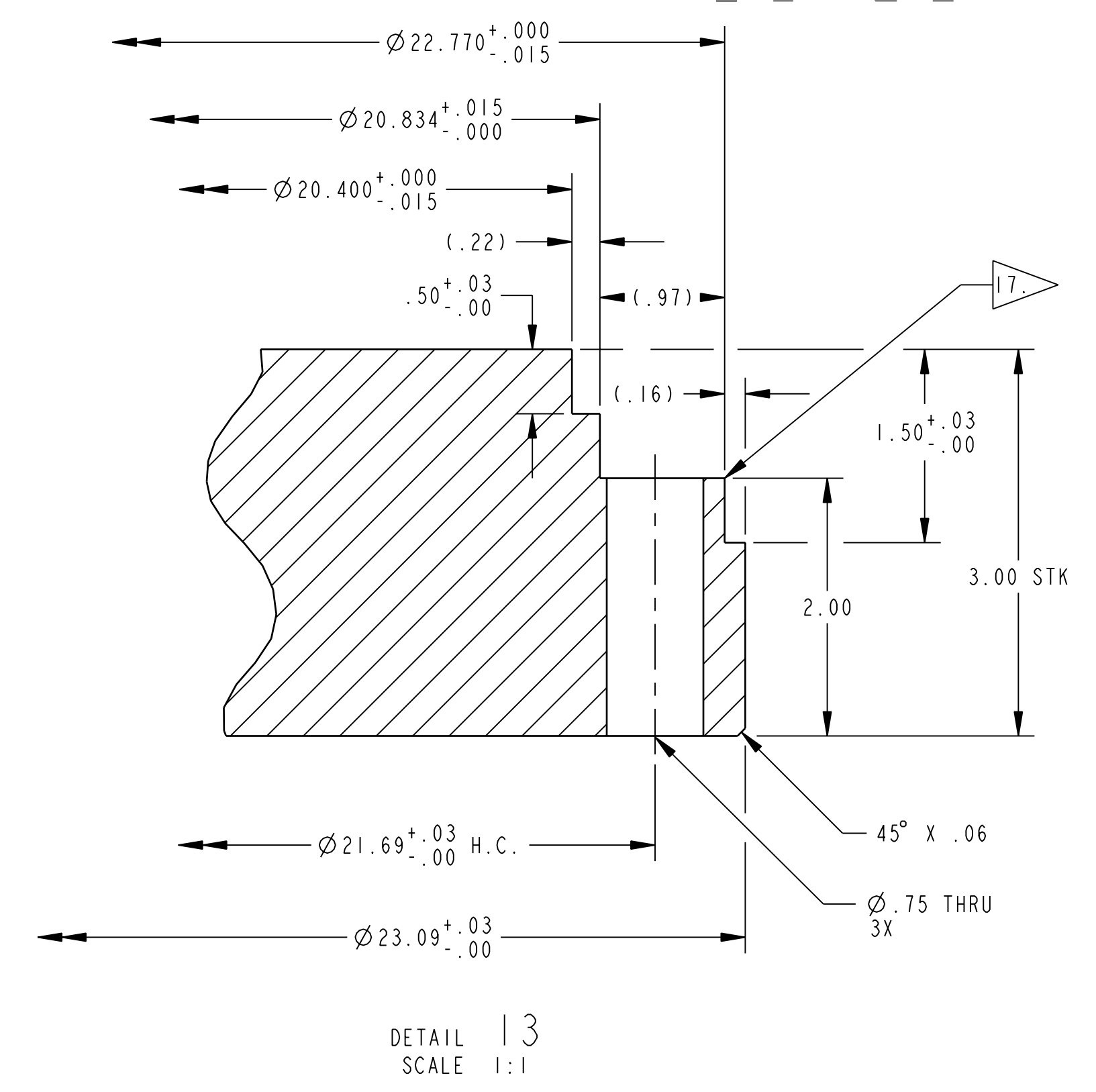


8 7 6 5 4 3 2

D
C
B
A



INFORMATION ONLY



DETAIL 14
SCALE 1:1

B	REVISED PER ADD. #2	JMN	BAD	TD	BB	11834	N/A
		6/12/08	6/12/08	6/12/08	6/16/08		
A	REVISED PER ADD. #1	JMN	BAD	TD	BB	11834	N/A
		9/13/07	9/14/07	9/14/07	9/14/07		
REV	ISSUE DESCRIPTION	DFTR	CHKR	COG	DFTG MGR	ECO	PWR
		DATE	DATE	DATE	DATE		

THIS DRAWING CREATED BY ENGINEERING CHANGE ORDER (ECO): 11834 PWR: N/A
 DFTR: J.M. NEVAREZ 7/18/07
 CHKR: B. DAY FOR RAJ 8/9/07
 COG: ANTHONY DONNER 8/9/07
 CM: TODD SELLMER 8/13/07
 QA: BRUCE G. FAULK 8/13/07
 U.S. DEPARTMENT OF ENERGY
Washington
 TRU Solutions LLC
 Waste Isolation Pilot Plant
 Carlisle, NM

DIM. IN INCHES U.N.O.		SFTY: N/A
[] DENOTES mm U.N.O.		APPD: N/A
UNLESS OTHERWISE SPECIFIED TOLERANCES		DM: BOB BEEMAN 8/13/07
2 PL DEC 3 PL DEC	ANGLES 125	
±.03	±.010	±.5°
FRACTIONS: ±1/16		DOE: N/A
CAD SOURCE		PRO/ENGINEER

INDEX CODE NUMBER				
SYSTEM	WBE	DWG TYPE	CL	VENDOR
PT03	165	01300	44	240

TITLE		SIZE SYS	DWG NO	REV
SHIELDED CONTAINER ASSEMBLY BODY PARTS (PRE-LEAD POUR)		D	PT03	B
SCALE: 1:8		INTERPRET DWG PER ANSI Y14		
THIS DRAWING TAKEN FROM: N/A		VENDOR: N/A		

8 7 6 5 4 3 2